

CDD User Guide



Copyright © 2025 Martin Audio Limited
Publication date 2025-12-15



Table of Contents

Introduction	5
CDD models	6
Models available	6
Accessories	7
Model descriptions	8
CDD5	8
CDD6	8
CDD8	8
CDD10	8
CDD12	8
CDD15	8
CDD coverage	9
Landscape or portrait	10
Grille removal	10
To rotate the driver	11
Badge rotation	11
Grille refitting	12
Connecting CDDs	13
To wire the connector	13
Cable specification	13
Impedance	14
70/100 V line versions	14
Weatherised connections	15
Marine connections	16
Where to mount CDDs	17
System design	17
EASE and EASE Focus files	17
3D SketchUp files	17
Revit family	17
DWG files	17
How to mount CDDs	19
Wall mounting	19
Ceiling mounting	19
Truss or scaffold bar mounting	19
Pole mounting	19
Flying	19
Summary of accessories	19
First and second fix	19
Wall mounting CDD	20
Wall mounting CDD5	20
Wall mounting CDD6, 8, 10, 12 and 15	24
Ceiling bracket mounting CDD	29
Landscape or portrait	29
First and second fix	29
Ceiling mounting CDD5	29
Ceiling mounting CDD6 or CDD8	31
Yoke mounting CDD	34
To mount a yoke on a ceiling or wall – first fix	34
To mount a yoke on a ceiling or wall – second fix	35

Truss mounting CDD	37
To mount CDD5 on truss	37
To mount CDD6 or CDD8 on truss	37
To mount CDD10, 12 or 15 on truss	37
Secondary safety cable	37
Pole mounting CDD	38
To mount CDD10, 12 or 15 on a pole	38
Flying CDD using eye bolts	39
Important safety note	39
Mounting options	39
Insert locations	39
To fly speakers in portrait	39
To fly cabinets in landscape	39
Recommended amplifiers	41
VIA amplifiers	41
iKON amplifiers	41
Amplifier compatibility	42
CDD5 amplifier compatibility	42
CDD6 amplifier compatibility	42
CDD8 amplifier compatibility	43
CDD10 amplifier compatibility	43
CDD12 amplifier compatibility	44
CDD15 amplifier compatibility	44
Amplifier compatibility legend	45
Amplifiers for 70/100 V systems	46
Other amplifiers	47
System controllers	48
DX4.0 and iKON amplifier presets	48
DX0.4 and DX0.6 presets	48
Using other controllers	48
Subwoofers	49
Subwoofer location	49
Weatherised CDDs	50
Marine CDDs	51
Cabinets	51
Fixings	51
Grille	51
Speaker components	51
Speaker cabling	51
CDD tilt and pan angles	52
CDD weights	54
CDD speaker weights	54
Specifications	55
CDD5 models	55
CDD5 specification	55
CDD6 models	56
CDD6 specification	56
CDD8 models	57
CDD8 specification	57
CDD10 models	58
CDD10 specification	58

CDD12 models	59
CDD12 specification	59
CDD15 models	60
CDD15 specification	60
Technical drawings of CDD speakers	61
CDD5 technical drawing	61
CDD6 technical drawing	62
CDD8 technical drawing	63
CDD10 technical drawing	64
CDD12 technical drawing	65
CDD15 technical drawing	66
Technical details of accessories	67
Wall bracket for CDD5	67
Wall bracket for CDD6 and CDD8	68
Wall spacer accessory kit	69
Wall bracket for CDD10 and CDD12	70
Wall bracket for CDD15	71
Ceiling bracket for CDD5	72
Ceiling bracket for CDD6 and CDD8	73
Landscape yoke for CDD10	74
Landscape yoke for CDD12	75
Landscape yoke for CDD15	76
CDD spare parts	77
CDD5 spare parts	77
CDD6 spare parts	77
CDD8 spare parts	77
CDD10 spare parts	78
CDD12 spare parts	78
CDD15 spare parts	78
Troubleshooting	79
Technical support	79
Service	79
Warranty	79

Introduction

The Martin Audio CDD Series delivers exceptional high-performance sound across a variety of venues, including pubs, bars, restaurants, retail premises, nightclubs, conference facilities, theatres, educational institutions, places of worship, museums, exhibition centres and cruise ships.

CDD speakers provide superior audio quality across a wide area, ensuring [consistent coverage throughout the entire venue \(page 9\)](#).

The cabinets are designed to be architecturally unobtrusive. The CDD5 has a rigid ABS moulded enclosure. The CDD6, 8 and 10 have rigid, moulded wood fibre polymer composite enclosures. This sustainable material, certified by FSC and ISCC, combines stiffness with excellent damping properties. The larger models, CDD12 and 15, feature rugged marine-grade birch plywood enclosures. Additionally, CDD8, 10, 12 and 15 include plywood baffles. All models have flush, acoustically transparent steel grilles. The enclosures are available in black (RAL 9005) or white (RAL 9016) as standard, with the option to order in any RAL colour.

The CDD range uses two-way, full-range co-axial drivers, incorporating Martin Audio's exclusive Differential Dispersion horn technology. The speakers have passive crossovers optimised for the drivers, eliminating the need for bi-amping. The crossover frequency is between 1.6 kHz and 2.5 kHz, depending on the model.

The [CDD range \(page 6\)](#) consists of six full-range units named after the driver size, from 5 inch up to 15 inch. For applications that require low frequency extension you can supplement the speakers with Martin Audio [subwoofers \(page 49\)](#). You can use the speakers individually or in multiples to suit a wide variety of applications. All CDD speakers (except the marine versions) have link connectors to allow daisy-chain wiring.

Special versions of the CDD5, 6, 8 and 10, known as TX models, are available for [70/100 V line operation \(page 14\)](#). These models include a high-quality tapped transformer and offer a choice of power settings, enabling use with 70 or 100 V line distribution systems. Such systems are commonly used for announcements and background music in office complexes, hotels and similar large buildings. Note that the TX versions of the CDD5 and 6 allow you to switch off the transformer for low impedance operation, whereas the TX versions of the CDD8 and 10 do not. For further details, see [70/100 V line versions \(page 14\)](#).

All CDD speaker sizes are available as [weather resistant \(page 50\)](#) and [marine grade versions \(page 51\)](#). Both of these versions have an IP rating of IP54, offering protection against dust and splashing water. Weather resistant versions are designed for outdoor locations with some shelter from direct exposure to the elements. Marine grade versions are intended for saltwater environments such as cruise ships and beach-side locations. They are also recommended for poolside installations, where chlorine and other chemicals may be present. Note that we have not conducted specific testing for chlorine exposure.

We have a wide range of CDD installation [accessories \(page 67\)](#), allowing you to [mount the speakers on walls, ceilings, truss, scaffold bars or poles \(page 19\)](#). The mounting hardware is suitable for [first and second fix \(page 19\)](#) construction-industry conventions. For the three largest models, the CDD10, 12 and 15, we offer [landscape yokes \(page 34\)](#), or you can fly these speakers using [eye bolts \(page 39\)](#).

This user guide provides details of the CDD features and options. It also includes installation instructions for the various mounting options.

CDD models

The CDD range consists of six full-range systems:

Model	LF driver	HF driver	LF –3dB point	Power rating
CDD5	5" (125 mm)	0.7" (19 mm)	100 Hz	100 W
CDD6	6.5" (165 mm)	1" (25 mm)	80 Hz	150 W
CDD8	8" (200 mm)	1" (25 mm)	70 Hz	200 W
CDD10	10" (250 mm)	1" (25 mm)	65 Hz	250 W
CDD12	12" (300 mm)	1" (25 mm)	62 Hz	300 W
CDD15	15" (380 mm)	1.4" (35 mm)	55 Hz	400 W

Models available

	CDD5 and 6	CDD8 and 10	CDD12 and 15
Black	Yes	Yes	Yes
White	Yes	Yes	Yes
RAL (to order)	Yes	Yes	Yes
Weatherised black		Yes	Yes
Weatherised white		Yes	Yes
Marine black		Yes	Yes
Marine white		Yes	Yes
70/100 V line black		Yes ¹	
70/100 V line white		Yes ¹	
70/100 V line RAL (to order)	Yes ²		
Weatherised 70/100 V line black	Yes ²	Yes ¹	
Weatherised 70/100 V line white	Yes ²	Yes ¹	
Marine 70/100 V line black	Yes ²	Yes ¹	
Marine 70/100 V line white	Yes ²	Yes ¹	

¹With 70/100 V line CDD8 and 10, you cannot switch off the transformer.

²With 70/100 V line CDD5 and 6, you can switch off the transformer.

- CDD5 and 6 are priced individually but sold and packaged in pairs.
- CDD8, 10, 12 and 15 are priced, sold and packaged individually.
- For full details, see [Specifications \(page 55\)](#).
- For drawings, see [Technical drawings of CDD speakers \(page 61\)](#).

Accessories

	CDD5	CDD6 and 8	CDD10 and 12	CDD15
Wall bracket in black	Yes ¹	Yes	Yes	Yes
Wall bracket in white	Yes ¹	Yes	Yes	Yes
Wall bracket in RAL		Yes	Yes	
Marine wall bracket in black		Yes	Yes	
Marine wall bracket in white		Yes	Yes	
Ceiling bracket in black	Yes	Yes		
Ceiling bracket in white	Yes	Yes		
Landscape yoke in black			Yes	Yes
Landscape yoke in white			Yes	Yes
Eye bolts for flying			Yes	Yes

¹CDD5 wall brackets are supplied with the speakers.

- All these accessories are weatherised for outdoor use.
- For mounting details, see [How to mount CDDs \(page 19\)](#).
- For specifications, see [Technical details of accessories \(page 67\)](#).



To attach CDD loudspeakers to truss or scaffold bars, use a ceiling bracket (for CDD5, 6 and 8) or landscape yoke (for CDD10, 12 and 15), in combination with a third-party truss clamp or other suitable mounting hardware. For details, see [How to mount CDDs \(page 19\)](#).

Model descriptions

CDD5

The CDD5 is a compact, two-way passive micro speaker designed for discreet positioning in architectural installations such as bars, museums, foyers, concourses, exhibition centres and houses of worship. It features a unique, patent-protected 5" (125 mm) LF and 0.7" (19 mm) HF Coaxial Differential Dispersion driver housed in a durable ABS moulded enclosure. Each CDD5 is supplied with an omni-directional wall bracket.

CDD5 is priced individually but sold and packaged in pairs.

For further information, see [CDD5 specification \(page 55\)](#).

CDD6

The ultra-compact CDD6 is a two-way passive loudspeaker system designed to meet the requirement for full-frequency dynamic performance from a very small enclosure. Featuring a 6.5" (165 mm) LF and 1" (25 mm) HF Coaxial Differential Dispersion driver, the compact size and sleek lines make it ideal for visibly unobtrusive applications. You can also use the CDD6 as a fill system in conjunction with larger CDD Series models. With the addition of an SX subwoofer, it can produce surprisingly high levels of music program.

CDD6 is priced individually but sold and packaged in pairs.

For further information, see [CDD6 specification \(page 56\)](#).

CDD8

The CDD8 is an ultra-compact two-way passive loudspeaker system with an integrated 8" (200 mm) LF and 1" (25 mm) exit HF Coaxial Differential Dispersion driver. Despite its small size, it boasts impressive output capability. As a stand-alone loudspeaker, it serves a multitude of applications and can also be used as an infill loudspeaker in distributed systems alongside larger CDD models, such as the CDD12 and CDD15.

CDD8 is priced, sold and packaged individually.

For further information, see [CDD8 specification \(page 57\)](#).

CDD10

The CDD10 is a highly compact two-way passive loudspeaker system featuring a 10" (250 mm) LF and 1" (25 mm) exit HF Coaxial Differential Dispersion driver. It is uniquely placed to meet the foreground requirements of music bars and clubs, as well as varied architectural applications that require prominent sound levels from a compact enclosure. When combined with an SX subwoofer, the CDD10 provides a small dancefloor system that is remarkably powerful for its size.

CDD10 is priced, sold and packaged individually.

For further information, see [CDD10 specification \(page 58\)](#).

CDD12

The CDD12 is a versatile compact, passive two-way system designed for installations that require high output levels. The high-specification 12" (300 mm) LF and 1" exit HF Coaxial Differential Dispersion driver ensures perfect sound across the audience at medium-throw distances.

CDD12 is priced, sold and packaged individually.

For further information, see [CDD12 specification \(page 59\)](#).

CDD15

Ideal for medium-to-large rooms, the CDD15 is a high-power, passive two-way system designed for installations that demand exceptional sonic performance from a single enclosure. It combines high output capability with exceptional fidelity and coverage consistency. Its coaxial drive unit comprises a powerful 15" (380 mm) with 3" (75 mm) voice coil LF driver and a 1.4" (35 mm) exit HF compression driver with a 3" (75 mm) pure titanium diaphragm.

CDD15 is priced, sold and packaged individually.

For further information, see [CDD15 specification \(page 60\)](#).

CDD coverage

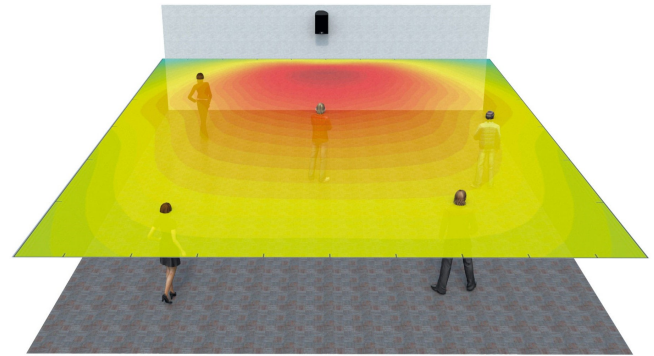
CDD loudspeakers feature Martin Audio's unique, patent-pending Coaxial Differential Dispersion™ technology. CDD systems augment the 'point-source' benefits of coaxial drivers with the consistency of coverage of Differential Dispersion technology.

Non-coaxial systems can suffer from uneven frequency response in the crossover region because of interference between the LF and HF sections; depending on the listening position, this causes off-axis variations, particularly close to the loudspeaker. In contrast, coaxial systems aim to sum LF and HF contributions at all positions off-axis, even close-up.

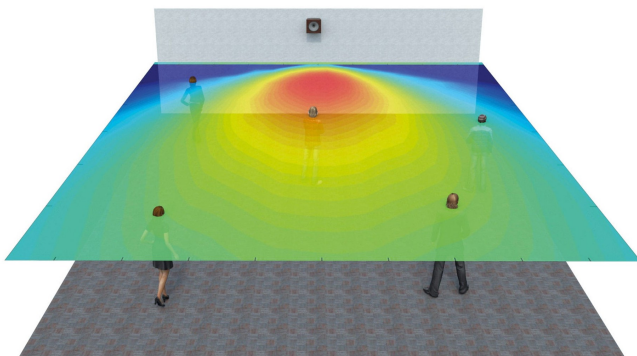
A disadvantage of conventional coaxial devices can be HF beaming, where the HF dispersion reduces at higher frequencies. This is primarily because the HF energy emerges through a narrow tube in the pole-piece of the magnet system. CDD Series coaxial devices overcome this using a static waveguide that merges seamlessly with the unique cone shape. This maintains the dispersion pattern even at very high frequencies.

A Differential Dispersion horn has a trapezoidal dispersion pattern in both vertical and horizontal planes which covers the target area more evenly than a system with a conventional, fixed dispersion type horn. With a conventional horn, the speaker is usually placed above head height and aimed towards the centre of the audience. This produces an imperfect coverage pattern that misses out some areas, particularly side areas close to the loudspeaker.

all corners of the audience area, while achieving wide horizontal coverage close to the loudspeaker.



CDD coverage

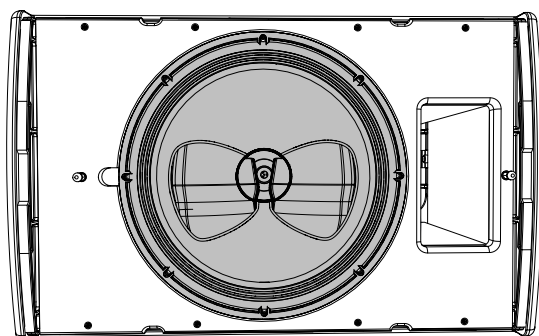
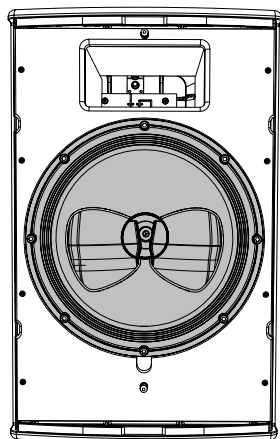


Conventional coverage

In contrast, the Coaxial Differential Dispersion system produces a rectangular coverage pattern extending to

Landscape or portrait

You can install CDDs in landscape or portrait. However, you must orient the CDD coaxial driver as shown below, with the “butterfly wings” biased towards the bottom of the enclosure.



We supply CDD speakers ready for installation in portrait.

- To install in landscape, rotate the coaxial driver through 90°.
- To install in upside-down portrait, rotate the coaxial driver through 180°.

If you mount a speaker with the wrong driver orientation, the speaker won't give adequate coverage and won't perform properly.



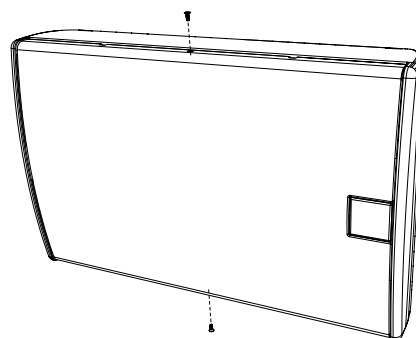
As a reminder of the correct driver orientation, there is a diagram on the rear of the cabinet.

Grille removal

The CDD loudspeakers have a sprung grille that clips into slots on the sides of the cabinet, making it quick and easy to remove.

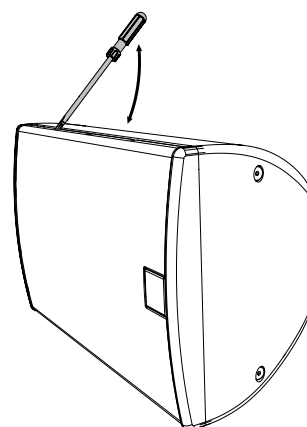
To remove the grille

1. Place the speaker on a suitable surface.
2. For CDD10, 12 or 15, remove the two screws that hold the grille in place.



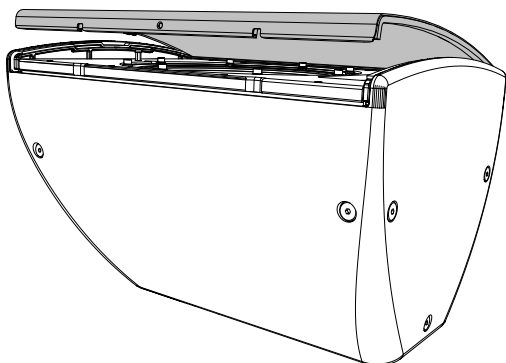
For CDD5, 6 or 8, there are no screws to undo.

3. Insert an appropriately sized flat-bladed screwdriver into one of the two gaps at the side of the grille.

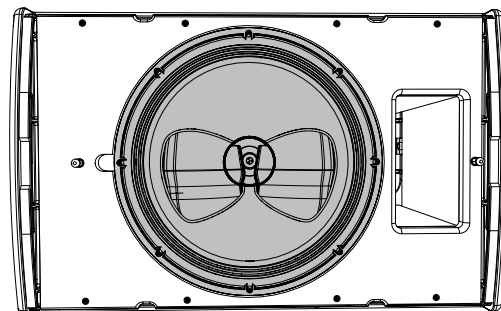


4. Gently push the handle down slightly to ease the grille out of the slot.
5. Lift the handle slightly to ease the grille forward so that it doesn't clip straight back into the slot.

- Repeat this process with the second gap and ease the grille out of the slot all the way up one side of the cabinet. The grille should now pop out of the slot.

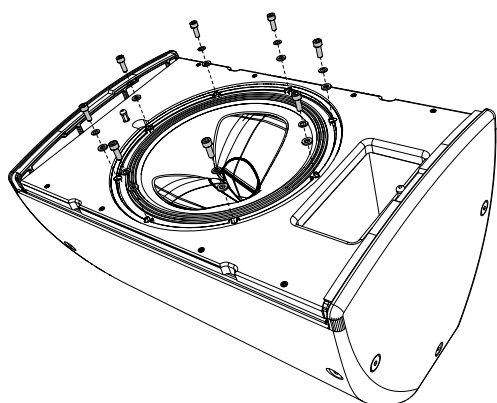


For landscape, rotate the driver by 90°. Note that you can put the flat side of the speaker (the top) to the left or right and which you choose changes the maximum pan angles to the left and right. For details, see [CDD tilt and pan angles \(page 52\)](#).

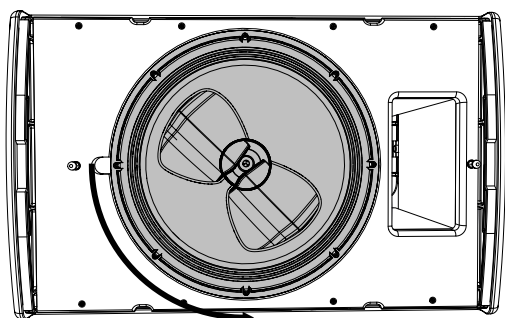


To rotate the driver

- Remove the grille ([page 10](#)).
- Remove the screws securing the driver to the baffle board using a No. 2 Pozidriv screwdriver.



- Carefully lift out the driver assembly and rotate it.



For upside-down portrait, rotate the driver by 180°.

- Refit the screws removed in step 2.
- For landscape, rotate the badge. For details, see [Badge rotation \(page 11\)](#).

For upside-down portrait, rotate the grille. You don't need to rotate the badge.

- Replace the grille. For details, see [Grille refitting \(page 12\)](#).

Badge rotation

We supply CDD speakers with the Martin Audio badge in portrait mode. To install in landscape, you need to rotate the badge by 90°. To install in upside-down portrait, you just rotate the grille; there is no need to rotate the badge.

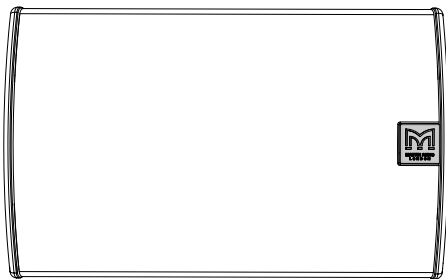
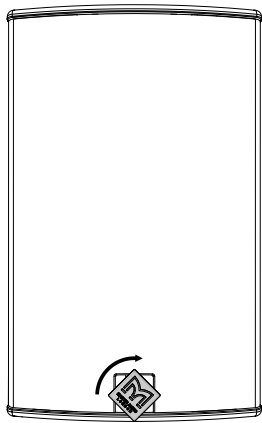
- For CDD5, 6 and 8, you need to remove the badge to rotate it.
- For CDD10, 12 and 15, you can rotate the badge while it is held in place.

To rotate the badge for CDD5, 6 or 8

- Remove the grille. For details, see [Grille removal \(page 10\)](#).
- Push down on the mounting spigot on the back of the grille until the badge pops out. You may need to press with a screwdriver handle or something similar.
- Rotate the badge and push it back firmly so that it won't fall out later.

To rotate the badge CDD10, 12 and 15

1. Remove the grille. For details, see [Grille removal \(page 10\)](#).
 2. Push the spigot on the back of the badge so that the badge lifts.
 3. Rotate the badge and release the spigot so that the badge settles back in place.
 4. Once you've installed the speaker, remove the plastic scratch-protection film from the badge.
3. Make sure that the grille is engaged in the slot by pushing the edge of the grille back starting at the top or bottom. You may need to do this a little at a time, working down the length of the grille until it pops into place.
 4. For CDD10, 12 or 15, replace the two screws that hold the grille in place.



Grille refitting

This is the reverse of the grille removal process.

To refit the grille

1. Insert one side of the grille into the slot on one side of the cabinet. Make sure the grille is completely engaged in the slot.
2. Push the front of the grille with the flat of your hand so that the other edge of the grille clips into place.

Connecting CDDs

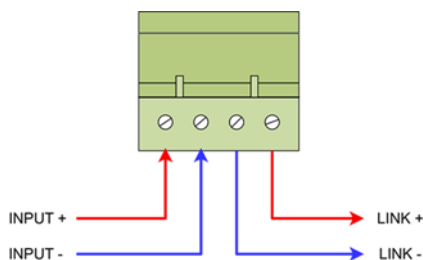
All CDDs (except CDD8-TX, CDD10-TX and marine models) have a pluggable low-profile four-pole Euroblock (Phoenix-style) connector with screw terminals. This is mounted on a recessed rear panel, ensuring a neat wiring job with no protruding connectors.

- For CDD5, 6 and 8, this is a 12 A connector that accepts cables up to 2.5 mm² (replacement part PCX00006).
- For CDD10, 12 and 15, this is a 20 A connector that accepts cables up to 4.0 mm² (replacement part PCX00008).

If you are using [first and second fix \(page 19\)](#) stages, wire the cables to the connectors at first fix and install the speakers and plug in the connectors at second fix.

To wire the connector

1. With the speaker in portrait, hold the lower section of the connector (the part that sticks out from the rear panel) and ease it downwards until it unplugs from the upper section.



2. Wire the speaker cable to the connector using the two screw fittings on the left:
 - Connect positive from the amplifier to the leftmost pin (labelled **INPUT +**).
 - Connect negative from the amplifier to the second pin (labelled **INPUT -**).
3. To daisy-chain the amplifier output to further speakers on the same circuit, use the two screw fittings on the right:
 - Connect negative for the next speaker to the third pin (labelled **LINK -**).
 - Connect positive for the next speaker to the rightmost pin (labelled **LINK +**).
4. Plug the connector back into the speaker.

Cable specification

Use high-quality, fine-stranded two-core speaker cable. The cable jacket specification depends on the installation type, the application and local regulations. For example, some installations may require low smoke hazard cables.

The recommended cable gauge depends on both the length of the cable and the power handling of the speakers. For all but the smallest CDD models, we recommend the following:

- For cable runs up to 30 m (98 ft), use 2.5 mm² or larger.
- For cable runs over 30 m (98 ft), use 4.0 mm² or larger.

For high-power speakers or very long runs, consider 6.0 mm² cable to reduce power loss and maintain audio quality.

As mentioned above, CDD5, 6 and 8 connectors accept cables up to 2.5 mm² and CDD10, 12 and 15 connectors accept cables up to 4.0 mm². Also note that for weatherised models (and marine CDD5 and CDD6), there are cable diameter limits:

- For weatherised and marine CDD5 and CDD6, the cable gland supports cables with diameters from 6 mm to 10 mm (0.24 to 0.39 inches).
- For weatherised CDD8, 10, 12, and 15, the cable gland supports cables with diameters from 4.5 mm to 10 mm (0.18 to 0.39 inches).



You may need to step down the cable gauge near the speaker if the connector cannot accept the larger size. For weatherised models, you may need to step down because of the cable gland size.

Impedance

All CDDs, except the [70/100 V line \(TX\) models \(page 14\)](#), have a nominal impedance of 8 ohms.

- CDD5-TX and CDD6-TX: You can switch off the transformer to set the nominal impedance to 8 ohms.
- CDD8-TX and CDD10-TX: You cannot switch off the transformer, so you cannot use these models in low-impedance mode.

70/100 V line versions

For constant-voltage systems, we offer 70/100 V line versions of CDD5, 6, 8 and 10, but not CDD12 and 15. These versions contain a transformer and we refer to them as TX versions:

- CDD5-TX
- CDD6-TX
- CDD8-TX
- CDD10-TX

With the 70/100 V line versions of CDD, you need to choose the required power rating at each speaker:

- For standard, weatherised and marine CDD5-TX and CDD6-TX, use the [rotary switch behind the grille \(page 14\)](#).
- For standard and weatherised CDD8-TX and CDD10-TX, use the [connections at the back \(page 15\)](#).
- For marine CDD8-TX and CDD10-TX, use the [colours of the cable wires at the back \(page 16\)](#).

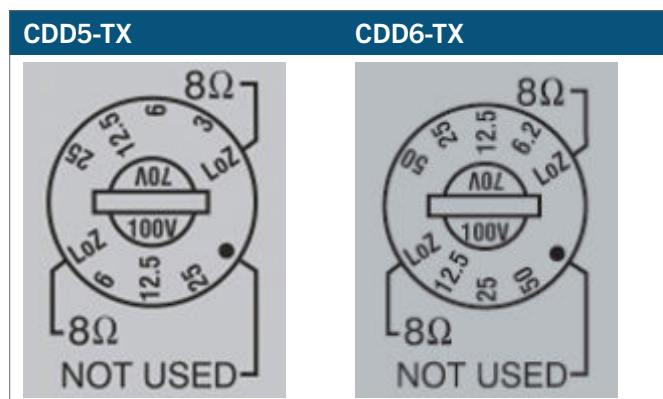
For details of amplifiers for 70/100 V systems, see [Amplifiers for 70/100 V systems \(page 46\)](#).

Note that high levels of low-frequency signals can cause transformer core saturation, and this can cause distortion and sound unpleasant. If you are driving 70/100 V line loudspeakers with bass-heavy programme material at high levels, we strongly recommend that you include a high-pass filter in the signal path. Many industrial power amplifiers designed for 70/100 V line operation have selectable fixed filters for this purpose. If your amplifiers don't have these, you can add them using a system controller such as the Martin Audio DX4.0, DX0.4 or DX0.6.

For details of system controllers, see [System controllers \(page 48\)](#).

To choose the power rating for CDD5-TX and CDD6-TX

1. [Remove the grille \(page 10\)](#).
2. Rotate the power rating switch to choose the power rating. The switches and power ratings are shown in the tables below.
3. Replace the grille.



CDD5-TX

Position	70 V line	100 V line	Notes
1	LoZ	LoZ	Low impedance (8 ohm)
2	3 W	6 W	
3	6 W	12.5 W	
4	12.5 W	25 W	
5	25 W	Not used	

CDD6-TX

Position	70 V line	100 V line	Notes
1	LoZ	LoZ	Low impedance (8 ohm)
2	6.2 W	12.5 W	
3	12.5 W	25 W	
4	25 W	50 W	
5	50 W	Not used	

Power rating for standard and weatherised CDD8-TX and CDD10-TX

The 70/100 V line versions CDD8 and 10 (standard and weatherised) have a five-pin Phoenix Contact PCB terminal block at the back. This terminal block has five

push-in spring connections, and you use these to select the power rating.



To choose the power rating for standard and weatherised CDD8-TX and CDD10-TX

1. Connect negative from the amplifier to the leftmost connection position (labelled COM). Use the top row of connections (labelled IN).
2. Connect positive from the amplifier to the connector position that corresponds to the power required, as shown in the following table:

Connector	70 V line	100 V line
1	Negative	Negative
2	15 W	30 W
3	30 W	60 W
4	60 W	120 W
5	120 W	Not used



You can't select low impedance (8 ohm) with CDD8-TX and CDD10-TX (standard, weatherised or marine).

To daisy-chain other speakers, use the lower row of connectors (labelled LINK).

Power rating for marine CDD8-TX and CDD10-TX

For details, see [Marine connections \(page 16\)](#).

Weatherised connections

Weatherised CDD speakers (and marine CDD5 and CDD6) are fitted with a weatherproof connector cover and cable gland to protect the connector block. If you are daisy-chaining these cabinets, you can use the knockout hole on the right to install a second gland.



To maintain the enclosure's IP rating, the second gland must be the same type and size as the pre-fitted gland.

Note that you can't turn a standard CDD speaker into a weatherised CDD by adding a connector cover. This is because the weatherised CDDs have various other factory-fitted weather proofing components. For details, see [Weatherised CDDs \(page 50\)](#).

Cable sizes

For details of cable diameter limits due to cable glands, see the section [cable specification \(page 13\)](#).

To connect weatherised CDD speakers (and marine CDD5 and CDD6)

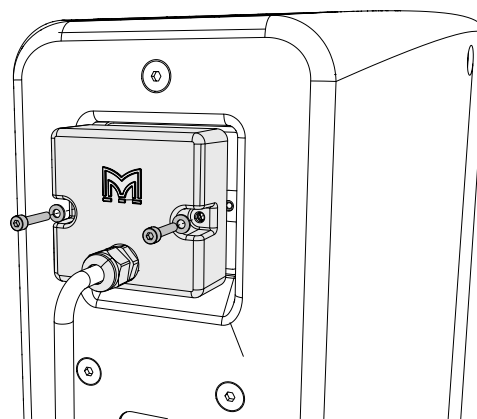
1. Remove the hex-head screws that hold the cover in place.

For weatherised and marine CDD5 and CDD6, the cover has three screws and the cable gland is positioned for vertical cable entry. The cover for CDD6 is larger than the one for CDD5.

For weatherised CDD8, 10, 12 and 15, the cover has two screws and the cable gland is positioned for rearward cable entry. CDD10, 12 and 15 use the same cover, which is larger than the one for CDD8.

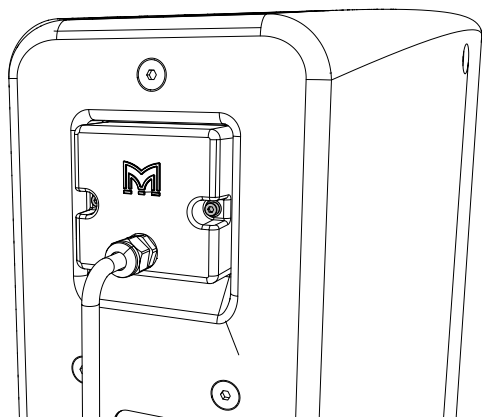


For part numbers for replacement covers, see [Specifications \(page 55\)](#).



2. Remove the cover. Take care not to damage the gasket that seals the cover against the rear panel.
3. Loosen the cable clamp nut and pass the cable through the cable gland.
4. Connect the cable to the input terminals. For details, see [Connecting CDDs \(page 13\)](#).

5. To daisy-chain to another speaker, remove the knockout, fit a second gland and connect the second cable to the link terminals. For details, see [Connecting CDDs \(page 13\)](#).
6. Refit the cover.



Marine connections

The cabling for [marine CDD \(page 51\)](#) speakers depends on the model (all marine models shown below):

Model	Factory fitted cable
CDD5TX-MAR	No
CDD6TX-MAR	No
CDD8-MAR	Two-core 2.5 mm ² cable
CDD8TX-MAR	Five-core 1.5 mm ² cable
CDD10-MAR	Two-core 2.5 mm ² cable
CDD10TX-MAR	Five-core 1.5 mm ² cable
CDD12-MAR	Two-core 2.5 mm ² cable
CDD15-MAR	Two-core 2.5 mm ² cable

CDD5TX-MAR and CDD6TX-MAR

Unlike other marine CDD models, these do not have a factory-fitted cable. These models have the same connectors and connector covers as the weatherised CDD5 and CDD6. For connection instructions, see [Weatherised connections \(page 15\)](#).

To choose the power rating use the [rotary switch behind the grille \(page 14\)](#).

To daisy chain these models see [Weatherised connections \(page 15\)](#).

CDD8TX-MAR and CDD10TX-MAR

These models have a factory-fitted five-core 1.5 mm² cable at the back. Each wire is a different colour.

- Connect **negative** from the amplifier to **black**.
- Connect **positive** from the amplifier to the wire colour that matches the desired power rating, as shown in the following table:

Colour	70 V line	100 V line
Black	Negative	Negative
White	15 W	30 W
Blue	30 W	60 W
Brown	60 W	120 W
Grey	120 W	Not used

To daisy chain these models use external connectors.

CDD8-MAR, CDD10-MAR, CDD12-MAR and CDD15-MAR

These models have a factory-fitted two-core 2.5 mm² cable at the back, with brown and blue wires:

- Connect **positive** from the amplifier to **brown**.
- Connect **negative** from the amplifier to **blue**.

To daisy chain these models use external connectors.

Selecting the power rating for marine TX models

Model	Power selection	Low impedance available
CDD5TX-MAR	Rotary switch behind grille	Yes
CDD6TX-MAR	Rotary switch behind grille	Yes
CDD8TX-MAR	Cable connection	No
CDD10TX-MAR	Cable connection	No

Where to mount CDDs

We advise you to mount CDD loudspeakers:

- Above head height.
- High enough to give clear coverage.
- Low enough to avoid over-exciting room resonances.
- Away from corners whenever possible.
- Away from each other.
- With [tilt angles \(page 52\)](#) set to aim the loudspeakers at the furthest listener across the room.

Remember that the horizontal dispersion of CDD Series speakers produces an approximately [square coverage pattern \(page 9\)](#).



Don't place CDD speakers next to one another, as there's likely to be overlap in the coverage leading to unwanted comb filtering.

System design

To design your system and decide on the best positions for speakers and subs, we recommend Martin Audio **Display 3** software, which we provide as a free download from our website.

Display 3 allows you to model your space and experiment with various system configurations and speaker positions. Display 3 predicts the performance of your experimental configurations, allowing you to optimise the performance of your system at the design stage.

To download Display 3

1. Visit our website martin-audio.com.
2. Select **Support > Software/Firmware**.
3. Scroll to **Display 3** and click **Download**.

EASE and EASE Focus files

You can model CDD in EASE, EASE Focus or other modelling software by downloading ZIP files of high-resolution GLL and CLF files. These files are available as free downloads from our website.

Two sets of GLL files are available: one for EASE and another for EASE Focus.

Note that we recommend using **Display 3** rather than EASE or EASE Focus.

To download GLL and CLF files

1. Visit our website martin-audio.com.
2. Select **Support > GLL and CLF Data**.

3D SketchUp files

You can model CDD in **SketchUp** by downloading the 3D SketchUp files, available as free downloads from our website.

To download 3D SketchUp files

1. Visit our website martin-audio.com.
2. Select **Products > Product List** and click on the appropriate speaker.
3. Select the **Technical drawings & 3D models** section and click **SKP-BLACK** or **SKP-WHITE**.
4. To download SketchUp files for accessories, select the **Accessories** section and click **SKP-B** or **SKP-W**.

Revit family

For modelling CDD in Revit, we provide a CDD Revit family as a free download.

To download the Revit family

1. Visit our website martin-audio.com.
2. Select **Products > Product List** and select any of the CDD speakers.
3. Select the **Technical drawings & 3D models** section and click **REVIT FILE**.

DWG files

You can view the CDD technical drawings in CAD software such as AutoCAD by downloading the DWG files. These are available as free downloads from our website. You could, for example, use these files to measure the distances between flying points on the cabinets.

To download DWG files

1. Visit our website martin-audio.com.
2. Select **Products > Product List** and click on the appropriate speaker.
3. Select the **Technical drawings & 3D models** section and click **DWG**.
4. For DWG files for accessories, select the **Accessories** section and click **DWG**.

How to mount CDDs

CDD loudspeakers can be mounted on walls, ceilings, truss or scaffold bars. In addition, the CDD10, 12 and 15 can be mounted on poles or flown using eye bolts.

Wall mounting

- To mount CDD5, 6 or 8 on a wall, use a [wall bracket \(page 20\)](#). With a wall bracket, you can install in either portrait or landscape.
- To mount CDD10, 12 or 15 on a wall, use either a [wall bracket \(page 20\)](#) or [landscape yoke \(page 34\)](#). A wall bracket is usually the better choice, as explained in the section [yoke mounting \(page 34\)](#). Note that with a wall bracket, you can install in either portrait or landscape, whereas with a yoke, you can only install in landscape.

Ceiling mounting

- To mount CDD5, 6 or 8 on a ceiling, use a [ceiling bracket \(page 29\)](#). With a ceiling bracket, you can install in either portrait or landscape. For portrait installation, you need to mount the loudspeaker upside down.
- To mount CDD10, 12 or 15 on a ceiling, use a [yoke \(page 34\)](#). With a yoke, you can only install in landscape.

Truss or scaffold bar mounting

- To mount CDD5, 6 or 8 on truss or scaffold bars, use a [ceiling bracket with appropriate third-party hardware \(page 37\)](#). As with ceiling mounting, you can install in either portrait or landscape. Note that to install in portrait, you need to mount the loudspeaker upside down.
- To mount CDD10, 12 or 15 on truss or scaffold bars, use a [yoke with appropriate third-party hardware \(page 37\)](#). With a yoke, you only install in landscape.

Pole mounting

- To mount CDD10, 12 or 15 on a pole, use a [yoke with a pole mount adaptor \(page 38\)](#). With a yoke, you can only install in landscape.
- Note that you can't mount CDD5, 6 or 8 on poles.

Flying

- To fly CDD10, 12 or 15, use [eye bolts \(page 39\)](#). With eye bolts, you can install in either portrait or landscape.
- Note that you can't fly CDD5, 6 or 8, as they don't have fittings for eye bolts.

Summary of accessories

	CDD5, 6 and 8	CDD10, 12 and 15
Wall bracket	Yes	Yes
Ceiling bracket	Yes	No
Landscape yoke	No	Yes
Eye bolts	No	Yes

All these accessories are optional, except for CDD5 wall brackets, which are supplied with the speakers.

First and second fix

Construction industry practice often uses first and second fixing stages. The advantage of this is that installers can pull cables and attach fixings while building and decoration work is on-going, avoiding the potential problems of leaving expensive and delicate audio equipment on site at this stage.

Standard CDD models have pluggable cable connectors:

- **First fix:** Connect plugs to cable ends.
- **Second fix:** Install the speakers and plug in the connectors.

All CDD brackets and yokes disassemble into two parts:

- **First fix:** Attach one part to the wall, ceiling or truss.
- **Second fix:** Attach the other part to the cabinet and mount the speaker by connecting the two parts.

Wall mounting CDD

You can use wall brackets to mount CDD speakers in portrait or landscape on walls. We have two types of wall bracket: the type for CDD5 and the type for the rest of the range (CDD6, 8, 10, 12 and 15).

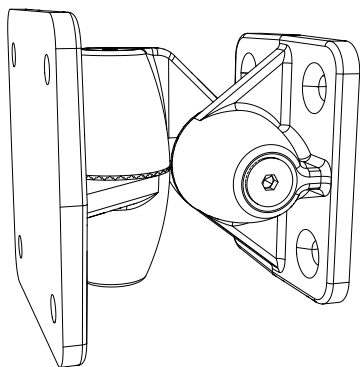
- To mount CDD5 on a wall, see [Wall mounting CDD5 \(page 20\)](#). Note that we ship CDD5 in pairs, complete with wall brackets in either black or white to match the speakers. If you are mounting CDD5 on a wall, you don't need any additional mounting hardware.
- To mount CDD6, 8, 10, 12 or 15 on a wall, see [Wall mounting CDD6, 8, 10, 12 and 15 \(page 24\)](#).

If you mount in landscape, you need to [rotate the driver \(page 10\)](#).

For details of other mounting options, see [How to mount CDDs \(page 19\)](#).

Wall mounting CDD5

The [wall bracket for the CDD5 \(page 67\)](#) has three parts: a part that attaches to the wall, a part that attaches to the cabinet and a link section that joins the two. This link section allows you to adjust the speaker both horizontally and vertically.



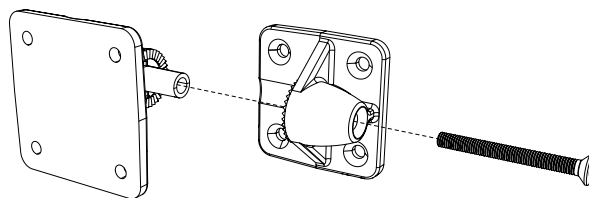
If you only need to adjust the speaker in one plane (horizontally or vertically), you can leave out the link section. In this case, the speaker will fit a little closer to the wall.



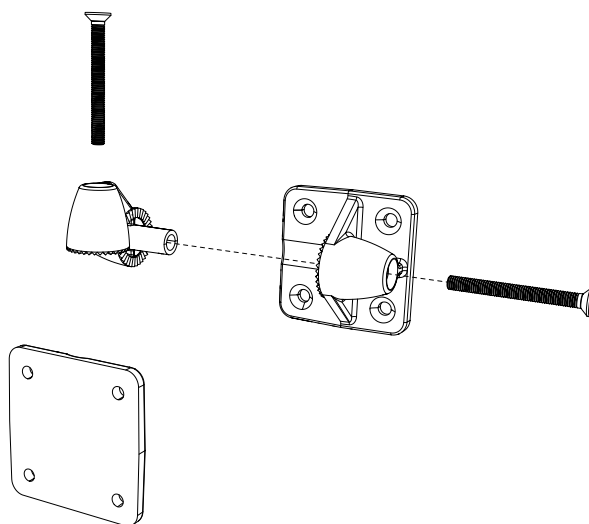
For details of tilt and pan angles, see [CDD tilt and pan angles \(page 52\)](#).

To wall mount CDD5 – first fix

1. Decide whether you need to adjust the installed speaker horizontally, vertically or in both planes. This decision will determine whether you need to include the link section and which way round to attach the bracket.
2. Separate the wall section from the rest of the bracket using a 4 mm hex key (H4).
 - The wall section is larger and has fixing holes spaced 45 mm (1.77 in) apart.
 - The cabinet section is smaller and has countersunk holes spaced 35 mm (1.38 in) apart.



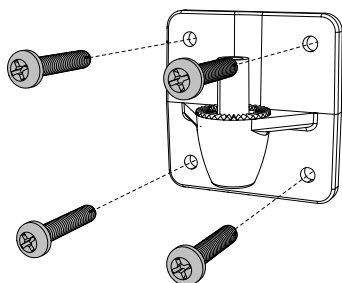
3. Remove the link section from the cabinet section using a 4 mm hex key (H4).



4. Attach the wall section to the wall. The wall section has four holes with diameter 5.2 mm (0.2 in).

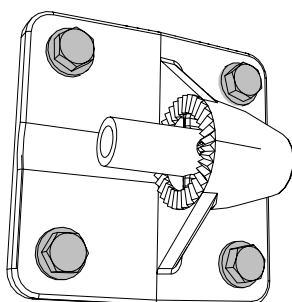
So that the installation is safe and secure, you must use fixings that are appropriate for the wall surface and the [weight of the cabinet \(page 55\)](#).

If you need to adjust the speaker in both planes (or horizontally only), fit the bracket to the wall with the peg upwards, as shown below.



If you only need to adjust the speaker horizontally, use the same vertical orientation.

If you only need to adjust the speaker vertically, fit the bracket to the wall with the peg sideways, as shown below.



5. If second fix is to follow later, it is a good idea to screw the pivot bolt into the wall bracket, so that it does not get lost.
6. At this stage, we recommend that you terminate the speaker cables with the [Phoenix-style connectors](#) (page 13) supplied with the speakers.

To wall mount CDD5 – second fix

1. Decide whether to install the speakers in landscape or portrait. The speakers will sound equally good in either orientation, so you can base this decision purely on the visual impact.
2. If you are installing in landscape or upside-down portrait, [rotate the driver](#) (page 11).

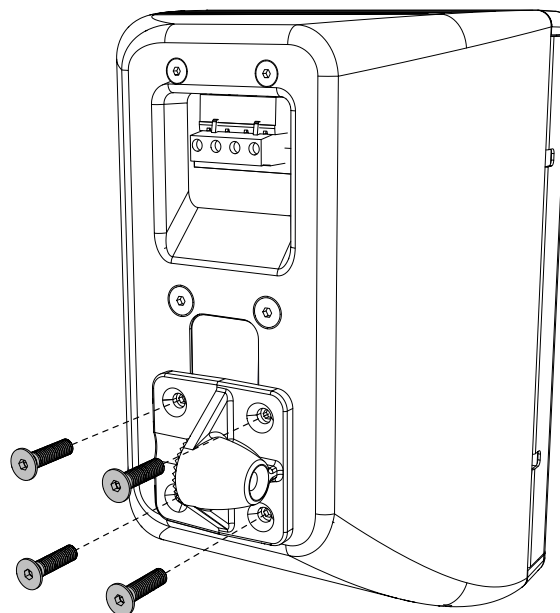


Make sure the [driver is correctly orientated](#) (page 10) otherwise the speaker won't perform properly.

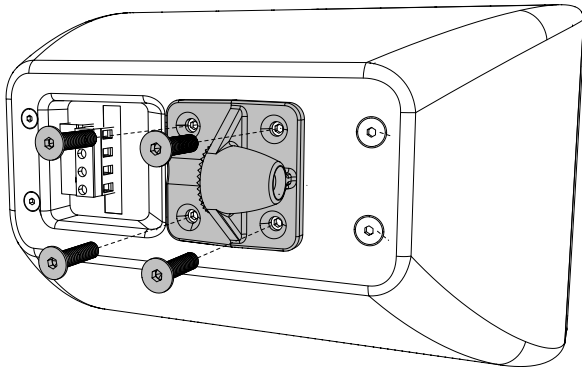
Note that for portrait, it is usually best to install the speaker the right way up. This is because with upside-down portrait on a wall bracket, you will have little ability to tilt the speaker down before it touches the wall.

3. Remove four screws (M5) from the back of the cabinet using a 3 mm hex key (H3) and attach the cabinet bracket section using these screws.
 - For portrait installation, use the lower four fixing points (this will allow you to tilt the speaker further than if you use the upper four fixing points).
 - For landscape installation, use the four fixing points in the middle of the speaker.

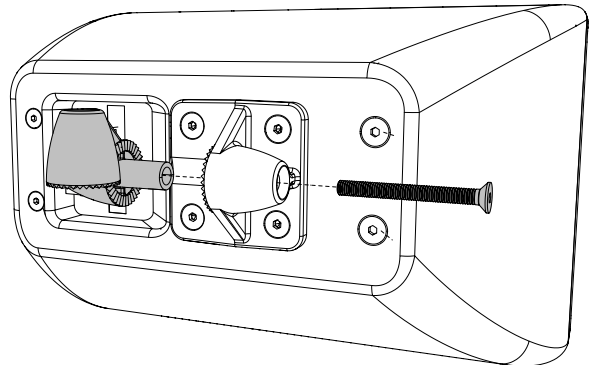
If you need to adjust the speaker in both planes (or vertically only), fit the bracket with the opening sideways, as shown below for portrait:



For landscape, use the same arrangement with the opening sideways, as shown below:

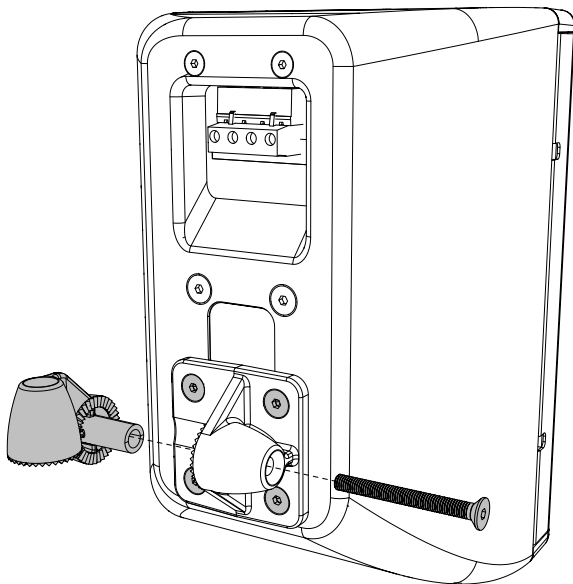


For landscape, use the same arrangement, as shown below:

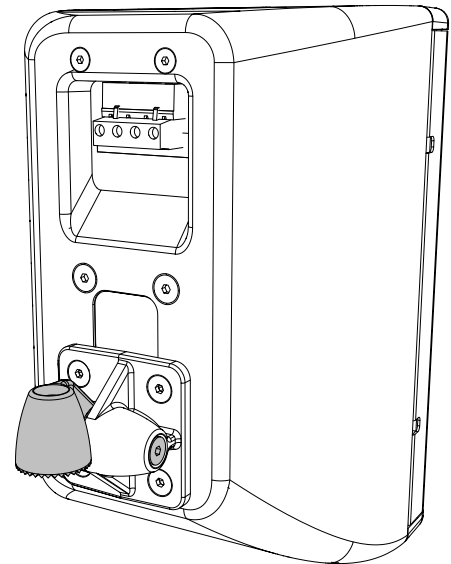


If you only need to adjust the speaker horizontally, fit the bracket with the opening downwards. This applies whether the speaker is in portrait or landscape.

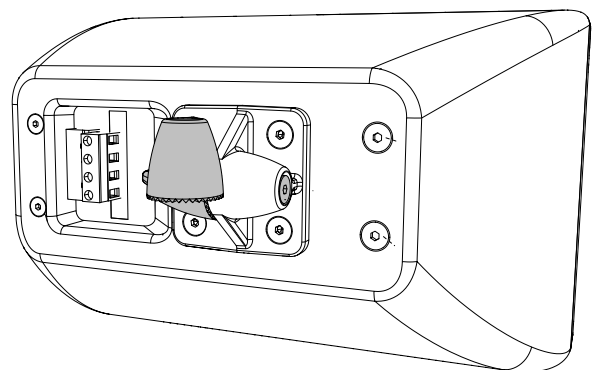
4. If you need to adjust in both planes, fit the link section to the cabinet section, as shown below for portrait:



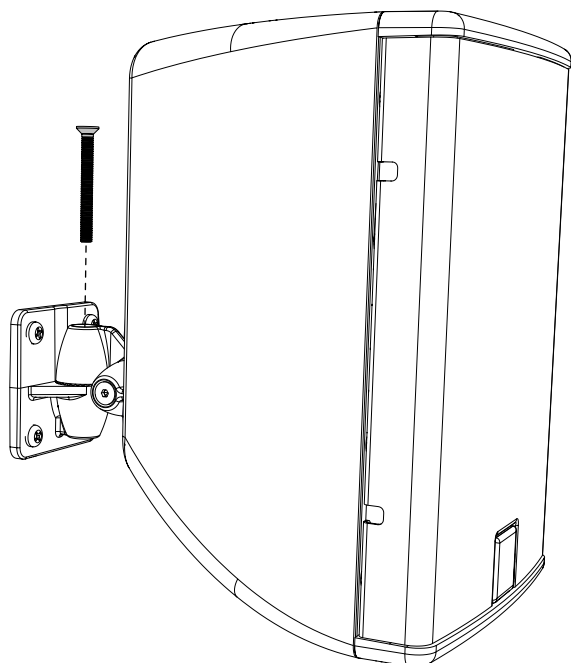
5. Bolt this link section in place, as shown below for portrait:



For landscape, use the same arrangement, as shown below:



6. Remove the bolt from the wall bracket section.
7. Lift the speaker up to the wall bracket section.

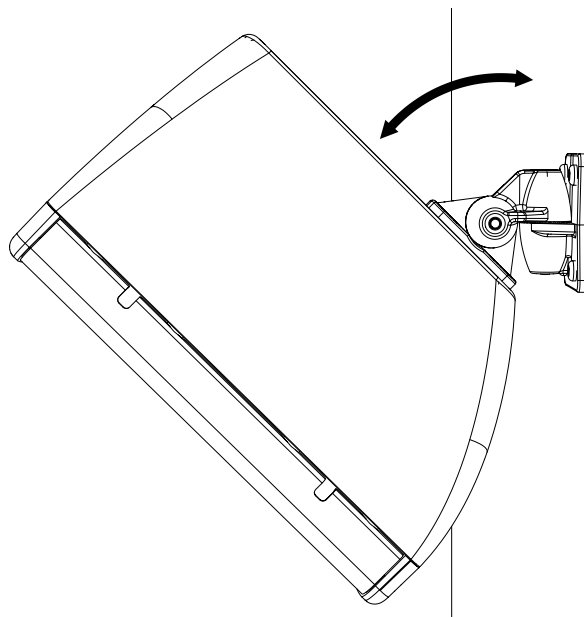


If the wall bracket peg is upwards, the other section will hook securely in place freeing up your hands. You can then fit the pivot bolt.

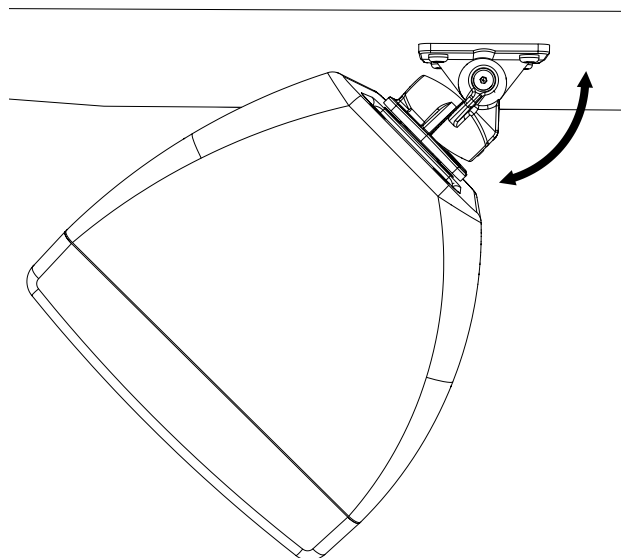
If the wall bracket peg is sideways (allowing only vertical adjustment), slide the two sections of the bracket together and support the speaker with one hand while you insert the pivot bolt with your other hand.

8. Tighten the bolt but leave it a little loose to allow for final adjustment. The radial teeth of the bracket allow you to adjust the speaker in increments of approximately 10° . If the fitting includes the link section, loosen the other fitting slightly, so that you can adjust in the other plane.

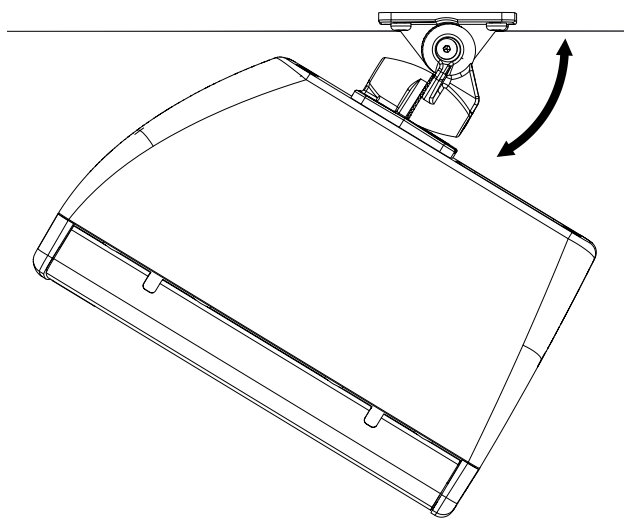
For a speaker in portrait, the maximum tilt angle is 70° as shown below (viewed from the side):



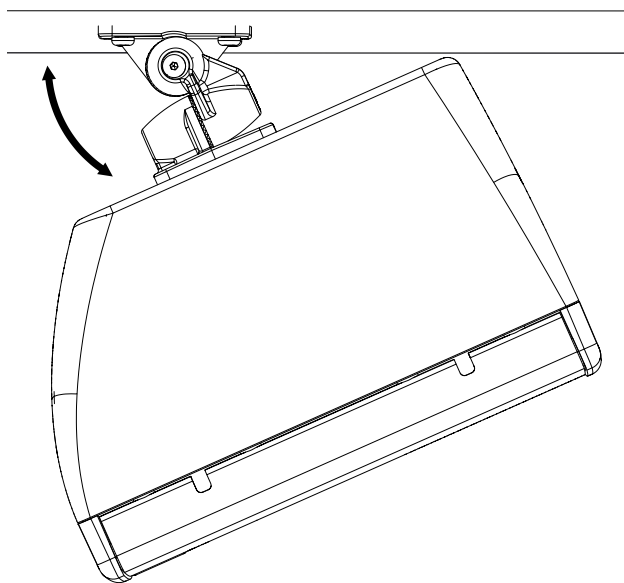
For a speaker in portrait, the maximum pan angle is 45° as shown below (viewed from the ceiling):



For a speaker in landscape, the maximum pan angle is 45° in one direction, as shown below (viewed from the ceiling):



For a speaker in landscape, the maximum pan angle is 30° in the other direction, as shown below (viewed from the ceiling):



For details of tilt and pan angles, see [CDD tilt and pan angles \(page 52\)](#).

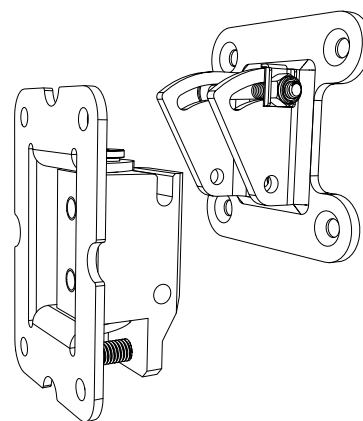
9. Connect the speaker cables using the pluggable [Phoenix-style connectors \(page 13\)](#).

10. Check the coverage using an audio source and make final adjustments to the vertical and horizontal positions.

11. When you have found the best position, tighten the vertical and horizontal bolts.

Wall mounting CDD6, 8, 10, 12 and 15

All CDD speakers except the CDD5 use the same style of wall bracket. This has two parts, a wall section and a cabinet section. When you install the speaker, a horizontal bolt in the cabinet section locates into a notch in the wall section. This takes the weight of the cabinet while you fix the bracket in place.



There are three sizes of wall bracket for the CDD6, 8, 10, 12 and 15:

- [WB6/8 \(page 68\)](#) is the wall bracket for the CDD6 and CDD8.
- [WB10/12 \(page 70\)](#) is the wall bracket for the CDD10 and CDD12.
- [WB15 \(page 71\)](#) is the wall bracket for the CDD15.

The main difference between these is that the brackets for the CDD10, 12 and 15 are larger and stronger to cope with the heavier weights. The fitting procedures for these three brackets is much the same.

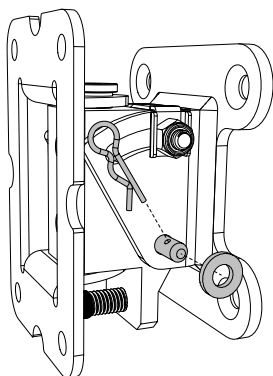


For details of tilt and pan angles, see [CDD tilt and pan angles \(page 52\)](#).

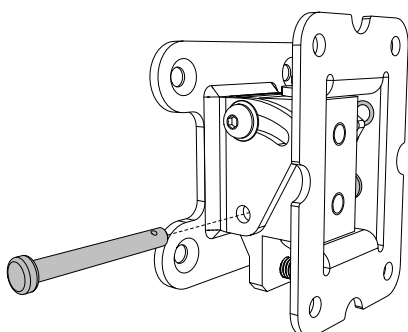
All the CDD wall brackets allow you to install in either portrait or landscape. If you install in landscape, you need to [rotate the driver \(page 10\)](#).

To wall mount CDD6, 8, 10, 12 or 15 – first fix

1. Depending on your bracket, either remove the R-clip and washer (as shown below) or the nut on the lower bolt. Don't remove the upper nut and bolt in the curved slot.

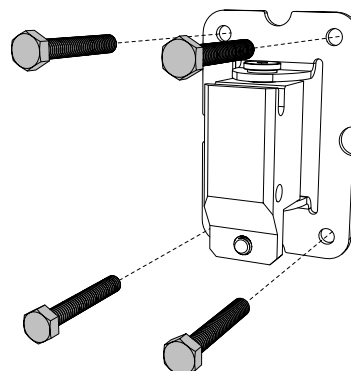


2. Remove the lower fitting (as shown below) or the lower bolt:



3. Separate the two parts of the bracket.
4. Attach the wall section to the wall. Note that the wall section is rectangular while the cabinet section

is square. The grub screw needs to be at the bottom and the sideways notch at the top.



Use wall fixings that are appropriate for the composition of the wall and the [weight of the speaker \(page 54\)](#).

- For CDD6 and 8, the wall section has four holes with diameter 7 mm (0.28 in).
 - For CDD10 and 12, the wall section has four holes with diameter 9 mm (0.35 in).
 - For CDD15, the wall section has six holes with diameter 11 mm (0.43 in).
5. At this stage, we recommend that you terminate the speaker cables with the [Phoenix-style connectors \(page 13\)](#) supplied with the speakers.

To wall mount CDD6, 8, 10, 12 or 15 – second fix

1. If you are installing in landscape or upside-down portrait, [rotate the driver \(page 11\)](#).

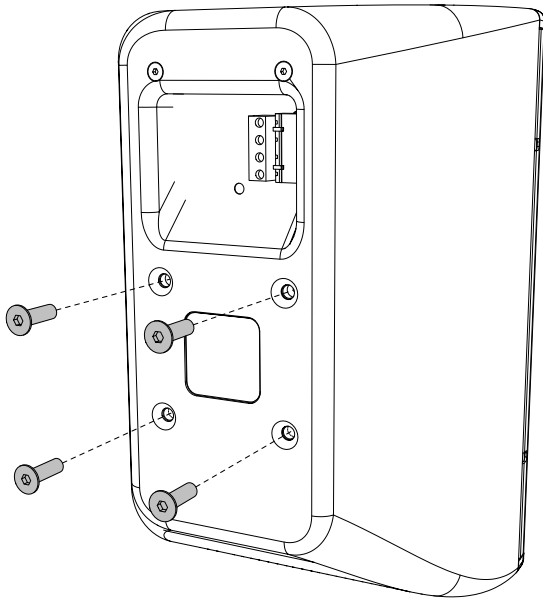


Make sure the [driver is correctly orientated \(page 10\)](#) otherwise the speaker won't perform properly.

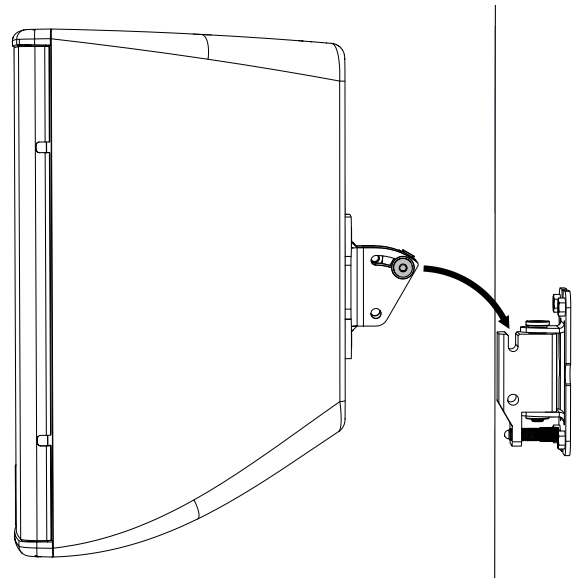
Note that for portrait, it is usually best to install the speaker the right way up. This is because with upside-down portrait on a wall bracket, you will have little ability to tilt the speaker down before it touches the wall.

2. Remove (and keep) four screws from the back of the cabinet.
 - For CDD6 and 8, use a 4 mm hex key.
 - For CDD10, 12 and 15, use a 5 mm hex key.

For CDD6 there are only four screws, so there is no choice of which screws to remove.



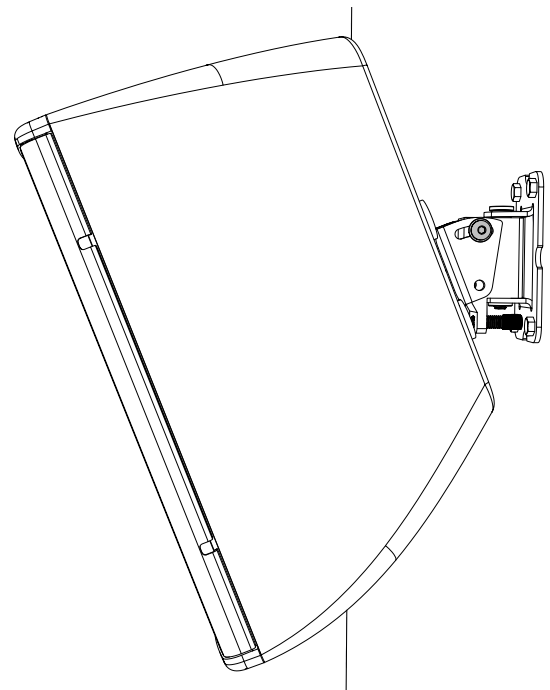
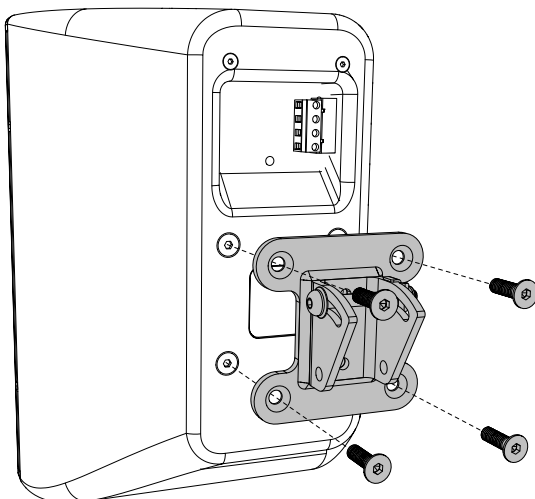
- Lift the speaker up to the bracket and hook the horizontal bolt into the notch of the wall section.



The bracket will now hold the speaker in place.

For CDD8, 10, 12 and 15, there are six screws:

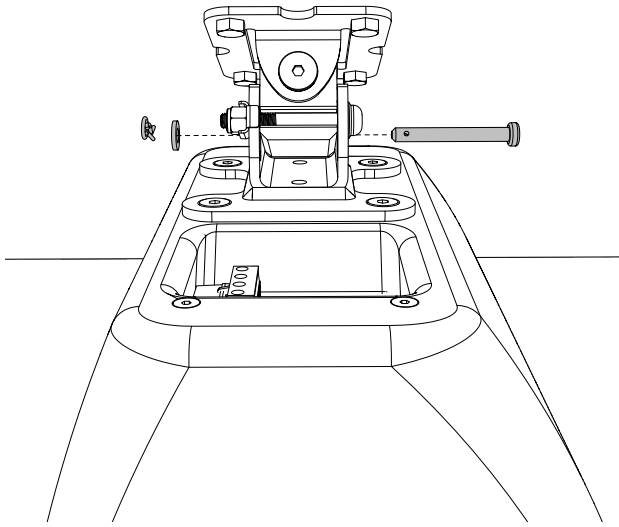
- For portrait, remove the lower four screws, as this will allow you more downwards tilt of the speaker.
 - For landscape, remove the four screws in the middle of the cabinet.
- Attach the cabinet section of the bracket (the square section) using the same screws. Make sure that the bolt is horizontal.



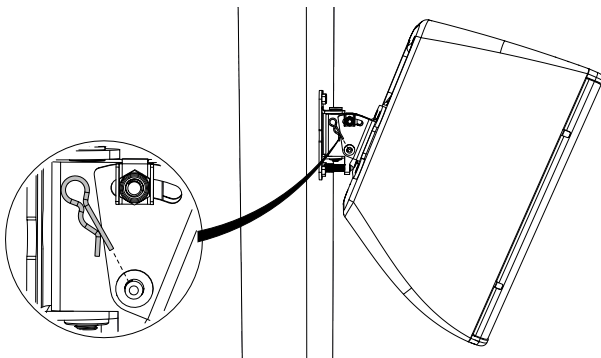
When working at height, you must use appropriate safety measures.

A scaffold tower or lifting platform will allow you to use both hands safely.

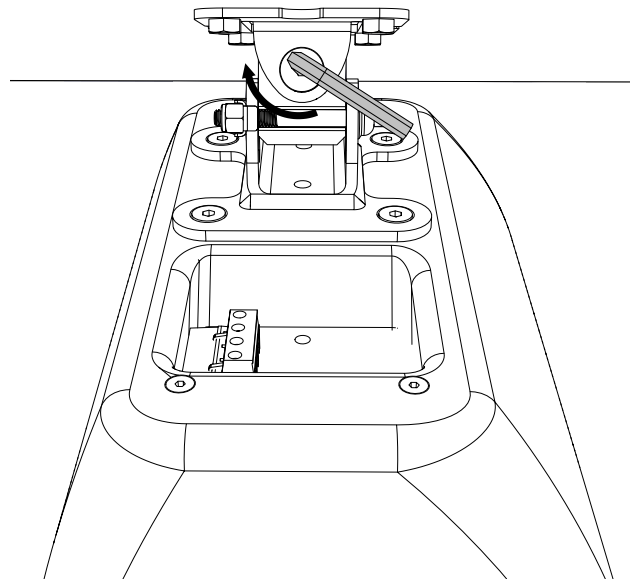
5. Replace the lower fastening. Depending on your bracket, this is either a pin (as shown below) or a bolt.



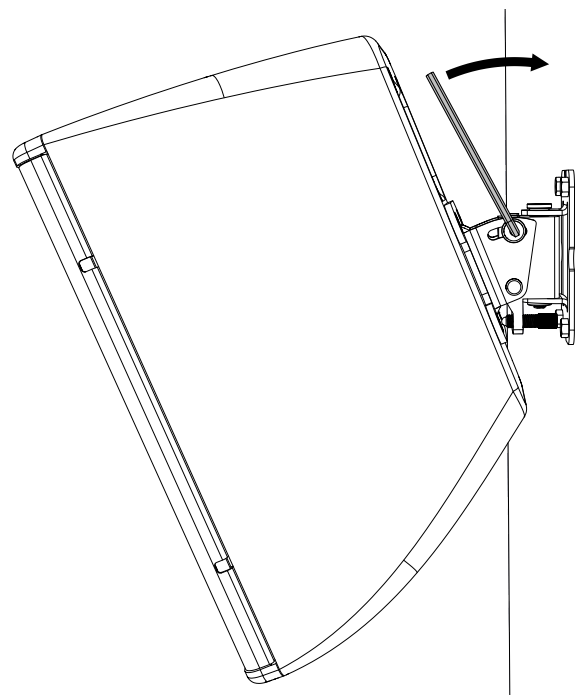
6. Fix the pin or bolt in place, with either the washer and R-clip (as shown below) or the nut.



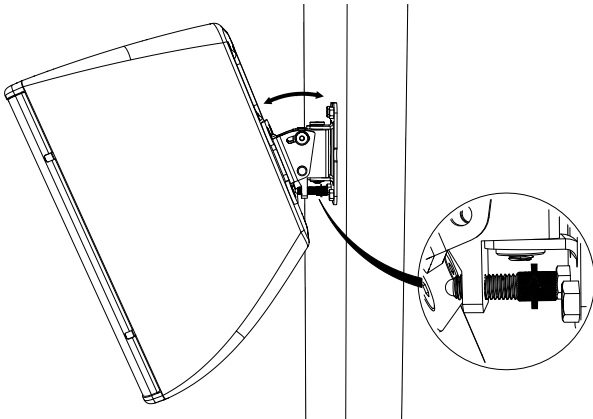
7. Loosen the vertical bolt (using an M5 hex key) and adjust the speaker horizontally on this bolt.



8. Loosen the upper horizontal bolt.



9. Adjust the vertical position using the grub screw.



For details of tilt and pan angles, see [CDD tilt and pan angles \(page 52\)](#).

10. Connect the speaker cables using the pluggable [Phoenix-style connectors \(page 13\)](#).
11. Check the coverage using an audio source and make final adjustments to the vertical and horizontal positions.
12. When you have found the best position, tighten the vertical and horizontal bolts.

Ceiling bracket mounting CDD

You can mount CDD5, 6 or 8 on the ceiling using a ceiling bracket. There are two types of ceiling bracket, one for CDD5 and one shared by CDD6 and 8.

- To mount CDD5 on the ceiling, see [Ceiling mounting CDD5 \(page 29\)](#).
- To mount CDD6 or 8 on the ceiling, see [Ceiling mounting CDD6 or CDD8 \(page 31\)](#).



For details of tilt and pan angles, see [CDD tilt and pan angles \(page 52\)](#).

For details of how to mount CDD10, 12 or 15 on the ceiling, see [Yoke mounting CDD \(page 34\)](#).

Landscape or portrait

You can install CDD5, 6 or 8 speakers using a ceiling bracket in either portrait or landscape. Landscape is generally the preferred option, and in this case, you must [rotate the driver \(page 11\)](#).

To install in portrait, the loudspeaker must be mounted upside down. You must also rotate the grille and driver by 180°. For details see [To rotate the driver \(page 11\)](#)

First and second fix

- At first fix, you attach the ceiling bracket to the ceiling.
- At second fix, you attach the speaker section of the bracket to the speaker. You then mount the speaker by connecting the two sections of the bracket.

Ceiling mounting CDD5

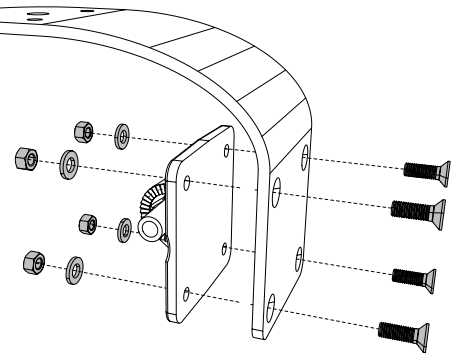
For CDD5, the optional ceiling bracket [CDDCB5 \(page 72\)](#) attaches to the wall bracket supplied with the speaker. The fitting procedure is the same as mounting the CDD5 on a wall, except that you mount the wall bracket onto the ceiling bracket.

To ceiling mount the CDD5 – first fix

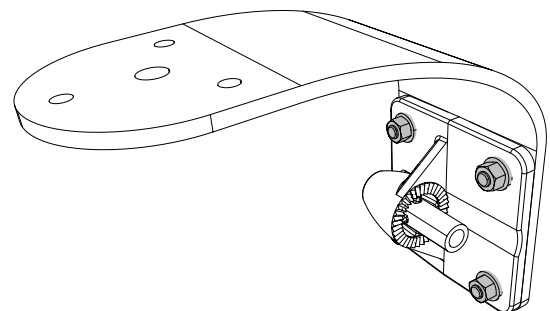
1. Disassemble the wall bracket (supplied with the speaker). This is because ceiling bracket CDDCB5 connects to the wall bracket rather than the speaker.

For details of the wall bracket, see [Wall mounting CDD5 \(page 20\)](#).

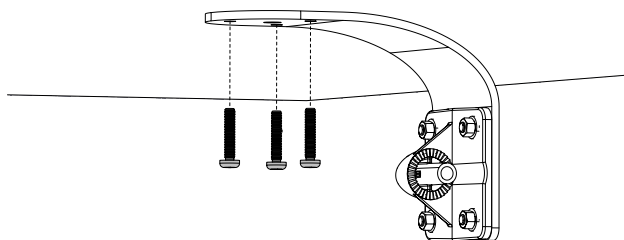
2. Bolt the wall section of the wall bracket to the ceiling bracket using the four M5 screws, plain washers and Nyloc nuts supplied with the ceiling bracket.



Fit the wall bracket with the peg sideways as shown below:



3. Fix the ceiling bracket to the ceiling. The bracket has three 5.5 mm (0.22 in) holes and a central 8.5 mm (0.33 in) hole.



If the three smaller holes will give a safe and secure fixing (for example, by using wood screws into a batten above plasterboard), you could use the central hole for cable routing.

Alternatively, you could start by using a single fixing through the central hole, allowing you to find the correct horizontal coverage by pivoting the speaker on this fixing. When you have found the best position, tighten the central fixing and add fixings to the three smaller holes.

The fixings to use depends on the ceiling construction and the [weight of the speaker \(page 54\)](#).



Make sure that the attachment to the ceiling is safe and secure, particularly as the speakers may be over people's heads.

4. At this stage, we recommend that you terminate the speaker cables with the [Phoenix-style connectors \(page 13\)](#) supplied with the speakers.

To ceiling mount CDD5 – second fix

1. If you are installing in landscape, you must [rotate the driver \(page 11\)](#).

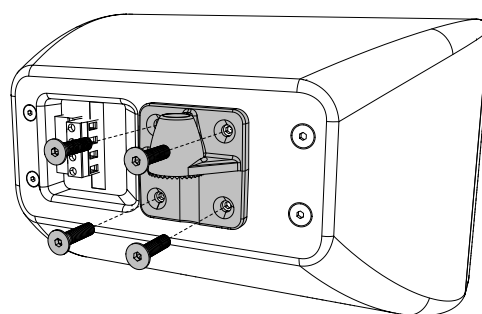
If you are installing in portrait, you need to fit the speaker in upside-down portrait and so you must [rotate the driver and grille by 180° \(page 11\)](#).



Make sure the [driver is correctly orientated \(page 10\)](#) otherwise the speaker won't perform properly.

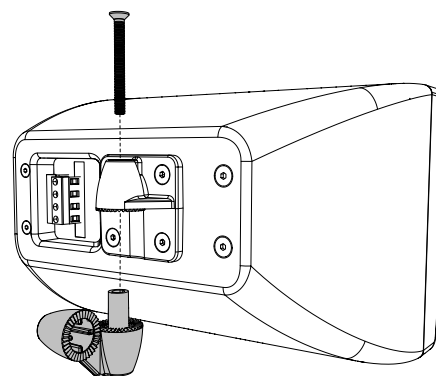
2. Remove four M5 screws from the back of the cabinet using a 3 mm hex key (H3) and attach the cabinet section of the bracket using these screws.

For landscape, use the four screws in the middle of the cabinet and fit the bracket vertically with the opening downward, as shown below:

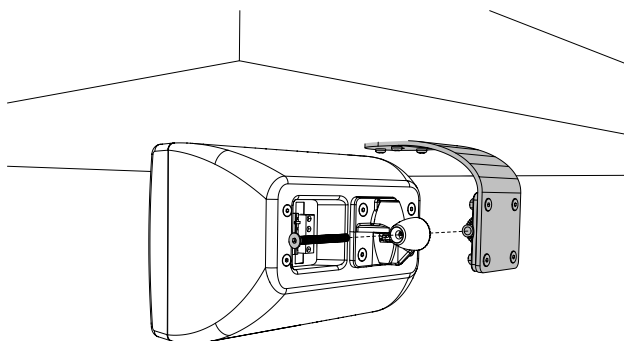


For portrait, put the speaker into upside down portrait and then use the top four screws and fit the bracket vertically with the opening downward.

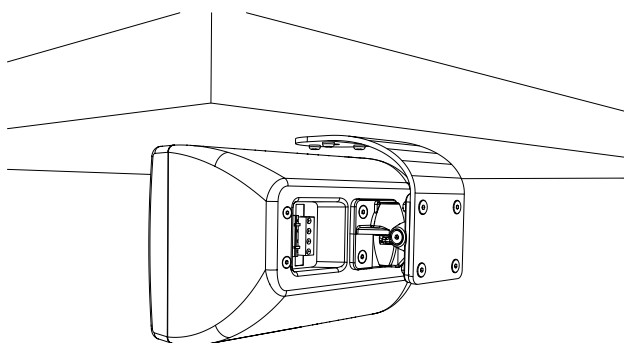
3. Connect the link section to the cabinet section of the wall bracket.



4. Lift the cabinet up to the ceiling bracket.

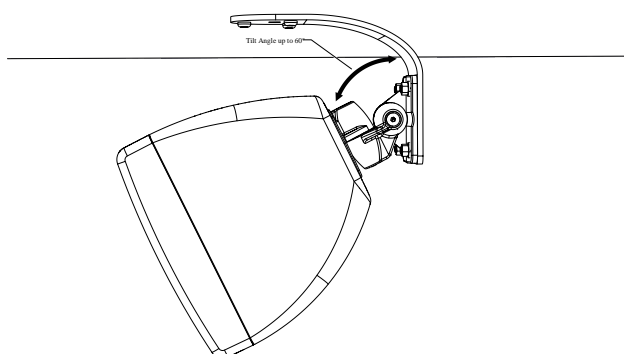


Attach the two parts of the bracket using the 5 mm securing bolt. Leave the bolt slightly loose so that you can adjust the speaker.

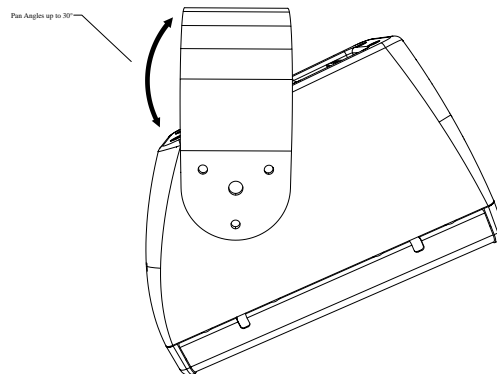


Fit the bolt slightly loosely so that you can adjust the speaker.

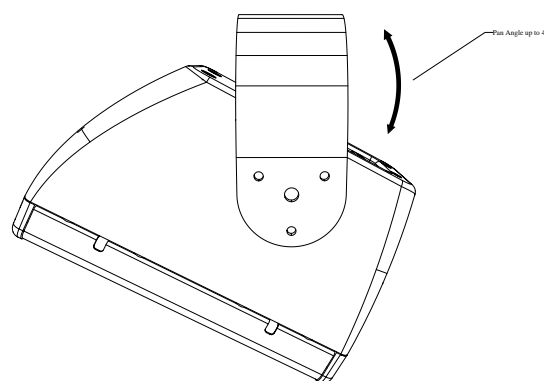
With the speaker in landscape, the maximum downward tilt angle is 60° as shown below (viewed from the side):



With the speaker in landscape, the maximum pan angle is 30° in one direction and 45° in the other. The 30° angle is shown below (viewed from the ceiling):



The 45° angle is shown below (viewed from the ceiling):



For details of tilt and pan angles, see [CDD tilt and pan angles \(page 52\)](#).

5. Connect the speaker cables using the pluggable [Phoenix-style connectors \(page 13\)](#).
6. Check the coverage using an audio source and make final adjustments to the vertical and horizontal positions.
7. When you have found the best position, tighten the vertical and horizontal bolts.

Ceiling mounting CDD6 or CDD8

To mount CDD6 or CDD8 on the ceiling, you need an optional ceiling bracket. CDD6 and CDD8 use the same

bracket [CDDCB6/8 \(page 73\)](#). This bracket has two sections:

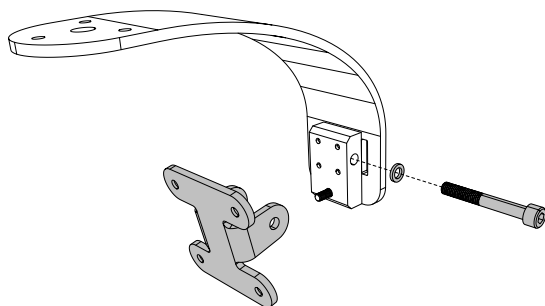
- A 90° arm that attaches to the ceiling.
- A four-point square section that fixes to the rear of the cabinet.

The two sections are held together with a bolt.

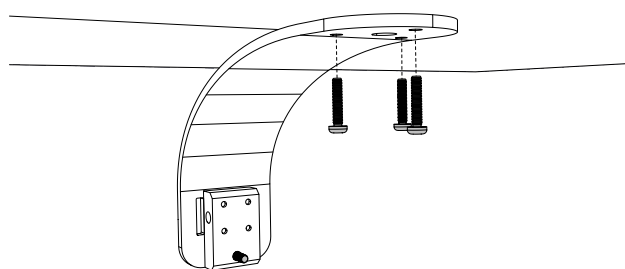
For an overview of ceiling brackets, see [Ceiling bracket mounting CDD \(page 29\)](#).

To ceiling mount CDD6 or CDD8 – first fix

1. Unscrew the cabinet section of the bracket from the ceiling arm using an M6 hex key.



2. Fix the ceiling arm to the ceiling. The ceiling arm has three 6.5 mm (0.26 in) holes and a central 13 mm (0.51 in) hole.



If the three smaller holes will give a safe and secure fixing (for example, by using wood screws into a batten above plasterboard), you could use the central hole for cable routing.

Alternatively, you could start by using a single fixing through the central hole, allowing you to find the

correct horizontal coverage by pivoting the speaker on this fixing. When you have found the best position, tighten the central fixing and add fixings to the three smaller holes.

The fixings to use depends on the ceiling construction and the [weight of the speaker \(page 54\)](#).



Make sure that the attachment to the ceiling is safe and secure, particularly as the speakers may be over people's heads.

3. At this stage, we recommend that you terminate the speaker cables with the [Phoenix-style connectors \(page 13\)](#) supplied with the speakers.

To ceiling mount CDD6 or CDD8 – second fix

1. If you are installing in landscape, [rotate the driver by 90° \(page 11\)](#).

If you are installing in portrait, you will need to install the speaker upside down, so [rotate the driver and grill by 180° \(page 11\)](#).

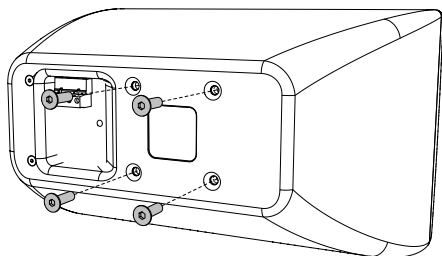


Make sure the [driver is correctly orientated \(page 10\)](#) otherwise the speaker won't perform properly.

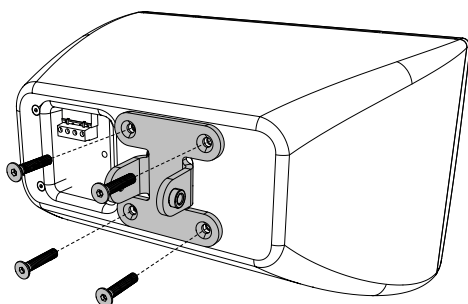
2. Remove four M6 screws from the cabinet using a 4 mm hex key (H4) and attach the cabinet bracket section using the same screws.

For CDD8, there are six screws on the back. For CDD8 in landscape use the middle four screws, so the bracket is in the middle of the cabinet. For CDD8 in portrait, use the lower four screws, so that when you install the speaker in upside-down portrait, the bracket is at the top of the speaker.

For CDD6 (shown below), there are only four screws on the back, so there's no choice of position.



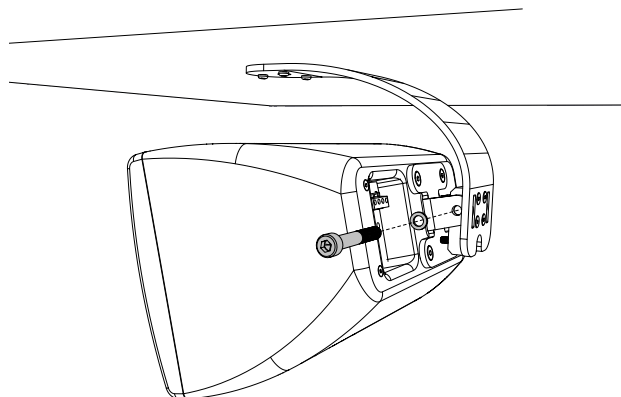
For CDD6 or CDD8 in landscape, fit the bracket so that the bolt holes are horizontal as shown below.



For CDD6 or CDD8 in portrait, fit the bracket so that the bolt holes are horizontal in portrait.

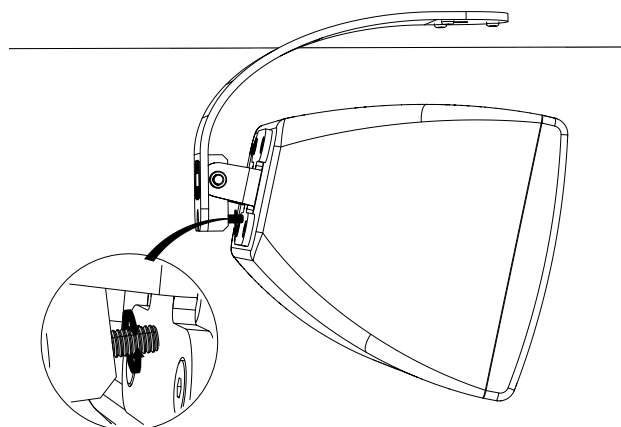
3. Lift the cabinet up to the ceiling bracket and attach the two parts of the bracket using the 5 mm securing

bolt. Leave the bolt a little loose, so you can adjust the vertical speaker position.



If you are installing in portrait, remember to install the speaker upside-down.

4. Adjust the vertical position using the grub screw accessed from the rear of the bracket.



For details of tilt and pan angles, see [CDD tilt and pan angles \(page 52\)](#).

5. Connect the speaker cables using the pluggable [Phoenix-style connectors \(page 13\)](#).
6. Check the coverage using an audio source and make final adjustments to the vertical and horizontal positions.
7. When you have found the best position, tighten the vertical and horizontal bolts.

Yoke mounting CDD

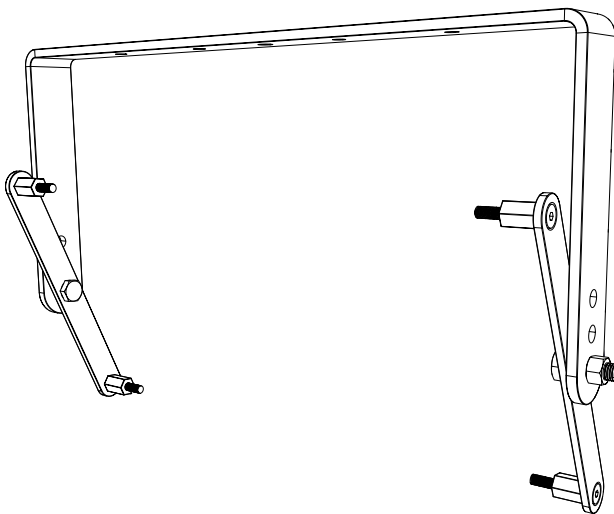
The CDD yokes allow you to mount the three largest CDD speakers (CDD10, 12 and 15) on ceilings, walls, [truss](#), [scaffold bars \(page 37\)](#) or [poles \(page 38\)](#). Note that these yokes support landscape installation only.

Also note:

- For wall mounting, [wall brackets \(page 24\)](#) are usually a better option. They allow you to tilt and pan the speakers (with a yoke you can only tilt) and you can mount in either landscape or portrait.
- For ceiling installations, you can alternatively fly individual speakers using [eye bolts \(page 39\)](#). You can fly speakers in either landscape or portrait.

The CDD landscape yokes consist of:

- Two side bars that bolt to the sides of the loudspeaker.
- A U-shaped frame that you fix to the ceiling, wall, truss, scaffold bar or pole.



We offer three landscape yokes, one for each of the largest CDD speakers:

- [CDDY10 \(page 74\)](#) for CDD10.
- [CDDY12 \(page 75\)](#) for CDD12.
- [CDDY15 \(page 76\)](#) for CDD15.

The only difference between these yokes is size and weight.

For permanent installations, you can use first and second fix procedures:

- **First fix** – fix the yoke to the ceiling, wall or pole.

- **Second fix** – fix the cabinet to the yoke.

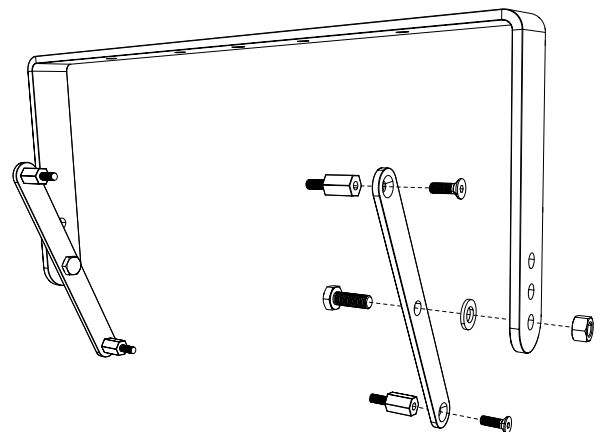


For details of tilt and pan angles, see [CDD tilt and pan angles \(page 52\)](#).

To mount a yoke on a ceiling or wall – first fix

1. Fit the side bars to the yoke frame using the M12 nyloc nuts and bolts supplied. Put a washer between the side bar and the yoke frame.

There are three possible fixing holes to use for each side bar. The hole to use will depend on the angle of down-tilt you need. You could loosely fit the assembly together at ground level to determine the best hole to use.



2. Tighten the side bars sufficiently to allow a little movement for final positioning at second fix.
3. Fit the yoke to the wall or ceiling.

The frame has four 10.5 mm (0.41 in) holes and a central 12.5 mm (0.49 in) hole. You can attach the frame using the four smaller holes or the larger central hole.

When the speaker is attached to the yoke, you can normally only adjust the speaker vertically. But if you fit the yoke to a ceiling using the central hole, you can also adjust horizontally, by rotating the yoke on the single attachment point before tightening the fixing.

If you fit using the central hole, you must use a sufficiently robust fixing method for this single point of attachment, and we strongly recommend that you use a [secondary safety cable \(page 37\)](#).

If you fix using the smaller holes, you could use the central hole for cable access.

The fixings to use depends on the ceiling construction and the [weight of the speaker \(page 54\)](#).



Make sure that the attachment to the ceiling is safe and secure, particularly as the speakers may be over people's heads.

- At this stage, we recommend that you terminate the speaker cables with the [Phoenix-style connectors \(page 13\)](#) supplied with the speakers.

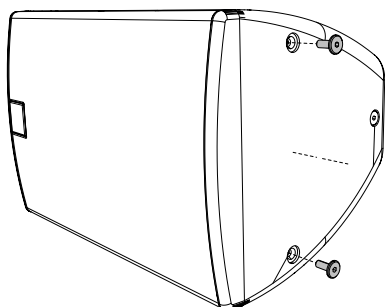
To mount a yoke on a ceiling or wall – second fix

- Rotate the driver for landscape use. For details, see [To rotate the driver \(page 11\)](#).

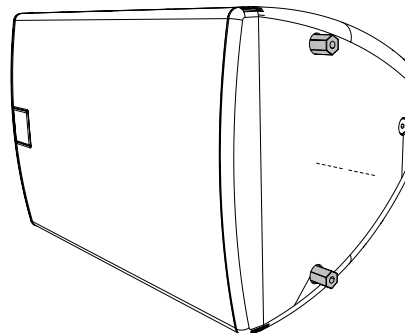


Make sure the [driver is correctly orientated \(page 10\)](#) otherwise the speaker won't perform properly.

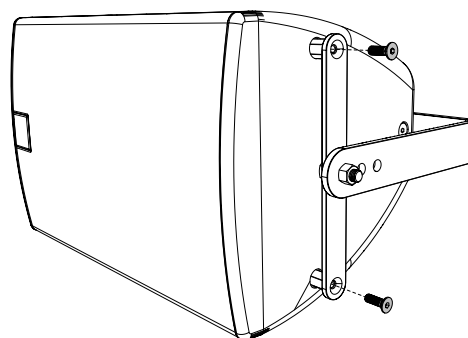
- Remove two M8 screws on each side of the cabinet, as shown below. Keep these screws.



- Replace the screws with the hex spacers supplied. Make sure these spacers are secure.



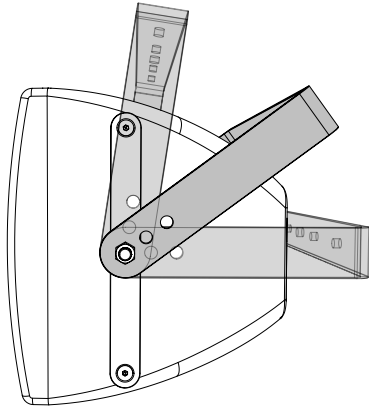
- Attach the cabinet to the yoke assembly using the screws you removed earlier. For safety, this step needs two people, one to hold the cabinet in position and the other to fit the securing bolts at each end.



When working at height, you must observe all standard safety protocols.

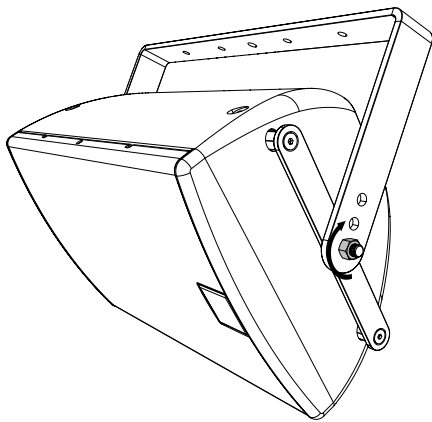
- Connect the speaker cables using the pluggable [Phoenix-style connectors \(page 13\)](#).

6. Check the coverage using an audio source and make final adjustments to the vertical and horizontal positions.



For details of tilt and pan angles, see [CDD tilt and pan angles \(page 52\)](#).

7. When you have found the best position, tighten the vertical and horizontal bolts.



Truss mounting CDD

To mount CDD speakers on truss or scaffold bars, use a third-party truss clamp or other suitable hardware in combination with:

- A ceiling bracket for CDD5, 6 and 8. These support installation in landscape or portrait.
- A yoke for CDD10, 12 and 15. These support installation in landscape only.



Make sure this third-party hardware is rated for the [weight of the speaker and bracket or yoke \(page 54\)](#).

To mount CDD5 on truss

1. Follow the instructions in the section [Ceiling mounting CDD5 \(page 29\)](#). You can install in landscape or portrait.
2. Attach the ceiling bracket to the third-party hardware (see above).

Use the central 8.5 mm (0.33 in) hole in the bracket and an M8 bolt (or 5/16 inch bolt and washer).

To mount CDD6 or CDD8 on truss

1. Follow the instructions in the section [Ceiling mounting CDD6 or CDD8 \(page 31\)](#). You can install in landscape or portrait.
2. Attach the ceiling bracket to the third-party hardware (see above).

Use the central 13 mm (0.51 in) hole in the bracket and an M12 bolt (or 1/2 inch bolt).

To mount CDD10, 12 or 15 on truss

1. Follow the instructions in the section [Yoke mounting CDD \(page 34\)](#). The yokes support landscape installation only.
2. Attach the yoke frame to the third-party hardware (see above).

Use the central 12.5 mm (0.49 in) hole in the yoke frame and an M12 bolt (or 7/16 inch bolt and washer). Alternatively, use the four 10.5 mm (0.41 in) holes and M10 bolts (or 3/8 inch bolts and washers).

3. Fit a secondary safety cable (see below).



For CDD10, 12 and 15 mounted on truss, you must have a secondary safety cable.

Secondary safety cable

Use a chain or steel rope attached directly to the cabinet, **not** to the yoke. Fit an eye bolt into one of the inserts provided for flying purposes and attach the other end to a suitably rated anchoring point that is a permanent part of the building structure.

For details of the inserts for flying, see [Flying CDD using eye bolts \(page 39\)](#).

If the yoke is mounted to a truss or scaffold bar, you can attach the chain or steel rope to the same truss or bar, provided it is a permanent fixture and not part of temporary rigging. If in doubt, check your local safety regulations.

Pole mounting CDD

To mount CDD10, 12 or 15 on a pole, use a yoke attached to a Martin Audio pole mount adaptor (part ASF20045). The pole could be a Martin Audio wind-up telescopic pole (part ASF20071), or a compatible third-party pole or pole stand. Make sure the pole and any floor stand are rated for the [weight of the cabinet and yoke \(page 54\)](#). Note that CDD yokes support landscape installation only.



You can't mount CDD5, 6 or 8 on a pole as these speakers don't have yokes and the ceiling brackets aren't rated for use upside down.

To mount CDD10, 12 or 15 on a pole

1. Fit the side bars to the yoke frame as described in the section [To mount a yoke on a ceiling or wall – first fix \(page 34\)](#).
2. Attach the yoke frame to the pole mount adaptor using the central hole in the yoke and the M12 bolt supplied with the adaptor.
3. Fit the cabinet to the yoke. See [To mount a yoke on a ceiling or wall – second fix \(page 35\)](#).
4. Lift the assembled cabinet, yoke and adaptor onto the pole.

Flying CDD using eye bolts

You can fly CDD10, 12 and 15 speakers in landscape or portrait using Martin Audio M8 shouldered eye bolts (part number HTKCT05) and steel rope or chains.



You can't fly CDD5, 6 and 8 as these speakers don't have eye bolt fittings.

Important safety note



Don't use eye bolts from other manufacturers, as this could be dangerous.

Forged-steel eye bolts available from DIY suppliers are **not** strong enough. Even cast or machined eye bolts rated for purpose can be unsuitable, as they can have wide shoulders that cause the bolt to tighten against the cabinet rather than the thread.

Mounting options

Eye bolt mounting allows you to suspend individual speakers from suitable fixings in the ceiling or from trusses or scaffold bars.



The rigging method and components must be suitable for both the [weight of the speaker \(page 54\)](#) and the suspension points.

You can also use the M8 inserts to fit a [secondary safety device \(page 37\)](#).

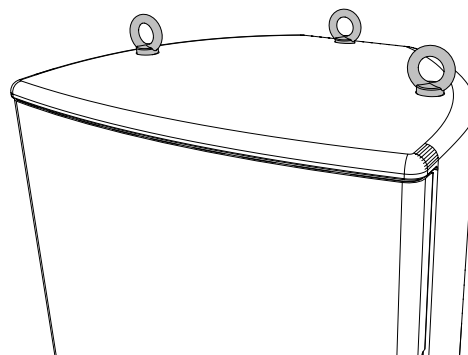
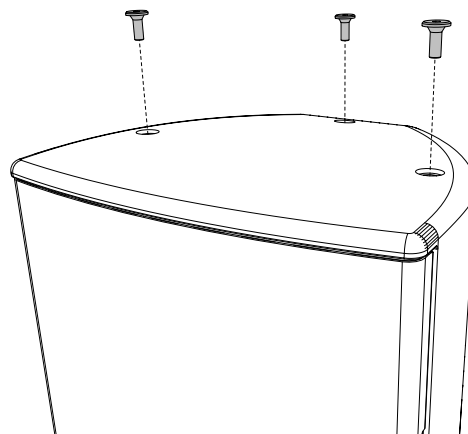
Insert locations

The CDD10, 12 and 15 speakers have ten M8 inserts, positioned as follows in portrait orientation:

- Three on the top
- Two on the bottom
- Two on each side
- One of the back

To fly speakers in portrait

The most common flying method is to use the three insert positions on the top, the front two as the primary suspension points and the third providing downward tilt.

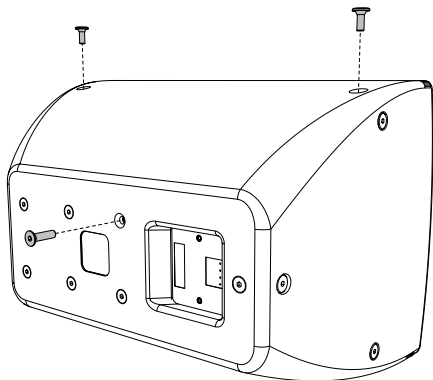


If you need a steeper tilt, you can use the insert on the back of the cabinet as the third position.

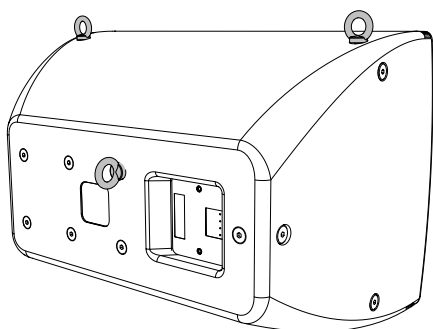
To fly cabinets in landscape

Before flying in landscape, you must [rotate the driver \(page 11\)](#).

Use the two flying points on the top of the speaker. For the third flying point (to adjust tilt) use one of the M8 bracket screws on the back of the cabinet.



Remove one of the M8 screws and fit the third eye bolt in this position.



Make sure the [driver is correctly orientated \(page 10\)](#) otherwise the speaker won't perform properly.

Recommended amplifiers

For low impedance systems, we recommend Martin Audio VIA and iKON amplifiers, as shown below.

Model	VIA2004	VIA2502, VIA5004	VIA5002, iK41, iK42, iK81
CDD5	Yes	Yes	Yes
CDD6		Yes	Yes
CDD8		Yes	Yes
CDD10			Yes
CDD12			Yes
CDD15			Yes

For 70/100 V line systems, see [Amplifiers for 70/100 V systems \(page 46\)](#).

VIA amplifiers

We have four VIA amplifiers, two with two channels and two with four channels.

If you use VIA amplifiers, you also need a [system controller \(page 48\)](#).

Amplifier	Power output
VIA2004	4 x 500 W into 4 ohm
	4 x 250 W into 8 ohm
VIA2502	2 x 1,250 W into 2 ohm
	2 x 800 W into 4 ohm
	2 x 450 W into 8 ohm
	1 x 2,500 W bridged into 4 ohm
	1 x 1,600 W bridged into 8 ohm
VIA5002	2 x 2,500 W into 4 ohm
	2 x 1,600 W into 8 ohm
VIA5004	4 x 1,250 W into 2 ohm
	4 x 800 W into 4 ohm
	4 x 450 W into 8 ohm
	2 x 2,500 W bridged into 4 ohm
	2 x 1,600 W bridged into 8 ohm

For further details, see our website martin-audio.com.

iKON amplifiers

We have three iKON amplifiers, two with four channels and one with eight channels.

The iKON amplifiers have on-board system processing, so you don't need a separate [system controller \(page 48\)](#).

Amplifier	Power output
iK41	4 x 1,500 W into 2 ohm
	4 x 1,500 W into 4 ohm
	4 x 750 W into 8 ohm
	4 x 325 W into 16 ohm
	2 x 3,000 W bridged into 4 ohm
	2 x 3,000 W bridged into 8 ohm
iK42	4 x 5,000 W into 2 ohm
	4 x 3,000 W into 4 ohm
	4 x 1,500 W into 8 ohm
	4 x 750 W into 16 ohm
	2 x 10,000 W bridged into 4 ohm
	2 x 6,000 W bridged into 8 ohm
iK81	8 x 1,250 W into 2 ohm
	8 x 1,250 W into 4 ohm
	8 x 1,250 W into 8 ohm
	8 x 625 W into 16 ohm
	4 x 2,500 W bridged into 4 ohm
	4 x 2,500 W bridged into 8 ohm

For further details, see our website martin-audio.com.

Amplifier compatibility

CDD5 amplifier compatibility

Amplifier	Channels	Channels used	One speaker per channel (8 ohm)	Two speakers per channel (4 ohm)	Three speakers per channel (2.67 ohm)	Four speakers per channel (2 ohm)
iK41	One channel	1 of 4	Yes	Yes	Yes	Yes
	Two channels bridged	2 of 4	NN	NN	NN	NN
iK42	One channel	1 of 4	Yes	Yes	Yes	Yes
	Two channels bridged	2 of 4	NN	NN	NN	NN
iK81	One channel	1 of 8	Yes	Yes	Yes	Yes
	Two channels bridged	2 of 8	NN	NN	NN	NN
VIA5004	One channel	1 of 4	Yes	Yes	Yes	Yes
	Two channels bridged	2 of 4	NN	NN	NN	NN
VIA2502	One channel	1 of 2	Yes	Yes	Yes	Yes
	Two channels bridged	2 of 2	NN	NN	NN	NN
VIA5002	One channel	1 of 2	Yes	Yes	No	No
	Bridging not available	NA	NA	NA	NA	NA
VIA2004	One channel	1 of 4	Yes	Yes	No	No
	Bridging not available	NA	NA	NA	NA	NA

For explanation, see [Amplifier compatibility legend \(page 45\)](#).

CDD6 amplifier compatibility

Amplifier	Channels	Channels used	One speaker per channel (8 ohm)	Two speakers per channel (4 ohm)	Three speakers per channel (2.67 ohm)	Four speakers per channel (2 ohm)
iK41	One channel	1 of 4	Yes	Yes	Yes	Yes
	Two channels bridged	2 of 4	NN	NN	NN	NN
iK42	One channel	1 of 4	Yes	Yes	Yes	Yes
	Two channels bridged	2 of 4	NN	NN	NN	NN
iK81	One channel	1 of 8	Yes	Yes	Yes	Yes
	Two channels bridged	2 of 8	NN	NN	NN	NN
VIA5004	One channel	1 of 4	Yes	Yes	Yes	Yes
	Two channels bridged	2 of 4	NN	NN	NN	NN
VIA2502	One channel	1 of 2	Yes	Yes	Yes	Yes
	Two channels bridged	2 of 2	NN	NN	NN	NN
VIA5002	One channel	1 of 2	Yes	Yes	No	No
	Bridging not available	NA	NA	NA	NA	NA
VIA2004	One channel	1 of 4	-0.8 dB	-0.8 dB	No	No
	Bridging not available	NA	NA	NA	NA	NA

For explanation, see [Amplifier compatibility legend \(page 45\)](#).

CDD8 amplifier compatibility

Amplifier	Channels	Channels used	One speaker per channel (8 ohm)	Two speakers per channel (4 ohm)	Three speakers per channel (2.67 ohm)	Four speakers per channel (2 ohm)
iK41	One channel	1 of 4	Yes	Yes	Yes	-0.3 dB
	Two channels bridged	2 of 4	NN	NN	NN	No
iK42	One channel	1 of 4	Yes	Yes	Yes	Yes
	Two channels bridged	2 of 4	NN	NN	NN	NN
iK81	One channel	1 of 8	Yes	Yes	Yes	-1.1 dB
	Two channels bridged	2 of 8	NN	NN	NN	No
VIA5004	One channel	1 of 4	Yes	Yes	-1.1 dB	-1.1 dB
	Two channels bridged	2 of 4	NN	NN	No	No
VIA2502	One channel	1 of 2	Yes	Yes	-1.1 dB	-1.1 dB
	Two channels bridged	2 of 2	NN	NN	No	No
VIA5002	One channel	1 of 2	Yes	Yes	No	No
	Bridging not available	NA	NA	NA	NA	NA
VIA2004	One channel	1 of 4	-2.0 dB	-2.0 dB	No	No
	Bridging not available	NA	NA	NA	NA	NA

For explanation, see [Amplifier compatibility legend \(page 45\)](#).

CDD10 amplifier compatibility

Amplifier	Channels	Channels used	One speaker per channel (8 ohm)	Two speakers per channel (4 ohm)	Three speakers per channel (2.67 ohm)	Four speakers per channel (2 ohm)
iK41	One channel	1 of 4	Yes	Yes	Yes	-1.2 dB
	Two channels bridged	2 of 4	NN	NN	NN	No
iK42	One channel	1 of 4	Yes	Yes	Yes	Yes
	Two channels bridged	2 of 4	NN	NN	NN	NN
iK81	One channel	1 of 8	Yes	Yes	-0.8 dB	-2.0 dB
	Two channels bridged	2 of 8	NN	NN	No	No
VIA5004	One channel	1 of 4	-0.5 dB	-1.0 dB	-2.0 dB	-2.0 dB
	Two channels bridged	2 of 4	Yes	Yes	No	No
VIA2502	One channel	1 of 2	-0.5 dB	-1.0 dB	-2.0 dB	-2.0 dB
	Two channels bridged	2 of 2	Yes	Yes	No	No
VIA5002	One channel	1 of 2	Yes	Yes	No	No
	Bridging not available	NA	NA	NA	NA	NA
VIA2004	One channel	1 of 4	No	No	No	No
	Bridging not available	NA	NA	NA	NA	NA

For explanation, see [Amplifier compatibility legend \(page 45\)](#).

CDD12 amplifier compatibility

Amplifier	Channels	Channels used	One speaker per channel (8 ohm)	Two speakers per channel (4 ohm)	Three speakers per channel (2.67 ohm)	Four speakers per channel (2 ohm)
iK41	One channel	1 of 4	Yes	Yes	-0.8 dB	-2.0 dB
	Two channels bridged	2 of 4	NN	NN	No	No
iK42	One channel	1 of 4	Yes	Yes	Yes	Yes
	Two channels bridged	2 of 4	NN	NN	NN	NN
iK81	One channel	1 of 8	Yes	Yes	-1.6 dB	No
	Two channels bridged	2 of 8	NN	NN	No	No
VIA5004	One channel	1 of 4	-1.2 dB	-1.8 dB	No	No
	Two channels bridged	2 of 4	Yes	Yes	No	No
VIA2502	One channel	1 of 2	-1.2 dB	-1.8 dB	No	No
	Two channels bridged	2 of 2	Yes	Yes	No	No
VIA5002	One channel	1 of 2	Yes	Yes	No	No
	Bridging not available	NA	NA	NA	NA	NA
VIA2004	One channel	1 of 4	No	No	No	No
	Bridging not available	NA	NA	NA	NA	NA

For explanation, see [Amplifier compatibility legend \(page 45\)](#).

CDD15 amplifier compatibility

Amplifier	Channels	Channels used	One speaker per channel (8 ohm)	Two speakers per channel (4 ohm)	Three speakers per channel (2.67 ohm)	Four speakers per channel (2 ohm)
iK41	One channel	1 of 4	-0.3 dB	-0.3 dB	-2.0 dB	No
	Two channels bridged	2 of 4	Yes	Yes	No	No
iK42	One channel	1 of 4	Yes	Yes	Yes	Yes
	Two channels bridged	2 of 4	NN	NN	NN	NN
iK81	One channel	1 of 8	Yes	-1.1 dB	No	No
	Two channels bridged	2 of 8	NN	Yes	No	No
VIA5004	One channel	1 of 4	No	No	No	No
	Two channels bridged	2 of 4	Yes	Yes	No	No
VIA2502	One channel	1 of 2	No	No	No	No
	Two channels bridged	2 of 2	Yes	Yes	No	No
VIA5002	One channel	1 of 2	Yes	Yes	No	No
	Bridging not available	NA	NA	NA	NA	NA
VIA2004	One channel	1 of 4	No	No	No	No
	Bridging not available	NA	NA	NA	NA	NA

For explanation, see [Amplifier compatibility legend \(page 45\)](#).

Amplifier compatibility legend

Yes	The amplifier channel can deliver the required power to achieve the full pink noise rated output of the loudspeaker, providing a reasonable amount of headroom for dynamic music content.
-1.0 dB	The amplifier channel provides sufficient power to meet the loudspeaker's RMS requirements (based on a 20 Hz – 20 kHz sine wave). However, it is unable to deliver the 6 dB peaks found in the AES pink noise test signal, which more accurately reflects the demands of dynamic music content. The table shows the shortfall in dynamic headroom, expressed in decibels.
No	The amplifier channel does not meet the loudspeaker's pink noise or RMS power requirements and is therefore not recommended. However, it may still be suitable if the application does not demand the full rated output of the loudspeaker.
NN	Not needed: channel bridging is unnecessary, as a single amplifier channel provides sufficient power to drive the speaker.
NA	Not available: channel bridging isn't available with this amplifier.

Note that it is far more likely that an underpowered amplifier will damage a loudspeaker than one with excess power. Modern limiters in speaker presets can safely manage the amplifier's output. However, driving a system into distortion due to an insufficiently powered amplifier can cause heat buildup and lead to voice coil burnout, which is the most common form of loudspeaker damage.

If you need assistance with system design, please contact [Technical Support \(page 79\)](#).

Amplifiers for 70/100 V systems

For a 70/100 V line system, use one of the following amplifiers:

- Martin Audio VIA5002. This is the only VIA amplifier that supports 70/100 V line systems.
- Martin Audio iKON amplifiers (iK41, iK42 and iK81). Note that the iKON amplifiers have on-board system processing, so you don't need a separate system controller with these amplifiers.

Amplifier	Power output
VIA5002	2 x 2,500 W, 70 V line
	2 x 2,500 W, 100 V line
iK41	4 x 1,500 W, 70 V line
	4 x 1,163 W, 100 V line
iK42	4 x 3,500 W, 70 V line
	4 x 5,000 W, 100 V line
iK81	8 x 1,250 W, 70 V line
	8 x 1,250 W, 100 V line

For further details, see our website martin-audio.com.

Other amplifiers

If you use power amplifiers from other manufacturers, the amplifiers must be capable of delivering the necessary power into the combined impedance of the cabinets.

Note that many amplifiers suffer sonic degradation when driving low load impedances or, worse still, shut down.

You must check the specification of the power amplifiers and conduct listening tests before committing to a very low impedance system design.

With amplifiers from other manufacturers, you will also need a [system controller \(page 48\)](#).

The table below specifies the recommended minimum amplifier rating for each of the CDD speakers.

Model	Rating, AES	Impedance	Minimum amplifier
CDD5	100 W	8 ohm	400 W into 4 ohm
CDD6	150 W	8 ohm	600 W into 4 ohm
CDD8	200 W	8 ohm	800 W into 4 ohm
CDD10	250 W	8 ohm	1,000 W into 4 ohm
CDD12	300 W	8 ohm	1,200 W into 4 ohm
CDD15	400 W	8 ohm	1,600 W into 4 ohm

System controllers

If you use VIA amplifiers (or amplifiers from other manufacturers), you also need a system controller. We recommend the Martin Audio DX4.0, DX0.4 or DX0.6. For further details, see our website martin-audio.com.

If you use an iKON amplifier (iK41, iK42 or iK81), you don't need a system controller as these amplifiers have on-board digital processing. For further details, see our website martin-audio.com.

Each of these system controllers and iKONs have presets for CDD loudspeakers and SX subwoofers (and other Martin Audio loudspeakers) to give you the best possible performance from your system.

DX4.0 and iKON amplifier presets

To recall DX4.0 and iKON presets, use **Vu-Net** or the front panel.

- For details of **Vu-Net**, go to our website martin-audio.com, select **Support > Software/Firmware**, scroll to the **Vu-Net** section and click **USER GUIDE**.
- For details of the front panel, go to our website martin-audio.com, select **Support > User Guides**, scroll to the **Electronics** section and click on **DX4.0, iK41, iK42 or iK81**.

DX0.4 and DX0.6 presets

To recall DX0.4 and DX0.6 presets, use the **DX0.4 and DX0.6 Control Software** or the front panel.

- For details of the **DX0.4 and DX0.6 Control Software**, go to our website martin-audio.com, select **Support > Software/Firmware**, scroll to the **DX0.4 and DX0.6 Control Software** section and click **USER GUIDE**.
- For details of the front panel, go to our website martin-audio.com, select **Support > User Guides**, scroll to the **Electronics** section and click on **DX0.4 or DX0.6**.

Using other controllers

If you use a controller from another manufacturer, you need to configure settings such as crossovers, limiters and equalisation points. You can find these settings in our **Loudspeaker parameter spreadsheet**, which we provide as a free download. For details of how to use the

spreadsheet, read the instructions in the spreadsheet or watch the video guide.

To download the loudspeaker parameter spreadsheet

1. Go to our website martin-audio.com.
2. Select **Support > Loudspeaker Settings**.
3. Scroll to **CURRENT-PRODUCT-PARAMETERS** and click **DOWNLOAD**.

To watch the video guide

1. Go to our website martin-audio.com.
2. Select **Support > Loudspeaker Settings**.
3. Scroll to **PARAMETER VIDEO** and click **VIDEO**.

Subwoofers

You can pair any CDD with any of our SX or BlacklineQ subwoofers, so you can pair a CDD5 with an SX218 if you really want to. But some combinations make more sense than others, so we've shown those in the table below:

	CDD5	CDD6	CDD8	CDD10	CDD12	CDD15
SX110	Yes	Yes				
SX210 or Q210	Yes	Yes	Yes			
SX112	Yes	Yes	Yes	Yes		
SX212	Yes	Yes	Yes	Yes	Yes	
SX115		Yes	Yes	Yes	Yes	
SXC115		Yes	Yes	Yes	Yes	
SX215			Yes	Yes	Yes	Yes
SX118 or Q118				Yes	Yes	Yes
SXC118				Yes	Yes	Yes
SX218 or Q218					Yes	Yes

For details of the SX and BlacklineQ subwoofers, see our website martin-audio.com.

Subwoofer location

Subwoofers have omnidirectional dispersion characteristics, so the location of the sub can be dictated by convenience and practicality; this is usually somewhere on the floor. With a stereo system it is often only necessary to use a single subwoofer; the active crossover will generate the mono LF feed required.

Weatherised CDDs

The weatherised versions of CDDs have factory-fitted weather proofing components and are available in black or white. These versions have two additional layers of protection behind the front grille:

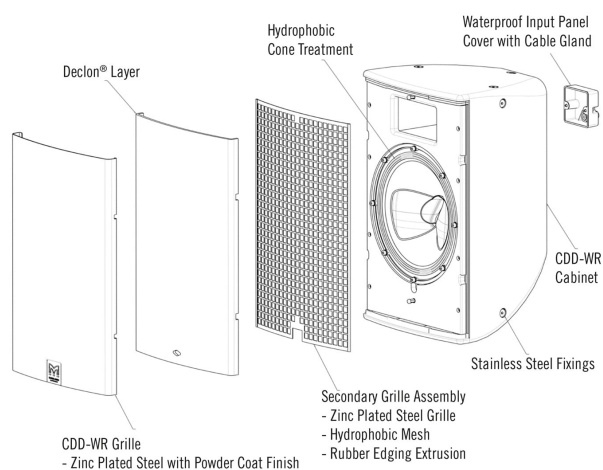
1. A Declon® (synthetic fibre) layer.
2. A zinc-plated steel grille assembly with a hydrophobic (water-repellent) coating and a rubber edge extrusion.

In addition:

- The LF driver cone has a hydrophobic coating.
- The rear connection panel is protected by a gasketed cover with a cable gland.
- The fixing points are stainless steel.

The weatherised versions meet environmental testing to IP rating IP54.

The operating temperature is -20°C to $+70^{\circ}\text{C}$.



Marine CDDs

Use the marine versions of CDD for installations on cruise ships and at beachside locations. These versions are engineered and tested for saltwater environments and meet IEC 529 requirements with an IP54 rating. They have been UV tested to BS EN ISO 4892–2:2013 method A – cycle B, accelerated 1600-hour UV test.

Use the marine versions of CDD for poolside installations where chlorine and other chemicals may be present. Although we have not tested for chlorine exposure, these speakers have been installed in these locations without reported issues.

The operating temperature is –20°C to +70°C.

Cabinets

- Cabinet construction consists of an injection moulded back shell. This is fabricated from a durable polypropylene cellulose reinforced composite material, finished with a UV stabilised Plastilack paint.
- Front baffle and cabinet bracing are fabricated from birch plywood, finished with a tough Polyurethane paint with a UV resistant topcoat.
- Baffles are fixed to the cabinet with a 2-part 3M adhesive and A4 stainless steel screws.
- Internal cabinet braces are fixed using a 2-part 3M adhesive.

Fixings

- External fixings are A4 marine-grade stainless steel.
- Internal brackets are 316L stainless steel with A4 stainless steel captive nuts.

Grille

- The grille assembly is a UV resistant, 1.5 mm 316L stainless steel sheet, backed with fine polyester cloth, finished with a nylon reinforced polyester powder coat.
- A layer of Declon and a secondary 316L stainless steel grille with a hydrophobic Saati mesh.

Speaker components

- Loudspeaker cone surfaces are coated with a water proofing treatment.

Speaker cabling

■ CDD5TX-MAR and CDD6TX-MAR

These models have the same connectors and connector covers as weatherised CDD5 and CDD6. For connection instructions, see [Weatherised connections \(page 15\)](#).

■ CDD8TX-MAR and CDD10TX-MAR

These models have a factory-fitted five-core 1.5 mm² cable. For connection instructions, see [Marine connections \(page 16\)](#).

■ CDD8-MAR, CDD10-MAR, CDD12-MAR and CDD15-MAR

These models have a factory-fitted two-core 2.5 mm² cable. For connection instructions, see [Marine connections \(page 16\)](#).

■ All models except CDD5TX-MAR and CDD6TX-MAR

The factory-fitted cable is a permanently attached 3 m (9 ft 10 in) speaker cable that passes through the 316L stainless steel rear plate and is sealed with a cable gland. Internal connections are not accessible because the seals are tested at the factory.

CDD tilt and pan angles

With the latest version of the wall brackets for CDD6, 8, 10 or 12, you can increase the maximum tilt and pan angle using a [wall spacer accessory kit](#) (page 69).

			Portrait	Landscape, flat side on right, curved side on left	Landscape, flat side on left, curved side on right
CDD5	Wall bracket	Down tilt	0 to 70°	0 to 60°	0 to 60°
		Up tilt	0 to 25°	0 to 45°	0 to 45°
		Left pan	0 to 45°	0 to 45°	0 to 30°
		Right pan	0 to 45°	0 to 30°	0 to 45°
	Ceiling bracket	Down tilt	NA	0 to 60°	0 to 60°
		Up tilt	NA	0°	0°
		Left pan	NA	0 to 45°	0 to 30°
		Right pan	NA	0 to 30°	0 to 45°
CDD6	Wall bracket	Down tilt	0 to 25°	0 to 20°	0 to 20°
		Up tilt	0°	0°	0°
		Left pan	0 to 55°	0 to 45°	0 to 20°
		Right pan	0 to 50°	0 to 20°	0 to 45°
	Ceiling bracket	Down tilt	NA	0 to 35°	0 to 35°
		Up tilt	NA	0°	0°
		Left pan	NA	Set at install	Set at install
		Right pan	NA	Set at install	Set at install
CDD8	Wall bracket	Down tilt	0 to 20°	0 to 25°	0 to 25°
		Up tilt	0°	0°	0°
		Left pan	0 to 45°	0 to 20°	0 to 15°
		Right pan	0 to 45°	0 to 15°	0 to 20°
	Ceiling bracket	Down tilt	NA	0 to 35°	0 to 35°
		Up tilt	NA	0°	0°
		Left pan	NA	Set at install	Set at install
		Right pan	NA	Set at install	Set at install
CDD10	Wall bracket	Down tilt	0 to 30°	0 to 25°	0 to 25°
		Up tilt	0°	0°	0°
		Left pan	0 to 40°	0 to 20°	0 to 15°
		Right pan	0 to 45°	0 to 15°	0 to 20°
	Yoke	Down tilt	NA	0 to 90°	0 to 90°
		Up tilt	NA	0 to 90°	0 to 90°
		Left pan	NA	Set at install	Set at install
		Right pan	NA	Set at install	Set at install

		Portrait	Landscape, flat side on right, curved side on left	Landscape, flat side on left, curved side on right
CDD12	Wall bracket	Down tilt	0 to 25°	0 to 25°
		Up tilt	0°	0°
		Left pan	0 to 45°	0 to 25°
		Right pan	0 to 40°	0 to 15°
	Yoke	Down tilt	NA	0 to 90°
		Up tilt	NA	0 to 90°
		Left pan	NA	Set at install
		Right pan	NA	Set at install
CDD15	Wall bracket	Down tilt	0 to 30°	0 to 30°
		Up tilt	0°	0°
		Left pan	0 to 54°	0 to 34°
		Right pan	0 to 53°	0 to 21°
	Yoke	Down tilt	NA	0 to 90°
		Up tilt	NA	0 to 90°
		Left pan	NA	Set at install
		Right pan	NA	Set at install

CDD weights

CDD speaker weights

CDD5	3.0 kg (6.6 lbs)
CDD5TX-WR, CDD5TX-MAR	3.4 kg (7.5 lbs)
CDD6	5.7 kg (12.5 lbs)
CDD6TX-WR, CDD6TX-MAR	6.8 kg (14.9 lbs)
CDD8	9.5 kg (21.0 lbs)
CDD8-WR, CDD8-MAR	9.8 kg (21.6 lbs)
CDD8TX	11.1 kg (24.5 lbs)
CDD8TX-WR, CDD8TX-MAR	11.4 kg (25.1 lbs)
CDD10	15.3 kg (33.7 lbs)
CDD10-WR, CDD10-MAR	15.5 kg (34.2 lbs)
CDD10TX	16.9 kg (37.2 lbs)
CDD10TX-WR, CDD10TX-MAR	17.1 kg (37.7 lbs)
CDD12	19.0 kg (41.9 lbs)
CDD12-WR, CDD12-MAR	19.8 kg (43.7 lbs)
CDD15	26.0 kg (57.3 lbs)
CDD15-WR, CDD15-MAR	28.3 kg (62.4 lbs)

CDD accessory weights

CDD5	Wall bracket	ASM10001 or ASM10002	0.1 kg (0.3 lb)
	Ceiling bracket	CDDCB5	0.5 kg (1.2 lb)
CDD6	Wall bracket	WB6/8	0.6 kg (1.4 lb)
	Ceiling bracket	CDDCB6/8	1.5 kg (3.4 lb)
CDD8	Wall bracket	WB6/8	0.6 kg (1.4 lb)
	Ceiling bracket	CDDCB6/8	1.5 kg (3.4 lb)
CDD10	Wall bracket	WB10/12	1.3 kg (2.8 lb)
	Yoke	CDDY10	4.1 kg (8.9 lb)
CDD12	Wall bracket	WB10/12	1.3 kg (2.8 lb)
	Yoke	CDDY12	5.5 kg (12.0 lb)
CDD15	Wall bracket	WB15	3.2 kg (7.1 lb)
	Yoke	CDDY15	7.5 kg (16.6 lb)

Specifications

CDD5 models

CDD5B	Black CDD5
CDD5W	White CDD5
CDD5RAL	RAL colour CDD5
CDD5RALTX	RAL colour 70/100 V line CDD5
CDD5BTX-WR	Black weatherised 70/100 V line CDD5
CDD5WTX-WR	White weatherised 70/100 V line CDD5
CDD5BTX-MAR	Black marine 70/100 V line CDD5
CDD5WTX-MAR	White marine 70/100 V line CDD5

CDD5 specification

Type	Ultra-compact, Coaxial Differential Dispersion passive two-way system
Frequency response ¹	100 Hz – 20 kHz \pm 3 dB, –10 dB @ 70 Hz
Driver	LF: 5.25" (130 mm) with 1.25" (32 mm) voice coil, long excursion, ferrite motor system HF: 0.75" (19 mm) voice coil, fabric dome with neodymium motor system
Rated power ²	100 W AES, 400 W peak
Recommended amplifier	VIA2004, VIA2502, VIA5004, VIA5002, iK41, iK42, iK81
Sensitivity ³	90 dB
Maximum SPL ^{2,3}	110 dB continuous, 116 dB peak, 122 dB peak with crest factor 4
Nominal impedance	8 ohm
Dispersion ⁴	120°–90° horizontal 80° vertical (user-rotatable)
Crossover	2.5 kHz passive
Enclosure	3 litre, ABS
Finish	Textured paint in black (RAL 9005), white (RAL 9016) or RAL colour to order
Protective grille	Black, white or RAL to match enclosure Standard models: perforated steel with scrim cloth backing Weatherised and marine models: perforated, zinc-plated steel with scrim cloth backing, Declon synthetic fabric layer and inner, zinc-plated, hydrophobic steel mesh layer
Connectors	All models: Phoenix-style 12 A four-pole connector with screw terminals (replacement part PCX00006)
Pin connections	Input +, Input –, Link –, Link +
Fittings	6 x M5 inserts for wall and ceiling brackets
IP rating	Weatherised and marine models: IP54
Operating temperature	Weatherised and marine models: –20°C to +70°C

Dimensions	(W) 160 mm x (H) 230 mm x (D) 149 mm (W) 6.3 in x (H) 9.1 in x (D) 5.9 in
Weight CDD5	3.0 kg (6.6 lbs)
Weight CDD5TX-WR, CDD5TX-MAR	3.4 kg (7.5 lbs)
Pricing and packaging	Priced individually but sold and packaged in pairs
Accessories (supplied)	All models: Supplied with weatherised wall bracket (replacement part ASM10001 for white or ASM10002 for black) (page 67) Weatherised and marine models: Weatherproof connector cover, screws, gasket seal and cable gland (all these parts in replacement kit AIPKIT for black or AIPKIT-W for white) For spares, see CDD spare parts (page 77)
Accessories (optional)	Weatherised ceiling bracket CDDCB5B for black and CDDCB5W for white (fits to wall bracket) (page 72)

¹On-axis in open space (4 pi) with full-range preset.

²Tested for 2 hours with band-limited pink noise as specified in AES2-1984 (r2003). Peak power defined as 6 dB above AES power.

³In open space (4 pi) at 1 m with 1 watt input, measured in the 2 pi (baffle) region.

⁴In open space (4 pi) at 2 m to –6 dB.

CDD6 models

CDD6B	Black CDD6
CDD6W	White CDD6
CDD6RAL	RAL colour CDD6
CDD6RALTX	RAL colour 70/100 V line CDD6
CDD6BTX-WR	Black weatherised 70/100 V line CDD6
CDD6WTX-WR	White weatherised 70/100 V line CDD6
CDD6BTX-MAR	Black marine 70/100 V line CDD6
CDD6WTX-MAR	White marine 70/100 V line CDD6

CDD6 specification

Type	Ultra-compact, Coaxial Differential Dispersion passive two-way system
Frequency response ¹	80 Hz – 20 kHz \pm 3 dB, –10 dB @ 70 Hz
Driver	LF: 6.5" (165 mm) with 1.5" (38 mm) voice coil, long excursion, ferrite motor system HF: 1" (25 mm) voice coil, fabric dome with neodymium motor system
Rated power ²	150 W AES, 600 W peak
Recommended amplifier	VIA2502, VIA5004, VIA5002, iK41, iK42, iK81
Sensitivity ³	91 dB
Maximum SPL ^{2,3}	113 dB continuous, 119 dB peak, 125 dB peak with crest factor 4
Nominal impedance	8 ohm
Dispersion ⁴	110°–80° horizontal 80° vertical (user-rotatable)
Crossover	2.5 kHz passive
Enclosure	9 litre Sustainable wood fibre polymer composite (FSC and ISCC certified)
Finish	Textured paint in black (RAL 9005), white (RAL 9016) or RAL colour to order
Protective grille	Black, white or RAL to match enclosure Standard models: perforated steel with scrim cloth backing Weatherised and marine models: perforated, zinc-plated steel with scrim cloth backing, Declon synthetic fabric layer and inner, zinc-plated, hydrophobic steel mesh layer
Connectors	All models: Phoenix-style 12 A four-pole connector with screw terminals (replacement part PCX00006)
Pin connections	Input +, Input –, Link –, Link +
Fittings	4 x M6 inserts for wall and ceiling brackets
IP rating	Weatherised and marine models: IP54
Operating temperature	Weatherised and marine models: –20°C to +70°C
Dimensions	(W) 210 mm x (H) 325 mm x (D) 210 mm (W) 8.3 in x (H) 12.8 in x (D) 8.3 in

Weight CDD6	5.7 kg (12.5 lbs)
Weight CDD6TX-WR, CDD6TX-MAR	6.8 kg (14.9 lbs)
Pricing and packaging	Priced individually but sold and packaged in pairs
Accessories (supplied)	Weatherised and marine models: Weatherproof connector cover, screws, gasket seal and cable gland (all these parts in replacement kit ASF09005 for black or ASF09005-W for white) For spares, see CDD spare parts (page 77)
Accessories (optional)	Weatherised wall bracket WB6/8B for black, WB6/8W for white or WB6/8RAL for RAL colour (page 68) Marine wall bracket WB6/8B-MAR for black or WB6/8W-MAR for white (page 68) Wall bracket spacers SP6/8-B for black or SP6/8-W for white (page 69) Weatherised ceiling bracket CDDCB6/8B for black, CDDCB6/8W for white or CDDCB6/8RAL for RAL colour (page 73)

¹On-axis in open space (4 pi) with full-range preset.

²Tested for 2 hours with band-limited pink noise as specified in AES2-1984 (r2003). Peak power defined as 6 dB above AES power.

³In open space (4 pi) at 1 m with 1 watt input, measured in the 2 pi (baffle) region.

⁴In open space (4 pi) at 2 m to –6 dB.

CDD8 models

CDD8B	Black CDD8
CDD8W	White CDD8
CDD8RAL	RAL colour CDD8
CDD8BTX	Black 70/100 V line CDD8
CDD8WTX	White 70/100 V line CDD8
CDD8B-WR	Black weatherised CDD8
CDD8W-WR	White weatherised CDD8
CDD8BTX-WR	Black weatherised 70/100 V line CDD8
CDD8WTX-WR	White weatherised 70/100 V line CDD8
CDD8B-MAR	Black marine CDD8
CDD8W-MAR	White marine CDD8
CDD8BTX-MAR	Black marine 70/100 V line CDD8
CDD8WTX-MAR	White marine 70/100 V line CDD8

CDD8 specification

Type	Ultra-compact, Coaxial Differential Dispersion passive two-way system
Frequency response ¹	70 Hz – 20 kHz \pm 3 dB, –10 dB @ 70 Hz
Driver	LF: 8" (200 mm) with 2" (50 mm) voice coil, long excursion, shared ferrite motor system with HF HF: 1" (25 mm) exit with 1.4" (38 mm) voice coil, polyimide dome compression driver
Rated power ²	200 W AES, 800 W peak
Recommended amplifier	VIA2502, VIA5004, VIA5002, iK41, iK42, iK81
Sensitivity ³	94 dB
Maximum SPL ^{2,3}	117 dB continuous, 123 dB peak, 129 dB peak with crest factor 4
Nominal impedance	8 ohm
Dispersion ⁴	110°–80° horizontal 60° vertical (user-rotatable)
Crossover	2.3 kHz passive
Enclosure	14 litre Sustainable wood fibre polymer composite (FSC and ISCC certified)
Finish	Textured paint in black (RAL 9005), white (RAL 9016) or RAL colour to order
Protective grille	Black, white or RAL to match enclosure Standard models: perforated steel with scrim cloth backing Weatherised and marine models: perforated, zinc-plated steel with scrim cloth backing, Declon synthetic fabric layer and inner, zinc-plated, hydrophobic steel mesh layer

Connectors	Standard and weatherised models: Phoenix-style 12 A four-pole connector with screw terminals (replacement part PCX00006) TX and weatherised TX models: five-pole terminal block with spring connections Marine models: factory fitted 3 m (9 ft 10 in) cable (internal connections not accessible)
Pin connections	Standard and weatherised models, left to right: Input +, Input –, Link –, Link +
Fittings	6 x M6 inserts for wall and ceiling brackets
IP rating	Weatherised and marine models: IP54
Operating temperature	Weatherised and marine models: –20°C to +70°C
Dimensions	(W) 256 mm x (H) 410 mm x (D) 253 mm (W) 10.1 in x (H) 16.1 in x (D) 10 in
Weight CDD8	9.5 kg (21.0 lbs)
Weight CDD8-WR, CDD8-MAR	9.8 kg (21.6 lbs)
Weight CDD8TX	11.1 kg (24.5 lbs)
Weight CDD8TX-WR, CDD8TX-MAR	11.4 kg (25.1 lbs)
Pricing and packaging	Priced, sold and packaged individually
Accessories (supplied)	Weatherised models: Weatherproof connector cover (black only), screws, gasket seal and cable gland (all these parts in replacement kit ASF09006) For spares, see CDD spare parts (page 77)
Accessories (optional)	Weatherised wall bracket WB6/8B for black, WB6/8W for white or WB6/8RAL for RAL colour (page 68) Marine wall bracket WB6/8B-MAR for black or WB6/8W-MAR for white (page 68) Wall bracket spacers SP6/8-B for black or SP6/8-W for white (page 69) Weatherised ceiling bracket CDDCB6/8B for black, CDDCB6/8W for white or CDDCB6/8RAL for RAL colour (page 73)

¹On-axis in open space (4 pi) with full-range preset.

²Tested for 2 hours with band-limited pink noise as specified in AES2-1984 (r2003). Peak power defined as 6 dB above AES power.

³In open space (4 pi) at 1 m with 1 watt input, measured in the 2 pi (baffle) region.

⁴In open space (4 pi) at 2 m to –6 dB.

CDD10 models

CDD10B	Black CDD10
CDD10W	White CDD10
CDD10RAL	RAL colour CDD10
CDD10BTX	Black 70/100 V line CDD10
CDD10WTX	White 70/100 V line CDD10
CDD10BTX-WR	Black weatherised 70/100 V line CDD10
CDD10WTX-WR	White weatherised 70/100 V line CDD10
CDD10B-WR	Black weatherised CDD10
CDD10W-WR	White weatherised CDD10
CDD10BTX-MAR	Black marine 70/100 V line CDD10
CDD10WTX-MAR	White marine 70/100 V line CDD10
CDD10B-MAR	Black marine CDD10
CDD10W-MAR	White marine CDD10

CDD10 specification

Type	Compact, Coaxial Differential Dispersion passive two-way system
Frequency response ¹	65 Hz – 20 kHz \pm 3 dB, –10 dB @ 55 Hz
Driver	LF: 10" (250 mm) with 2.5" (63.5 mm) voice coil, long excursion, shared ferrite motor system with HF HF: 1" (25 mm) exit with 1.4" (38 mm) voice coil, polyimide dome compression driver
Rated power ²	250 W AES, 1000 W peak
Recommended amplifiers	VIA5002, iK41, iK42, iK81
Sensitivity ³	96 dB
Maximum SPL ^{2,3}	120 dB continuous, 126 dB peak, 132 dB peak with crest factor 4
Nominal impedance	8 ohm
Dispersion ⁴	110°–70° horizontal 60° vertical (user-rotatable)
Crossover	2.0 kHz passive
Enclosure	28 litre Sustainable wood fibre polymer composite (FSC and ISCC certified)
Finish	Textured paint in black (RAL 9005), white (RAL 9016) or RAL colour to order
Protective grille	Black, white or RAL to match enclosure Standard models: perforated steel with scrim cloth backing Weatherised and marine models: perforated, zinc-plated steel with scrim cloth backing, Declon synthetic fabric layer and inner, zinc-plated, hydrophobic steel mesh layer

Connectors	Standard and weatherised models: Phoenix-style four-pole 20 A connector with screw terminals (replacement part PCX00008) TX and weatherised TX models: five-pole terminal block with spring connections Marine models: factory fitted 3 m (9 ft 10 in) cable (internal connections not accessible)
Pin connections	Standard and weatherised models, left to right: Input +, Input –, Link –, Link +
Fittings	6 x M8 inserts for wall bracket 10 x M8 fly points
IP rating	Weatherised and marine models: IP54
Operating temperature	Weatherised and marine models: –20°C to +70°C
Dimensions	(W) 323 mm x (H) 515 mm x (D) 311 mm (W) 12.7 in x (H) 20.3 in x (D) 12.2 in
Weight CDD10	15.3 kg (33.7 lbs)
Weight CDD10-WR, CDD10-MAR	15.5 kg (34.2 lbs)
Weight CDD10TX	16.9 kg (37.2 lbs)
Weight CDD10TX-WR, CDD10TX-MAR	17.1 kg (37.7 lbs)
Pricing and packaging	Priced, sold and packaged individually
Accessories (supplied)	Weatherised models: Weatherproof connector cover (black only), screws, gasket seal and cable gland (all these parts in replacement kit ASF09007) For spares, see CDD spare parts (page 77)
Accessories (optional)	Weatherised wall bracket WB10/12B for black, WB10/12W for white or WB10/12RAL for RAL colour (page 70) Marine wall bracket WB10/12B-MAR for black or WB10/12W-MAR for white (page 70) Wall bracket spacers SP10/12-B for black or SP10/12-W for white (page 69) Weatherised landscape yoke CDDY10B for black or CDDY10W for white (page 74) M8 eye bolt for CDD10, 12 and 15 (HTKCT05)

¹On-axis in open space (4 pi) with full-range preset.

²Tested for 2 hours with band-limited pink noise as specified in AES2-1984 (r2003). Peak power defined as 6 dB above AES power.

³In open space (4 pi) at 1 m with 1 watt input, measured in the 2 pi (baffle) region.

⁴In open space (4 pi) at 2 m to –6 dB.

CDD12 models

CDD12B	Black CDD12
CDD12W	White CDD12
CDD12RAL	RAL colour CDD12
CDD12B-WR	Black weatherised CDD12
CDD12W-WR	White weatherised CDD12
CDD12B-MAR	Black marine CDD12
CDD12W-MAR	White marine CDD12

CDD12 specification

Type	Compact, high-output, Coaxial Differential Dispersion passive two-way system
Frequency response ¹	62 Hz – 20 kHz \pm 3 dB, –10 dB @ 50 Hz
Driver	LF: 12" (300 mm) with 2.5" (63.5 mm) voice coil, long excursion, shared ferrite motor system with HF HF: 1" (25 mm) exit with 1.7" (44 mm) voice coil, polyimide dome compression driver
Rated power ²	300 W AES, 1200 W peak
Recommended amplifier	VIA5002, iK41, iK42, iK81
Sensitivity ³	97 dB
Maximum SPL ^{2,3}	122 dB continuous, 128 dB peak, 134 dB peak with crest factor 4
Nominal impedance	8 ohm
Dispersion ⁴	110° –60° horizontal 60° vertical (user-rotatable)
Crossover	1.9 kHz passive
Enclosure	38 litre Standard models: marine grade birch plywood Weatherised and marine models: sustainable wood fibre polymer composite (FSC and ISCC certified)
Finish	Textured paint in black (RAL 9005), white (RAL 9016) or RAL colour to order
Protective grille	Black, white or RAL to match enclosure Standard models: perforated steel with scrim cloth backing Weatherised and marine models: perforated, zinc-plated steel with scrim cloth backing, Declon synthetic fabric layer and inner, zinc-plated, hydrophobic steel mesh layer
Connectors	Standard and weatherised models: Phoenix-style 20 A four-pole connector with screw terminals (replacement part PCX00008) TX and weatherised TX models: five-pole terminal block with spring connections Marine models: factory fitted 3 m (9 ft 10 in) cable (internal connections not accessible)
Pin connections	Standard and weatherised models, left to right: Input +, Input –, Link –, Link +
Fittings	6 x M8 inserts for wall bracket 10 x M8 fly points

IP rating	Weatherised and marine models: IP54
Operating temperature	Weatherised and marine models: –20°C to +70°C
Dimensions	(W) 357 mm x (H) 571 mm x (D) 348 mm (W) 14.1 in x (H) 22.5 in x (D) 13.7 in
Weight CDD12	19.0 kg (41.9 lbs)
Weight CDD12-WR, CDD12-MAR	19.8 kg (43.7 lbs)
Pricing and packaging	Priced, sold and packaged individually
Accessories (supplied)	Weatherised models: Weatherproof connector cover (black only), screws, gasket seal and cable gland (all these parts in replacement kit ASF09007) For spares, see CDD spare parts (page 77)
Accessories (optional)	Weatherised wall bracket WB10/12B for black, WB10/12W for white or WB10/12RAL for RAL colour (page 70) Marine wall bracket WB10/12B-MAR for black or WB10/12W-MAR for white (page 70) Wall bracket spacers SP10/12-B for black or SP10/12-W for white (page 69) Weatherised landscape yoke CDDY12B for black or CDDY12W for white (page 75) M8 eye bolt for CDD10, 12 and 15 (HTKCT05)

¹On-axis in open space (4 pi) with full-range preset.

²Tested for 2 hours with band-limited pink noise as specified in AES2-1984 (r2003). Peak power defined as 6 dB above AES power.

³In open space (4 pi) at 1 m with 1 watt input, measured in the 2 pi (baffle) region.

⁴In open space (4 pi) at 2 m to –6 dB.

CDD15 models

CDD15B	Black CDD15
CDD15W	White CDD15
CDD15RAL	RAL colour CDD15
CDD15B-WR	Black weatherised CDD15
CDD15W-WR	White weatherised CDD15
CDD15B-MAR	Black marine CDD15
CDD15W-MAR	White marine CDD15

CDD15 specification

Type	High-output, Coaxial Differential Dispersion passive two-way system
Frequency response ¹	55 Hz – 20 kHz \pm 3 dB, –10 dB @ 45 Hz
Driver	LF: 15" (380 mm) with 3" (75 mm) voice coil, long excursion, shared ferrite motor system with HF HF: 1.4" (32 mm) exit with 3" (75 mm) voice coil, titanium dome compression driver
Rated power ²	400 W AES, 1600 W peak
Recommended amplifier	VIA5002, iK41, iK42, iK81
Sensitivity ³	100 dB
Maximum SPL ^{2,3}	126 dB continuous, 132 dB peak, 138 dB peak with crest factor 4
Nominal impedance	8 ohm
Dispersion ⁴	110°–60° horizontal 60° vertical (user-rotatable)
Crossover	1.6 kHz passive
Enclosure	68 litre Standard models: marine grade birch plywood Weatherised and marine models: sustainable wood fibre polymer composite (FSC and ISCC certified)
Finish	Textured paint in black (RAL 9005), white (RAL 9016) or RAL colour to order
Protective grille	Black, white or RAL to match enclosure Standard models: perforated steel with scrim cloth backing Weatherised and marine models: perforated, zinc-plated steel with scrim cloth backing, Declon synthetic fabric layer and inner, zinc-plated, hydrophobic steel mesh layer
Connectors	Standard and weatherised models: Phoenix-style four-pole 20 A connector with screw terminals (replacement part PCX00008) TX and weatherised TX models: five-pole terminal block with spring connections Marine models: factory fitted 3 m (9 ft 10 in) cable (internal connections not accessible)
Pin connections	Standard and weatherised models, left to right: Input +, Input –, Link –, Link +
Fittings	6 x M8 inserts for wall bracket 10 x M8 fly points

IP rating	Weatherised and marine models: IP54
Operating temperature	Weatherised and marine models: –20°C to +70°C
Dimensions	(W) 425 mm x (H) 691 mm x (D) 411 mm (W) 16.7 in x (H) 27.2 in x (D) 16.2 in
Weight CDD15	26.0 kg (57.3 lbs)
Weight CDD15-WR, CDD15-MAR	28.3 kg (62.4 lbs)
Pricing and packaging	Priced, sold and packaged individually
Accessories (supplied)	Weatherised models: Weatherproof connector cover (black only), screws, gasket seal and cable gland (all these parts in replacement kit ASF09007) For spares, see CDD spare parts (page 77)
Accessories (optional)	Weatherised wall bracket WB15B for black or WB15W for white (page 71) Weatherised landscape yoke CDDY15B for black or CDDDY15W for white (page 76) M8 eye bolt for CDD10, 12 and 15 (HTKCT05)

¹On-axis in open space (4 pi) with full-range preset.

²Tested for 2 hours with band-limited pink noise as specified in AES2-1984 (r2003). Peak power defined as 6 dB above AES power.

³In open space (4 pi) at 1 m with 1 watt input, measured in the 2 pi (baffle) region.

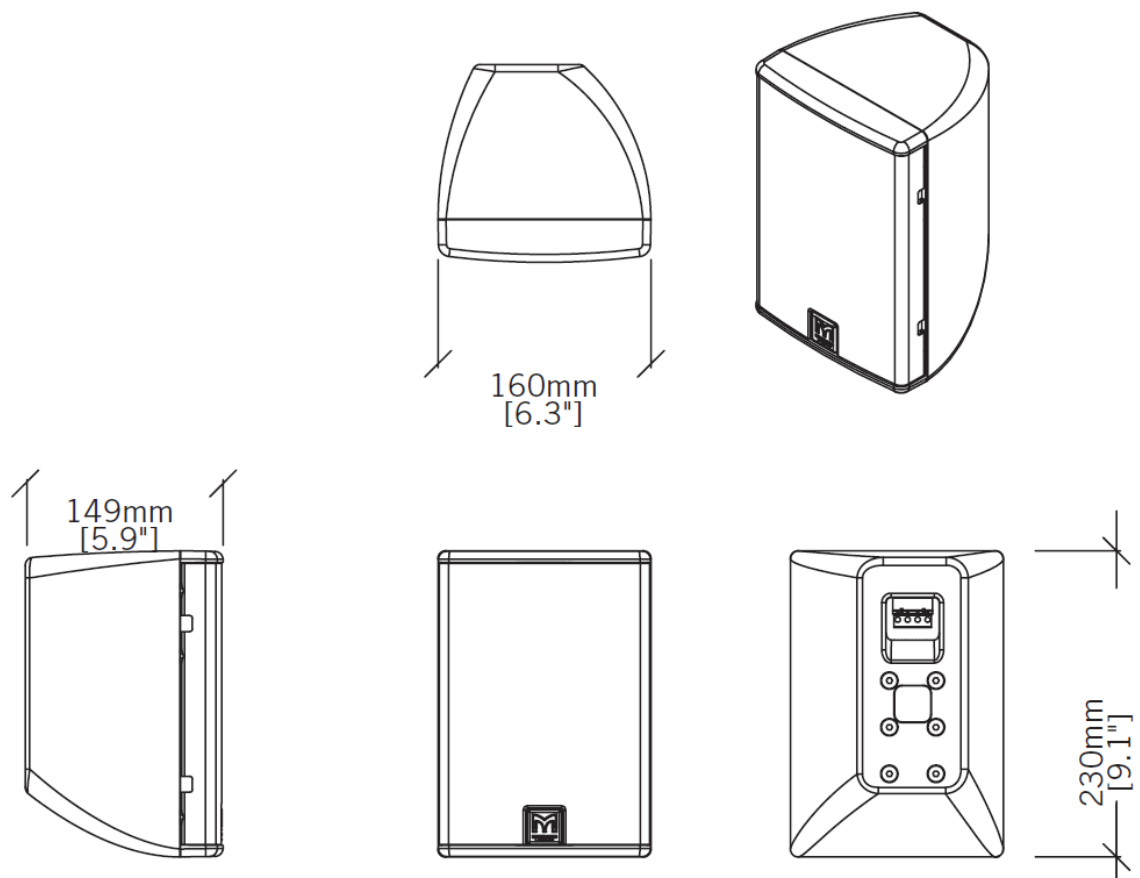
⁴In open space (4 pi) at 2 m to –6 dB.

Technical drawings of CDD speakers

CDD5 technical drawing

This drawing shows the standard speaker. The weatherised and marine versions have the same dimensions but have a weatherproof cover over the connector panel.

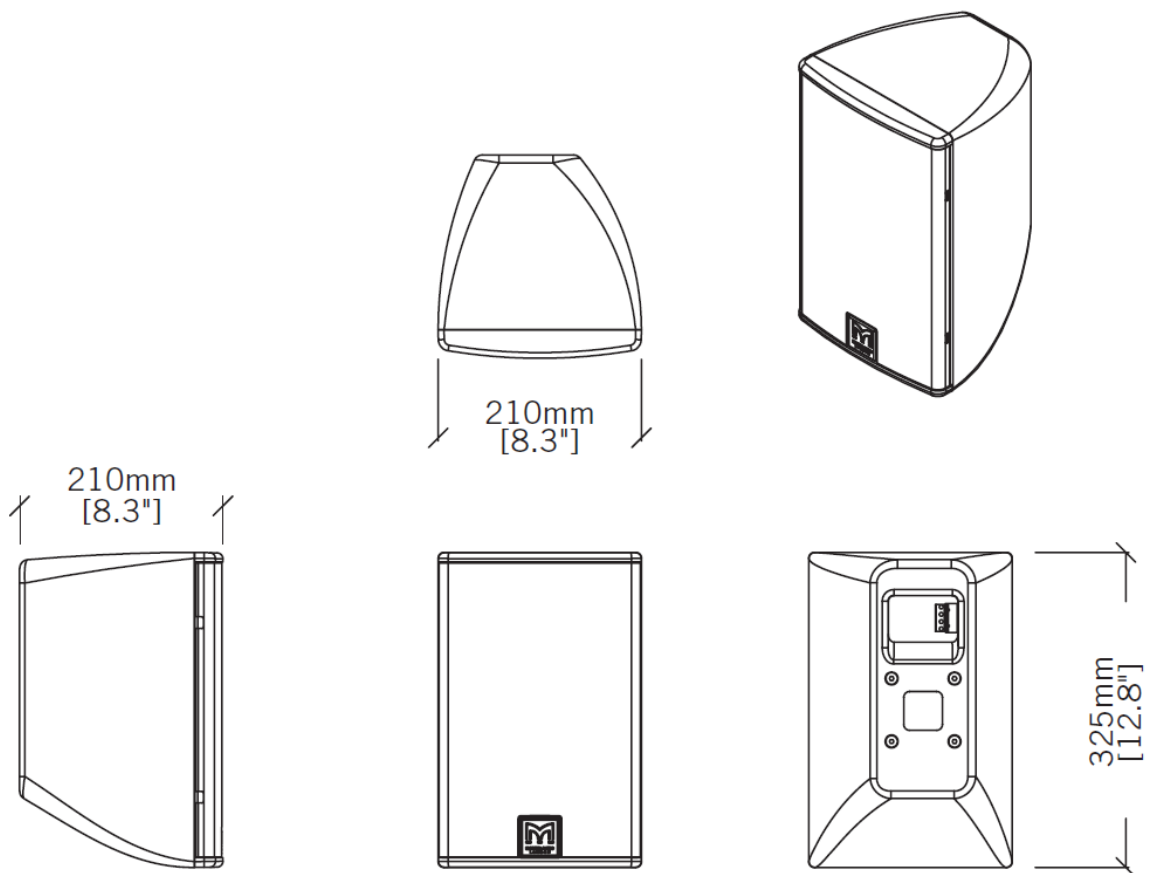
To import this drawing into CAD software, see [DWG files](#) (page 17).



CDD6 technical drawing

This drawing shows the standard speaker. The weatherised and marine versions have the same dimensions but have a weatherproof cover over the connector panel.

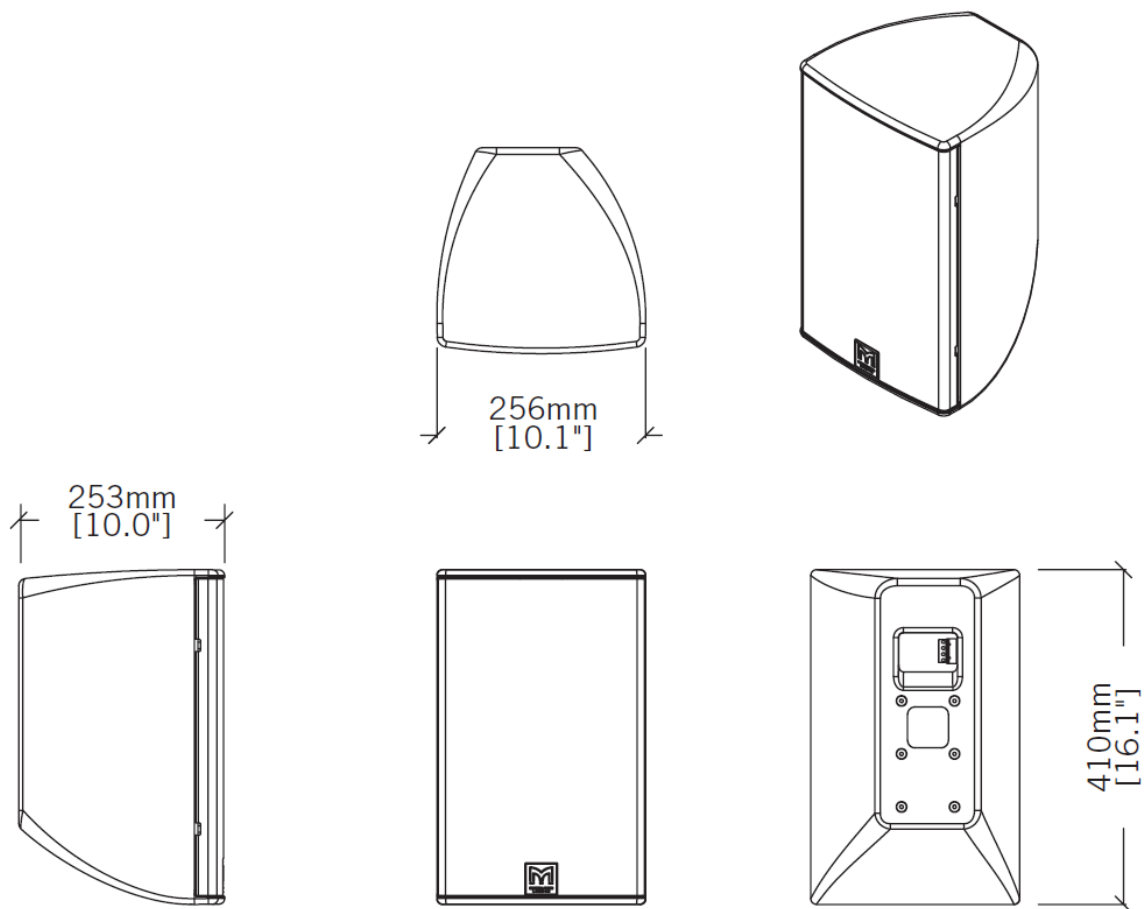
To import this drawing into CAD software, see [DWG files \(page 17\)](#).



CDD8 technical drawing

This drawing shows the standard speaker. The weatherised and marine versions have the same dimensions. The weatherised version has a weatherproof cover over the connector panel and the marine version has a factory-fitted cable.

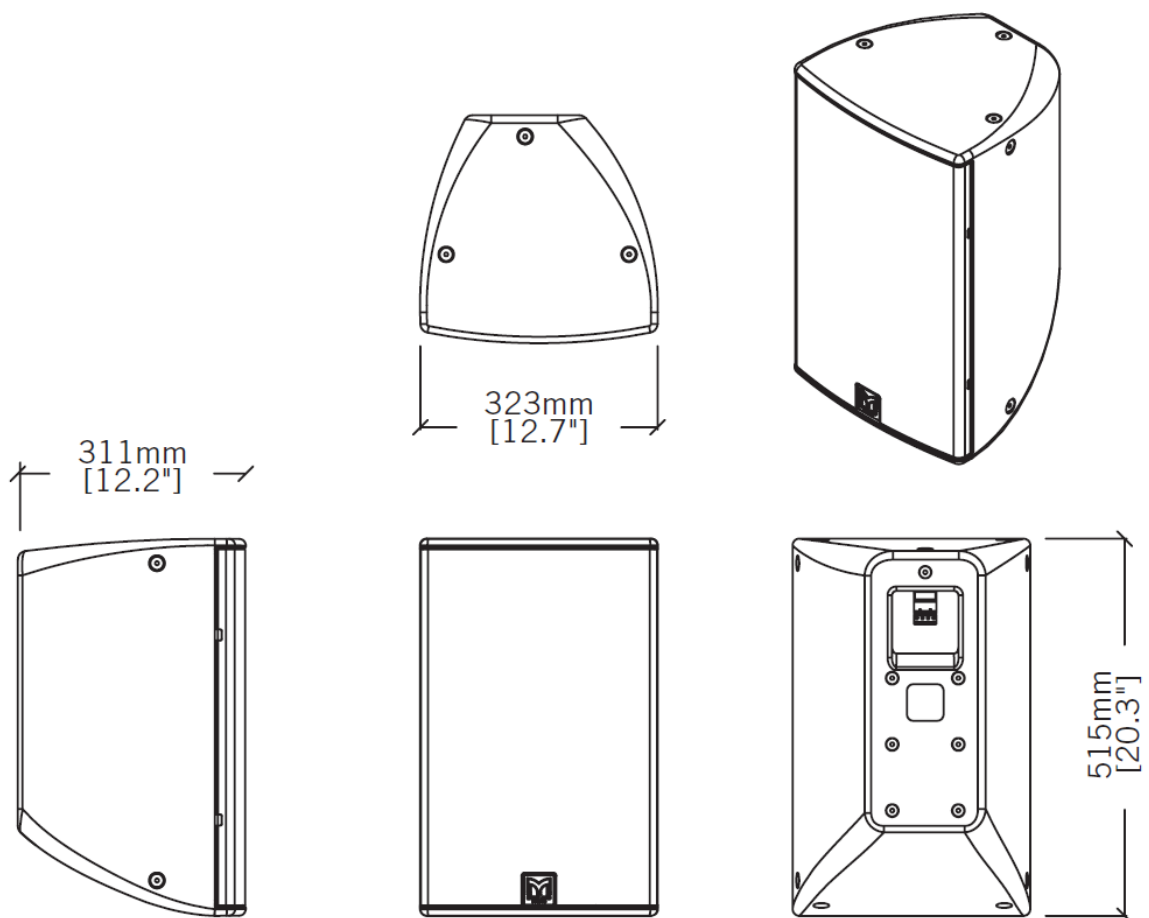
To import this drawing into CAD software, see [DWG files \(page 17\)](#).



CDD10 technical drawing

This drawing shows the standard speaker. The weatherised and marine versions have the same dimensions. The weatherised version has a weatherproof cover over the connector panel and the marine version has a factory-fitted cable.

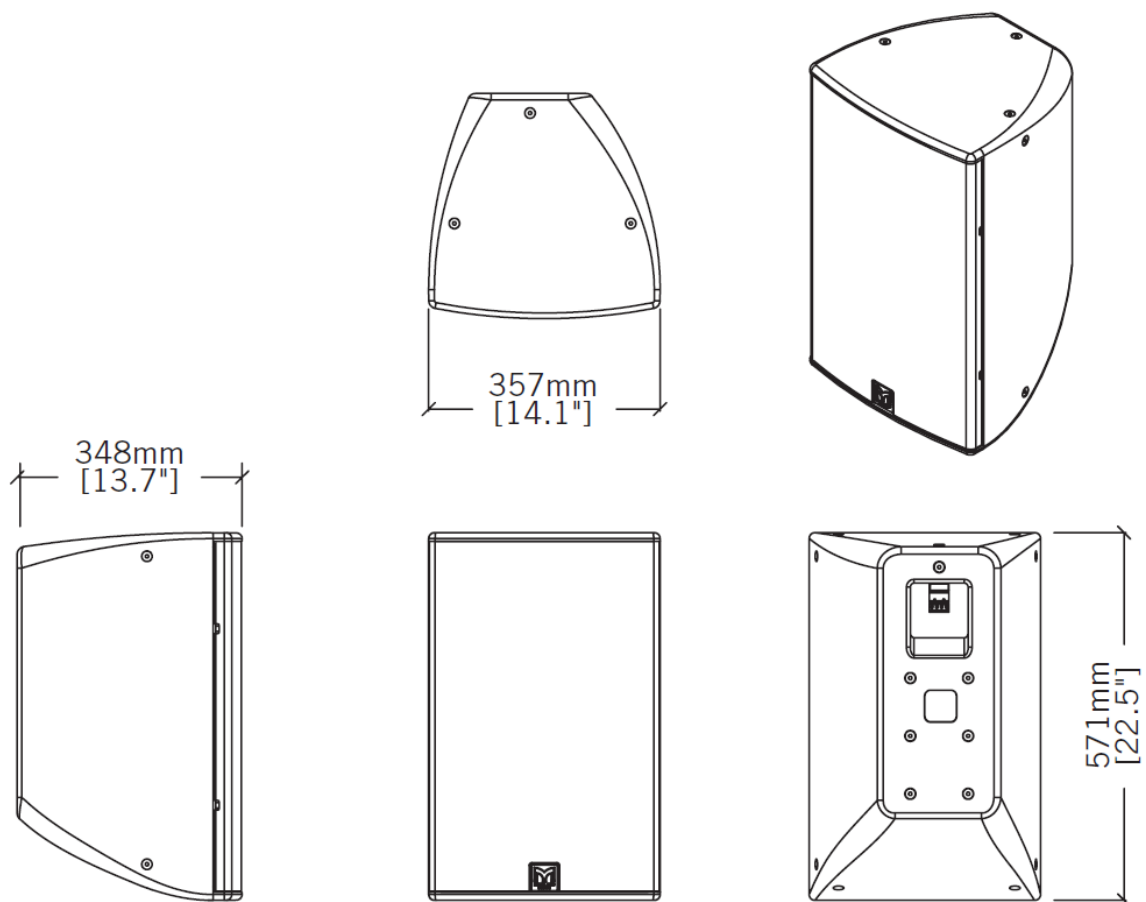
To import this drawing into CAD software, see [DWG files \(page 17\)](#).



CDD12 technical drawing

This drawing shows the standard speaker. The weatherised and marine versions have the same dimensions. The weatherised version has a weatherproof cover over the connector panel and the marine version has a factory-fitted cable.

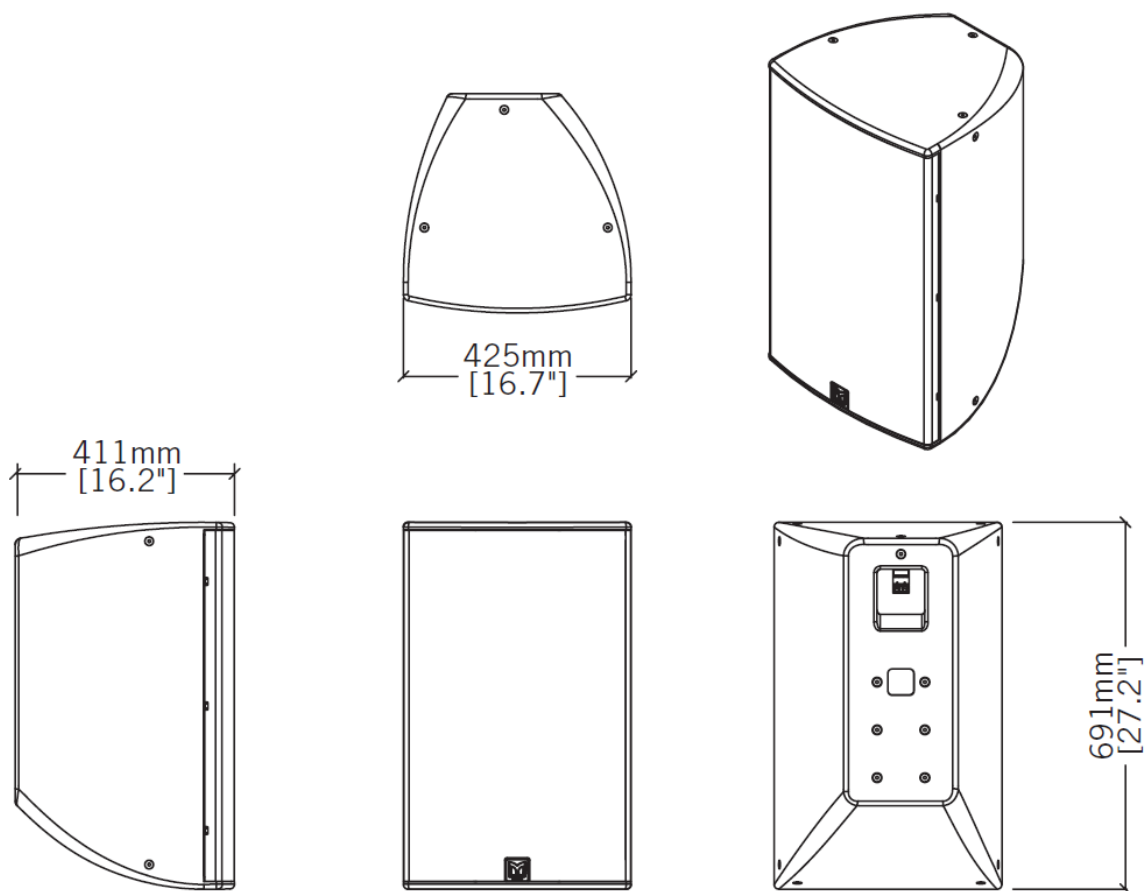
To import this drawing into CAD software, see [DWG files \(page 17\)](#).



CDD15 technical drawing

This drawing shows the standard speaker. The weatherised and marine versions have the same dimensions. The weatherised version has a weatherproof cover over the connector panel and the marine version has a factory-fitted cable.

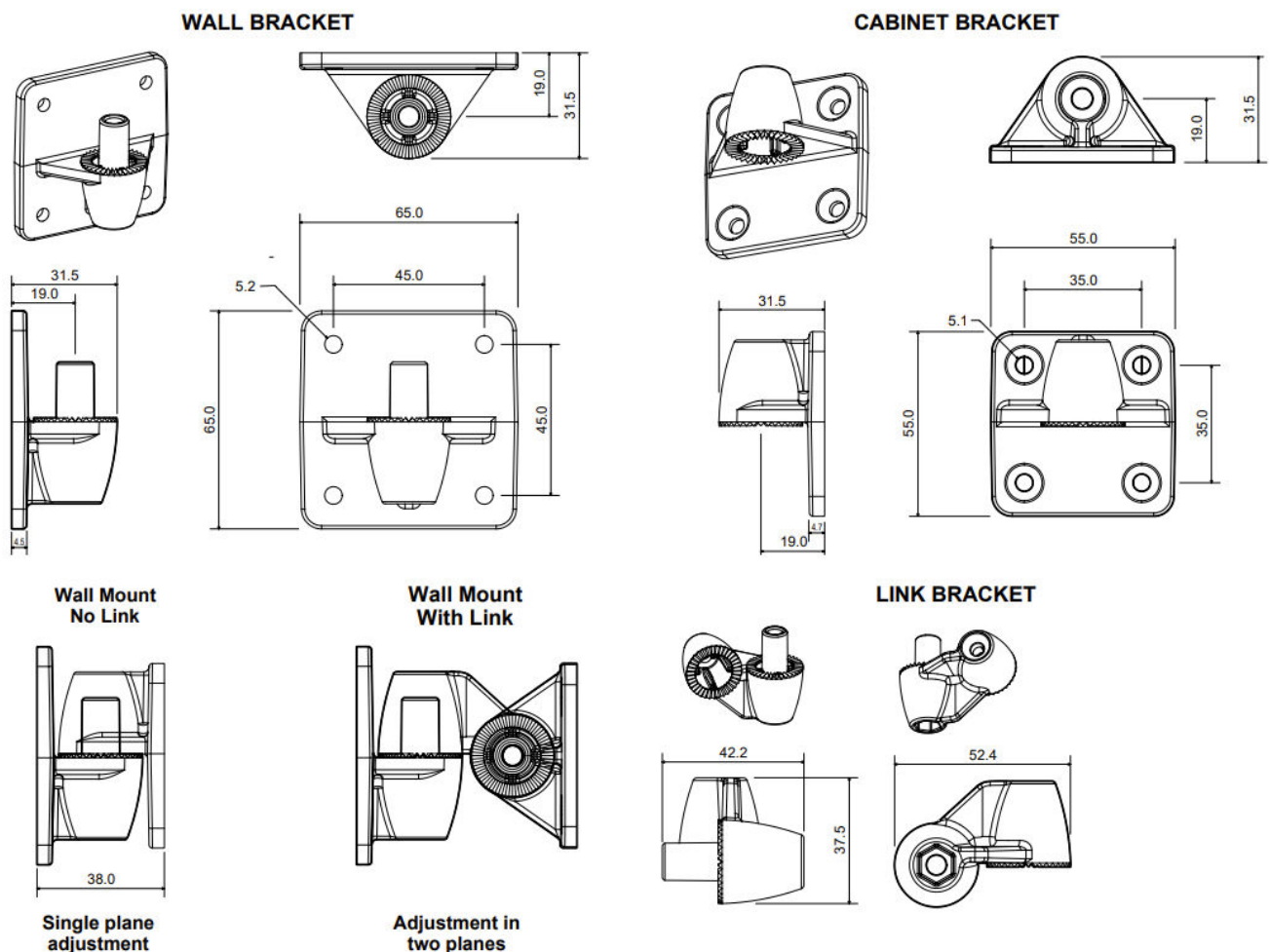
To import this drawing into CAD software, see [DWG files \(page 17\)](#).



Technical details of accessories

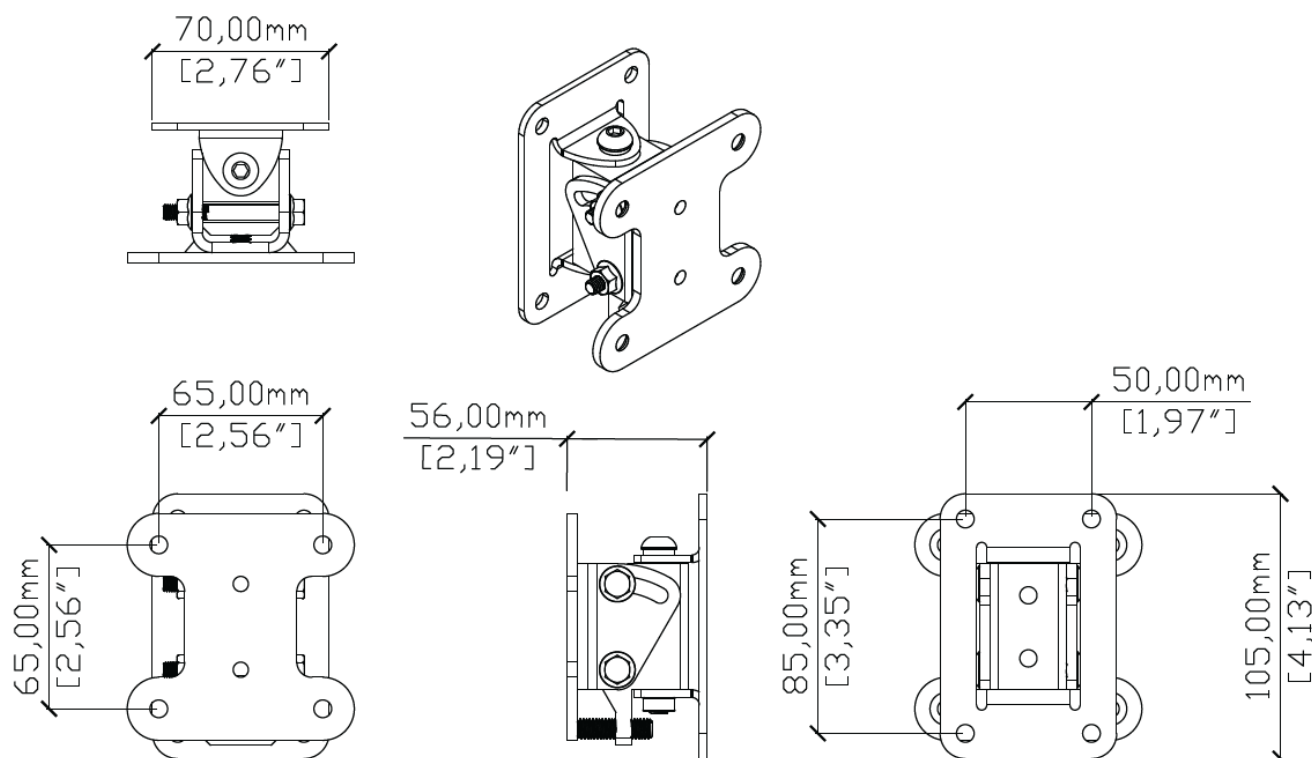
Wall bracket for CDD5

- Supplied with all models of CDD5. Replacement part: **ASM10001** for white and **ASM10002** for black.
- Weatherised for outdoor use.
- Bracket provides [tilt and pan](#) (page 52) with link section installed.
- Mount speaker in portrait or landscape.
- Wall fixing (part with peg): four 5.2 mm (0.2 in) holes.
- Weight: 0.1 kg (0.3 lb)
- To import the drawing below into CAD software, see [DWG files](#) (page 17)



Wall bracket for CDD6 and CDD8

- Product code: **WB6/8B** for black, **WB6/8W** for white or **WB6/8RAL** for RAL colour.
- Weatherised for outdoor use.
- [Marine version \(page 51\)](#) available: **WB6/8B-MAR** for black or **WB6/8W-MAR** for white.
- Bracket provides [tilt and pan \(page 52\)](#).
- Mount speaker in portrait or landscape.
- Wall spacers are available as an optional accessory for the latest version of this bracket. See [Wall spacer accessory kit \(page 69\)](#).
- Wall fixing (the rectangular section): four 7 mm (0.28 in) holes.
- Weight: 0.6 kg (1.4 lb)
- To import the drawing below into CAD software, see [DWG files \(page 17\)](#)



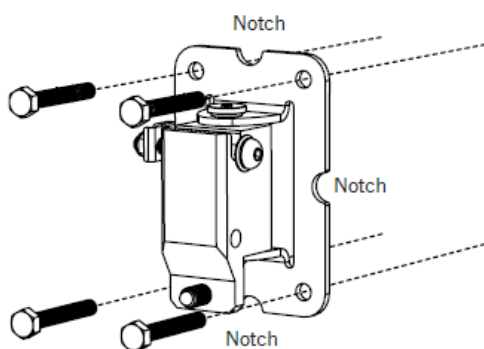
Wall spacer accessory kit

There are two wall spacer accessory kits:

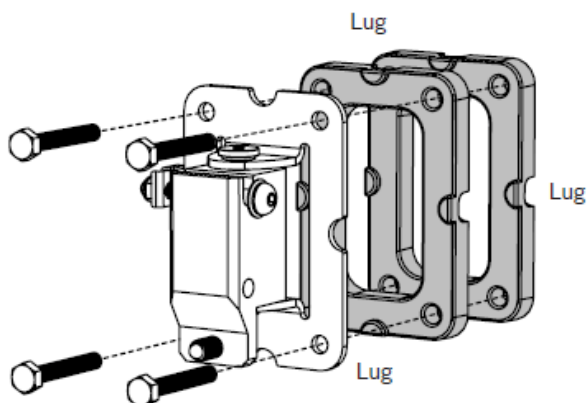
- **SP6/8** for the wall bracket for CDD6 and CDD8 (WB6/8).
- **SP10/12** for the wall bracket for CDD10 and CDD12 (WB10/12).

These optional accessory kits allow you to increase the [maximum tilt and pan angle \(page 52\)](#) available.

- Each kit contains a pair of spacers.
- Each spacer is 10 mm (0.4 in) thick.
- Fit one or two spacers behind each bracket, as required.
- Available in black (SP6/8-B and SP10/12-B) or white (SP6/8-W and SP10/12-W).
- Compatible only with the latest version of this wall bracket. This version has four notches in the outer edge of the wall section.



- Each spacer has four lugs on the front that fit into the notches in the bracket. Each spacer also has four notches on the back that connect to the lugs on the second spacer.



- The wall spacer kit is **not** compatible with the previous version of this wall bracket, which does not have notches.

Impact on pan and tilt

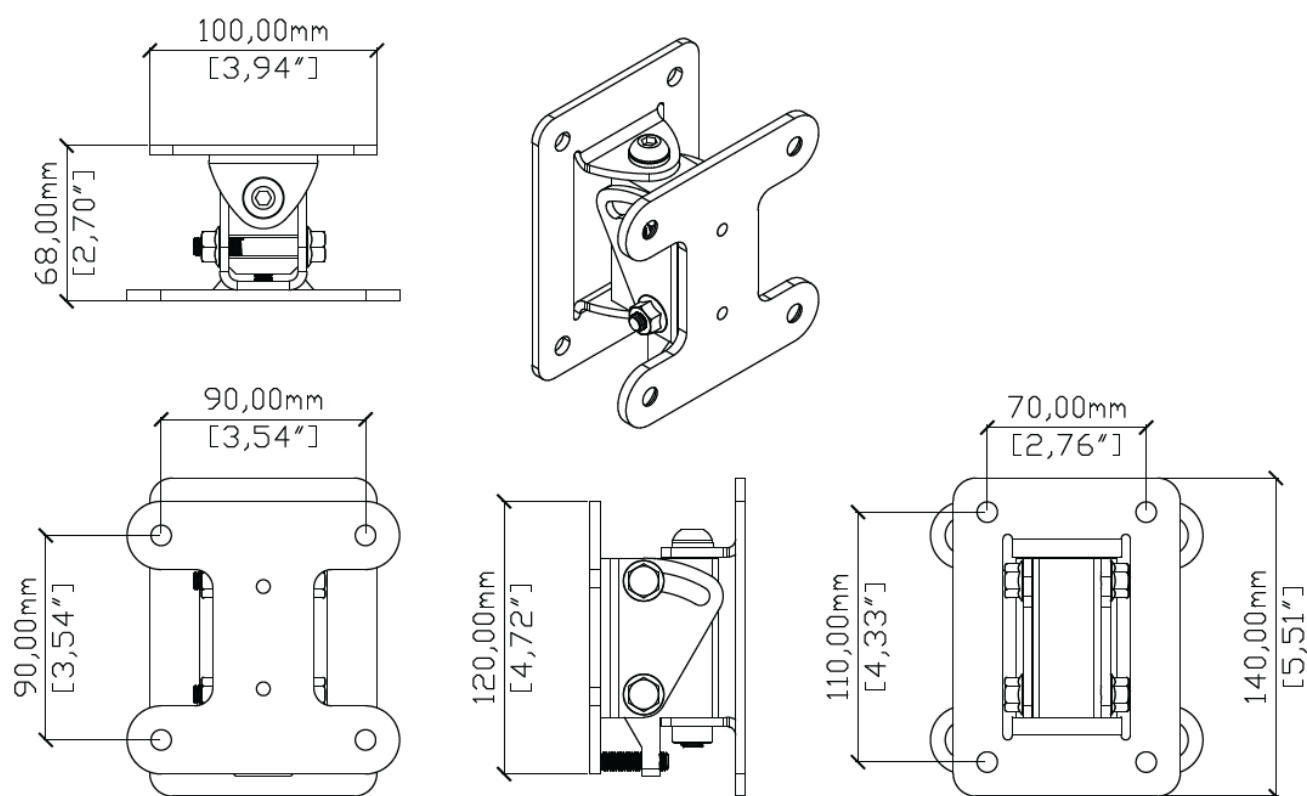
As an example of the impact of these spacers on [tilt and pan \(page 52\)](#), the maximum pan angles for CDD8 in landscape using a WB6/8 bracket are as follows:

- No spacer: 20 degrees
- One spacer: 35 degrees
- Two spacers: 42 degrees

The maximum pan angle in landscape is achieved when the curved side of the speaker is rotated toward the wall. Note that you can install the speaker either way up, allowing you to achieve the maximum pan angle to the left or the right.

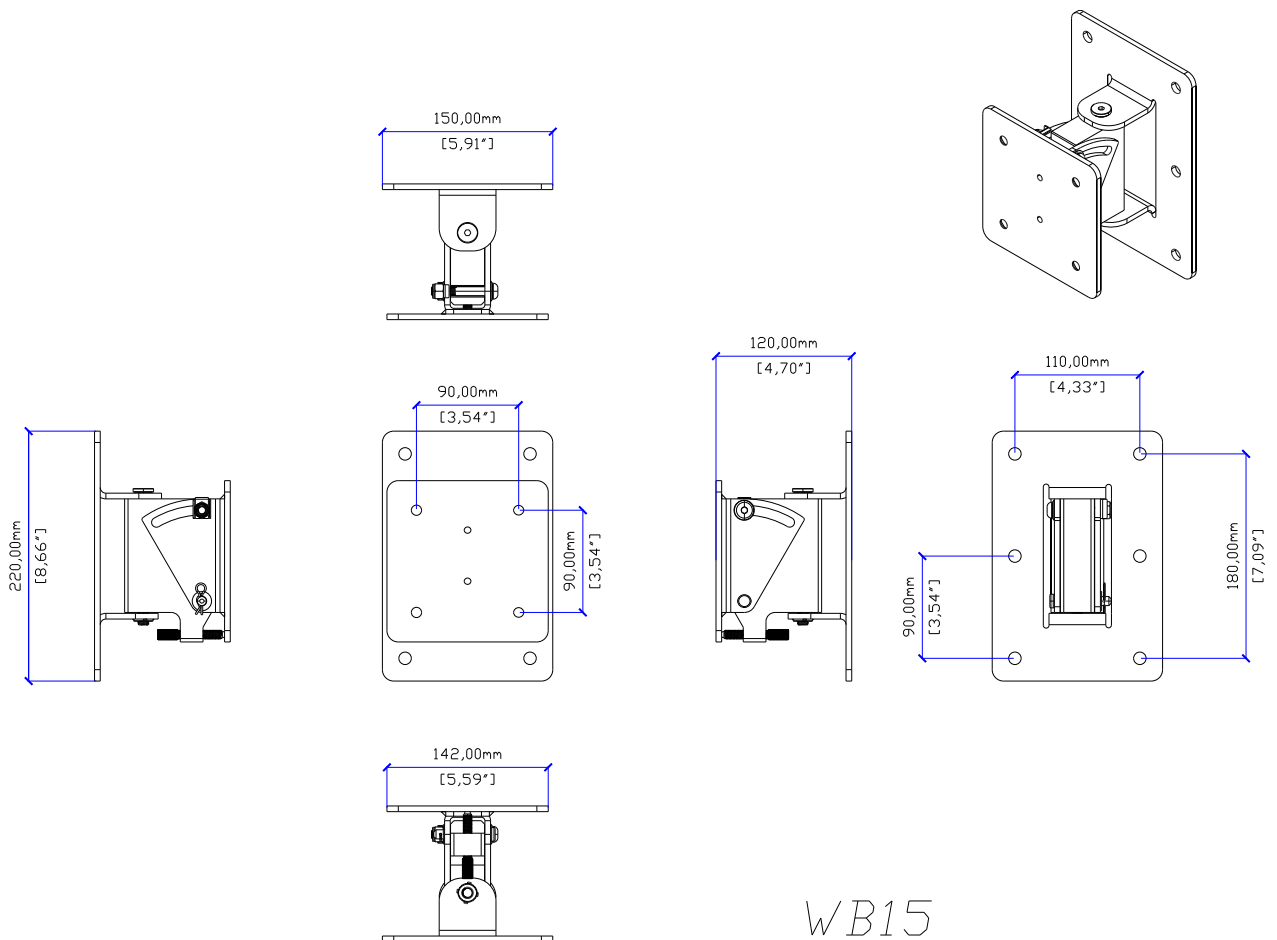
Wall bracket for CDD10 and CDD12

- Product code: **WB10/12B** for black, **WB10/12W** for white or **WB10/12RAL** for RAL colour.
- Weatherised for outdoor use.
- [Marine version \(page 51\)](#) available: **WB10/12B-MAR** for black or **WB10/12W-MAR** for white.
- Bracket provides [tilt and pan \(page 52\)](#).
- Mount speaker in portrait or landscape.
- Wall spacers are available as an optional accessory for the latest version of this bracket. See [Wall spacer accessory kit \(page 69\)](#).
- Wall fixing (the rectangular section): four 9 mm (0.35 in) holes.
- Weight: 1.3 kg (2.8 lb)
- To import the drawing below into CAD software, see [DWG files \(page 17\)](#)



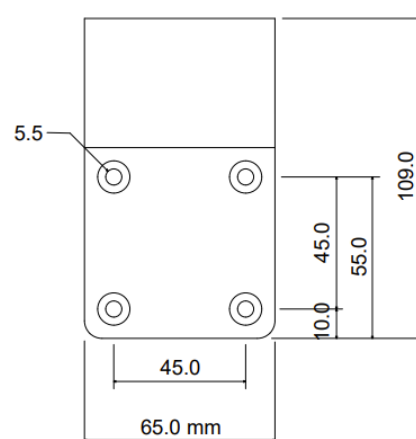
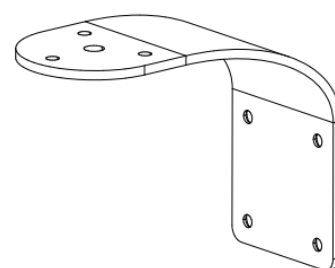
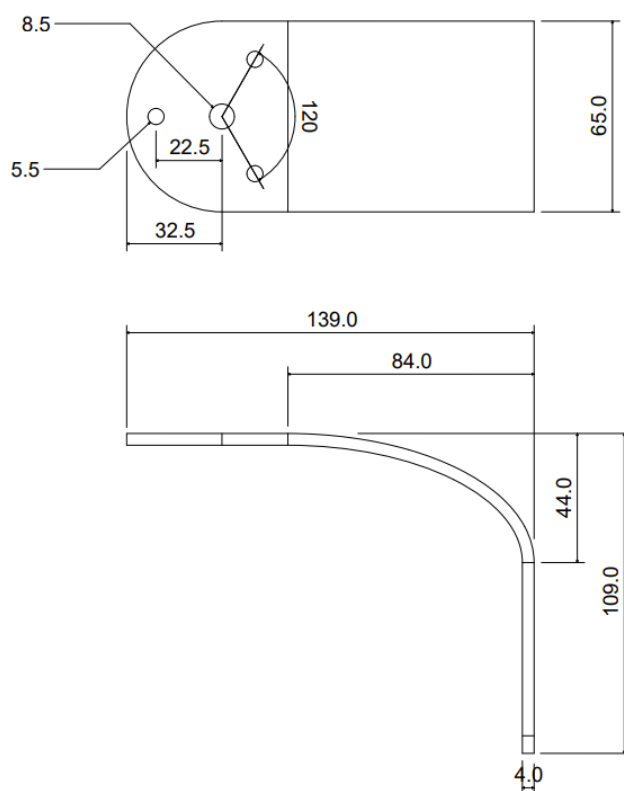
Wall bracket for CDD15

- Product code: **WB15B** for black or **WB15W** for white.
- Weatherised for outdoor use.
- Bracket provides [tilt and pan](#) (page 52).
- Mount speaker in portrait or landscape.
- Wall fixing (the rectangular section): six 11 mm (0.43 in) holes.
- Weight: 3.2 kg (7.1 lb)
- To import the drawing below into CAD software, see [DWG files](#) (page 17)



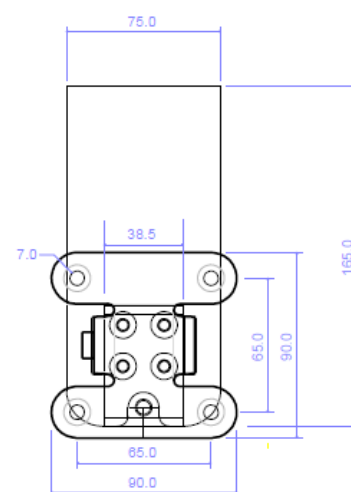
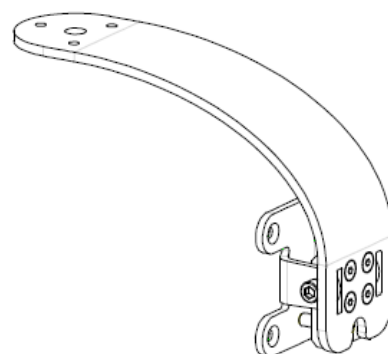
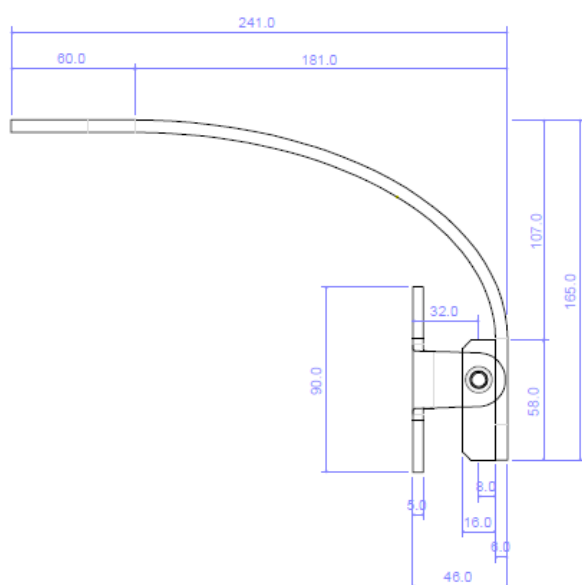
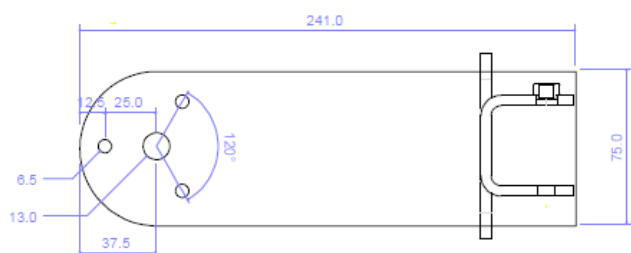
Ceiling bracket for CDD5

- Product code: **CDDCB5B** for black and **CDDCB5W** for white.
- Weatherised for outdoor use.
- Requires attachment of [wall bracket supplied with speaker \(page 67\)](#).
- Wall bracket section provides [tilt and pan \(page 52\)](#).
- Mount speaker in landscape or upside-down portrait.
- Optional attachment to third-party hardware for [truss and scaffold bar mounting \(page 37\)](#).
- Ceiling fixing: three 5.5 mm (0.22 in) holes and central 8.5 mm (0.33 in) hole.
- Weight: 0.5 kg (1.2 lb)
- To import the drawing below into CAD software, see [DWG files \(page 17\)](#)



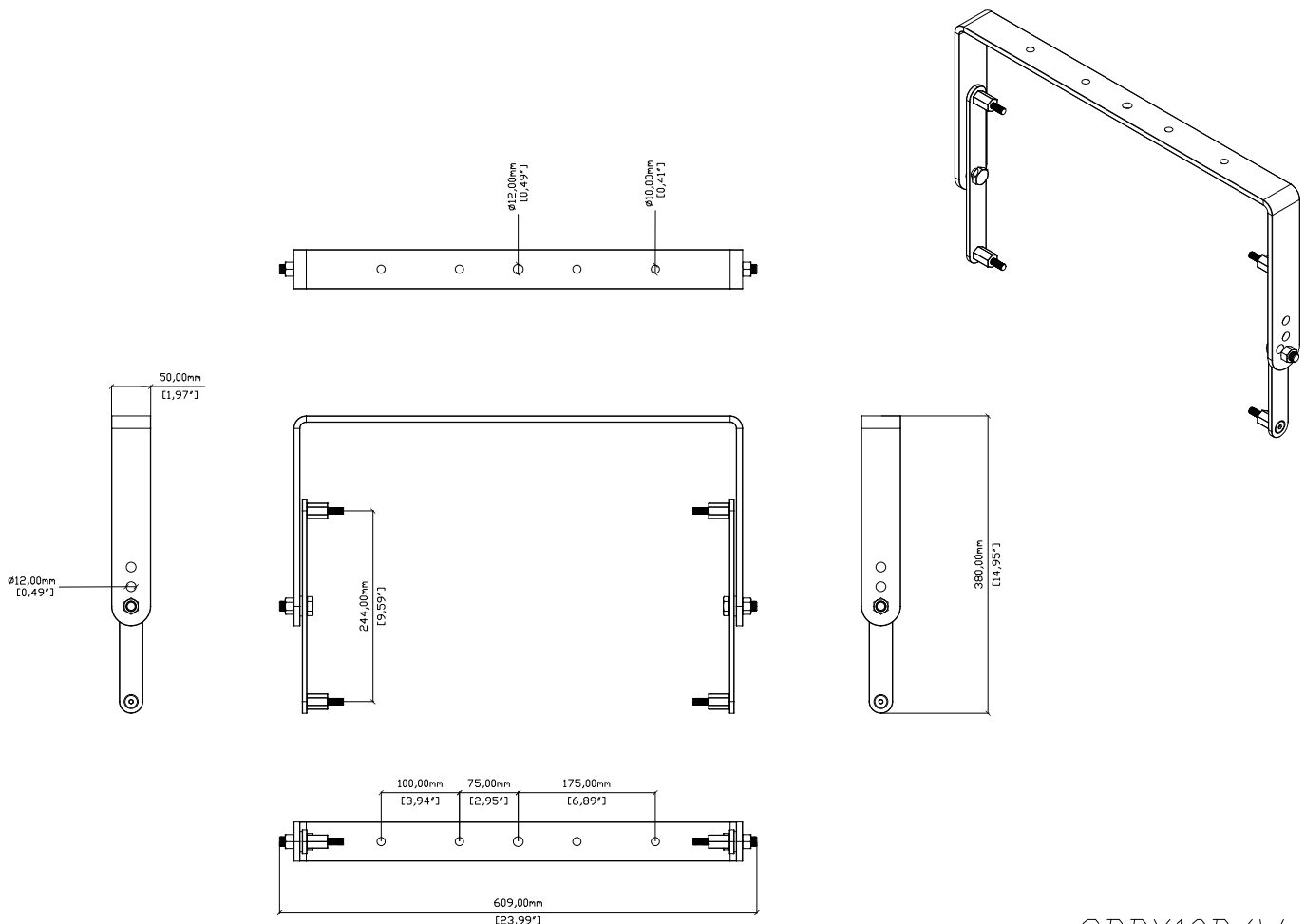
Ceiling bracket for CDD6 and CDD8

- Product code: **CDDCB6/8B** for black, **CDDCB6/8W** for white or **CDDCB6/8RAL** for RAL colour.
- Weatherised for outdoor use.
- Bracket allows adjustment to pan on installation and to [tilt](#) ([page 52](#)) once installed.
- Mount speaker in landscape or upside-down portrait.
- Optional attachment to third-party hardware for [truss and scaffold bar mounting](#) ([page 37](#)).
- Ceiling fixing: three 6.5 mm (0.26 in) holes and central 13 mm (0.51 in) hole.
- Weight: 1.5 kg (3.4 lb)
- To import the drawing below into CAD software, see [DWG files](#) ([page 17](#))



Landscape yoke for CDD10

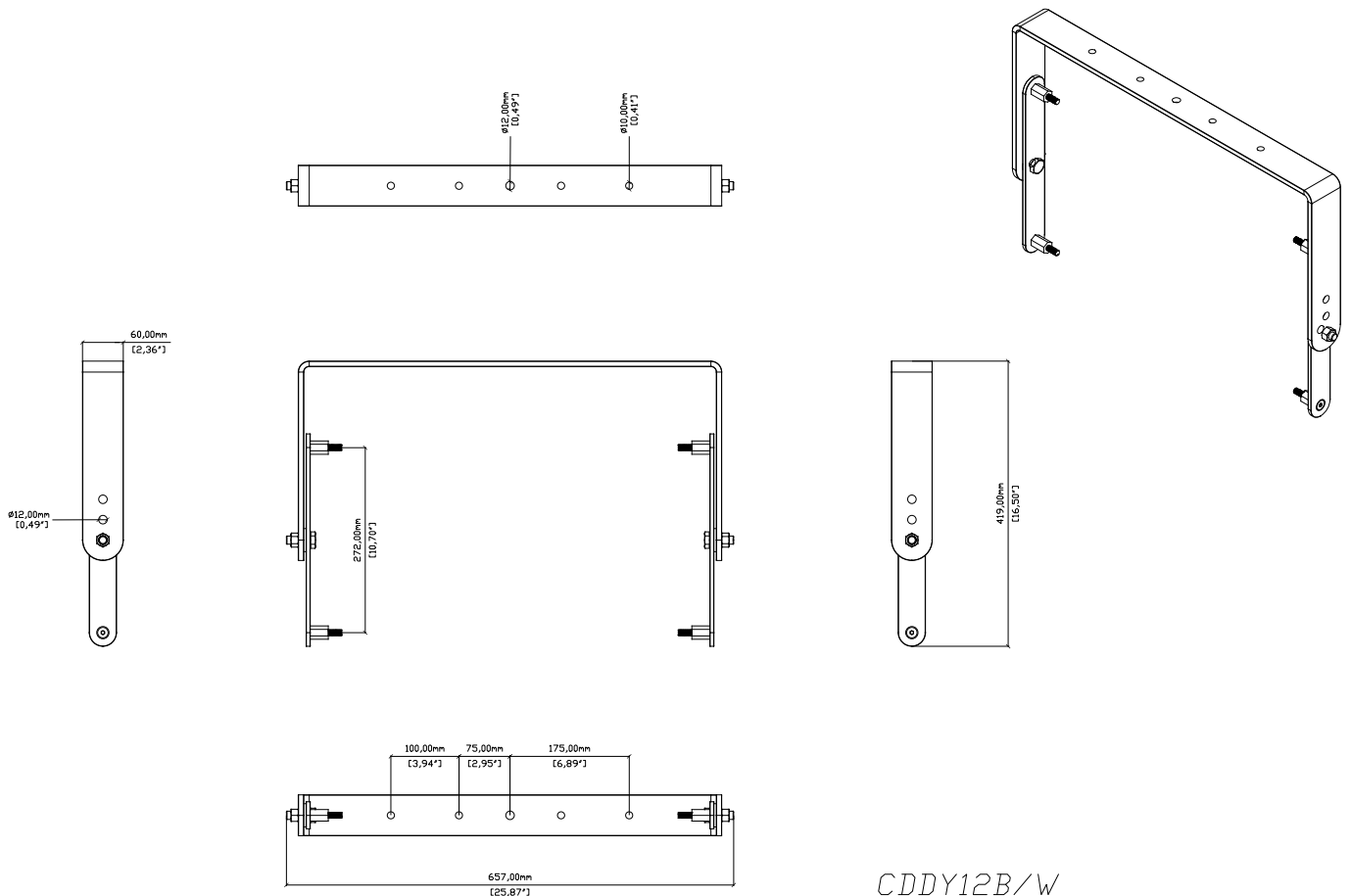
- Product code: **CDDY10B** for black or **CDDY10W** for white.
- Weatherised for outdoor use.
- Allows adjustment to pan on installation and [tilt \(page 52\)](#) once installed.
- Mount speaker in landscape only.
- Optional attachment to third-party hardware for [truss and scaffold bar mounting \(page 37\)](#).
- Ceiling fixing: four 10.5 mm (0.41 in) holes and a central 12.5 mm (0.49 in) hole.
- Weight: 4.1 kg (8.9 lb)
- To import the drawing below into CAD software, see [DWG files \(page 17\)](#)



CDDY10B/W

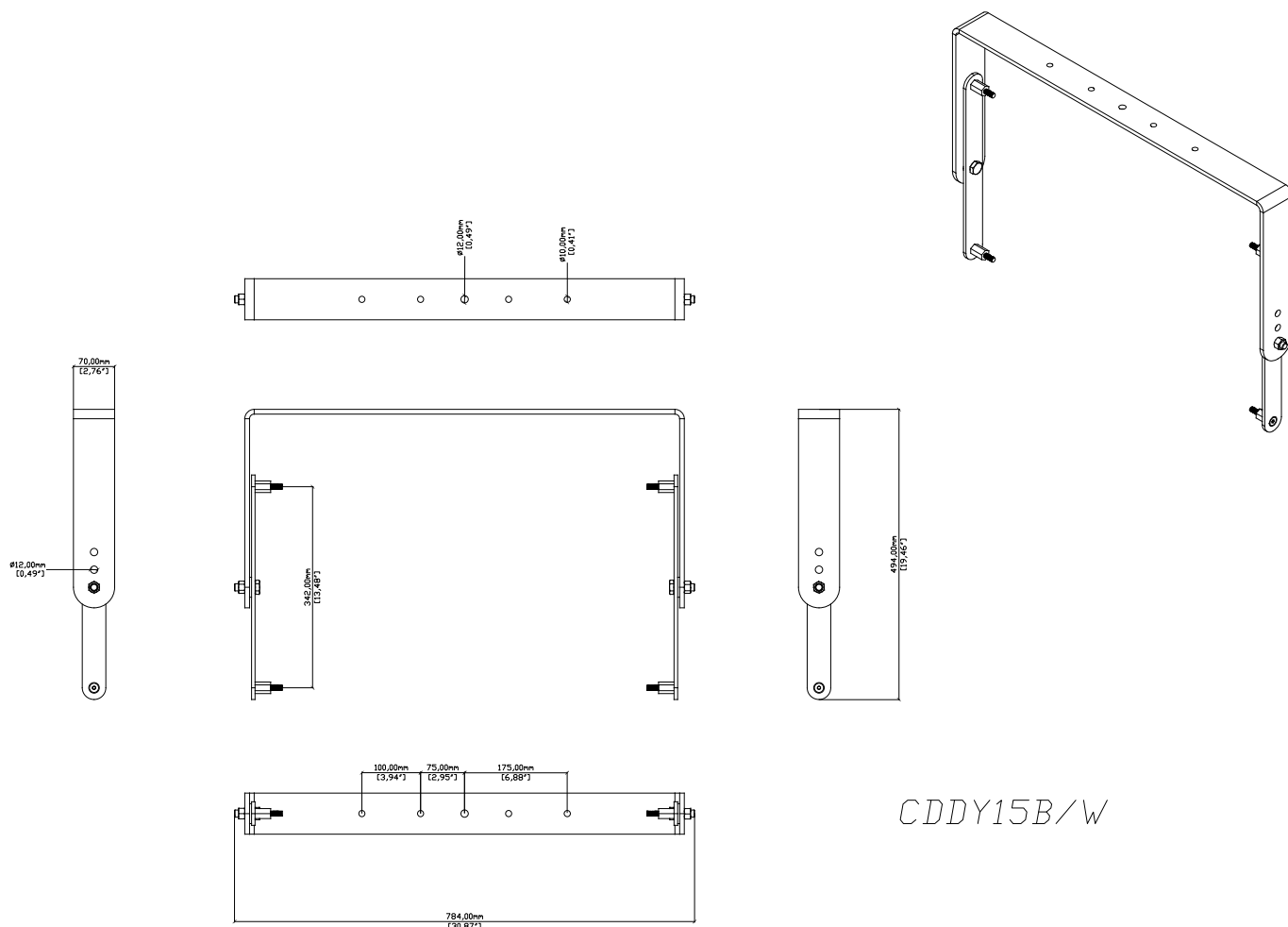
Landscape yoke for CDD12

- Product code: **CDDY12B** for black or **CDDY12W** for white.
- Weatherised for outdoor use.
- Allows adjustment to pan on installation and [tilt \(page 52\)](#) once installed.
- Mount speaker in landscape only.
- Optional attachment to third-party hardware for [truss and scaffold bar mounting \(page 37\)](#).
- Ceiling fixing: four 10.5 mm (0.41 in) holes and a central 12.5 mm (0.49 in) hole.
- Weight: 5.5 kg (12.0 lb)
- To import the drawing below into CAD software, see [DWG files \(page 17\)](#)



Landscape yoke for CDD15

- Product code: **CDDY15B** for black or **CDDDY15W** for white.
- Weatherised for outdoor use.
- Allows adjustment to pan on installation and [tilt \(page 52\)](#) once installed.
- Mount speaker in landscape only.
- Optional attachment to third-party hardware for [truss and scaffold bar mounting \(page 37\)](#).
- Ceiling fixing: four 10.5 mm (0.41 in) holes and a central 12.5 mm (0.49 in) hole.
- Weight: 7.5 kg (16.6 lb)
- To import the drawing below into CAD software, see [DWG files \(page 17\)](#)



CDD spare parts

The following lists shows the spare parts we aim to keep in stock. Other parts may be available on request.

CDD5 spare parts

Spare part	Part number
Driver (all models of CDD5)	DLS5003
Crossover (non-TX models of CDD5)	SCOS00155
Crossover (TX models of CDD5)	SCOS00163
Black grille assembly including badge (non-WR and non-MAR models of CDD5)	HAG01163
White grille assembly including badge (non-WR and non-MAR models of CDD5)	HAG01160
Weatherised, black grille assembly including badge (WR models of CDD5)	HAGS01031
Weatherised, white grille assembly including badge (WR models of CDD5)	HAGS01032
Marine, black grille assembly including badge (MAR models of CDD5)	ASF03019-B
Marine, white grille assembly including badge (MAR models of CDD5)	ASF03019
Black badge (all models of CDD5)	HML04009
White badge (all models of CDD5)	HML04011
Phoenix-style 12 A four-pole connector with screw terminals (all models of CDD5 and CDD6, non-TX and non-MAR models of CDD8). Accepts cables up to 2.5 mm ²	PCX00006
Weatherproof connector cover kit in black (WR and MAR models of CDD5). Kit includes cover, screws, gasket seal and cable gland	AIPKIT
Weatherproof connector cover kit in white (WR and MAR models of CDD5). Kit includes cover, screws, gasket seal and cable gland	AIPKIT-W
Weatherproof wall bracket in black (all models of CDD5)	ASM10002
Weatherproof wall bracket in white (all models of CDD5)	ASM10001

CDD6 spare parts

Spare part	Part number
Driver (all models of CDD6)	DLS7009
Crossover (non-TX models of CDD6)	SCOS00156
Crossover (TX models of CDD6)	SCOS00167
Black grille assembly including badge (non-WR and non-MAR models of CDD6)	HAG01164
White grille assembly including badge (non-WR and non-MAR models of CDD6)	HAG01161
Weatherised, black grille assembly including badge (WR models of CDD6)	HAGS01033
Weatherised, white grille assembly including badge (WR models of CDD6)	HAGS01034

Spare part	Part number
Marine, black grille assembly including badge (MAR models of CDD6)	HAGS01113-B
Marine, white grille assembly including badge (MAR models of CDD6)	HAGS01113
Black badge (all models of CDD6)	HML04008
White badge (all models of CDD6)	HML04012
Phoenix-style 12 A four-pole connector with screw terminals (all models of CDD5 and CDD6, non-TX and non-MAR models of CDD8). Accepts cables up to 2.5 mm ²	PCX00006
Weatherproof connector cover kit in black (WR and MAR models of CDD6). Kit includes cover, screws, gasket seal and cable gland	ASF09005
Weatherproof connector cover kit in white (WR and MAR models of CDD6). Kit includes cover, screws, gasket seal and cable gland	ASF09005-W

CDD8 spare parts

Spare part	Part number
Driver (all models of CDD8)	DLS8006
Recone kit (all models of CDD8)	DLT8006
HF diaphragm (all models of CDD8)	DLC8006
Crossover (all models of CDD8)	SCOS00157
Black grille assembly including badge (non-WR and non-MAR models of CDD8)	ASM50036
White grille assembly including badge (non-WR and non-MAR models of CDD8)	ASM50036-W
Weatherised, black grille assembly including badge (WR models of CDD8)	ASM50021
Weatherised, white grille assembly including badge (WR models of CDD8)	ASM50021-W
Marine, black grille assembly including badge (MAR models of CDD8)	ASM50053
Marine, white grille assembly including badge (MAR models of CDD8)	ASM50053-W
Black badge (all models of CDD8)	HML04016
White badge (all models of CDD8)	HML04017
Phoenix-style 12 A four-pole connector with screw terminals (all models of CDD5 and CDD6, non-TX and non-MAR models of CDD8). Accepts cables up to 2.5 mm ²	PCX00006
Weatherproof connector cover kit in black only (WR models of CDD8). Kit includes cover, screws, gasket seal and cable gland	ASF09006

CDD10 spare parts

Spare part	Part number
Driver (all models of CDD10)	DLS10008
Recone kit (all models of CDD10)	DLT10008
HF diaphragm (all models of CDD10)	DLC10008
Crossover (all models of CDD10)	SCOS00154
Black grille assembly including badge (non-WR and non-MAR models of CDD10)	ASM50037
White grille assembly including badge (non-WR and non-MAR models of CDD10)	ASM50037-W
Weatherised, black grille assembly including badge (WR models of CDD10)	ASM50024
Weatherised, white grille assembly including badge (WR models of CDD10)	ASM50024-W
Marine, black grille assembly including badge (MAR models of CDD10)	ASM50059
Marine, white grille assembly including badge (MAR models of CDD10)	ASM50059-W
Black badge (all models of CDD10, CDD12 and CDD15)	HML04018
White badge (all models of CDD10, CDD12 and CDD15)	HML04019
Phoenix-style 20 A four-pole connector with screw terminals (non-TX and non-MAR models of CDD10, CDD12 and CDD15). Accepts cables up to 4.0 mm ²	PCX00008
Weatherproof connector cover kit in black only (WR models of CDD10, CDD12 and CDD15). Kit includes cover, screws, gasket seal and cable gland	ASF09007

CDD12 spare parts

Spare part	Part number
Driver (all models of CDD12)	DLS12013
Recone kit (all models of CDD12)	DLT12013
HF diaphragm (all models of CDD12)	DLC12013
Crossover (all models of CDD12)	SCOS00159
Black grille assembly including badge (from 2021) (non-WR and non-MAR models of CDD12)	ASM50074
White grille assembly including badge (from 2021) (non-WR and non-MAR models of CDD12)	ASM50076
Black grille assembly including badge (before 2021) (non-WR and non-MAR models of CDD12)	ASM50038
White grille assembly including badge (before 2021) (non-WR and non-MAR models of CDD12)	ASM50038-W
Weatherised, black grille assembly including badge (WR models of CDD12)	ASM50022
Weatherised, white grille assembly including badge (WR models of CDD12)	ASM50022-W
Marine, black grille assembly including badge (MAR models of CDD12)	ASM50054
Marine, white grille assembly including badge (MAR models of CDD12)	ASM50054-W
Black badge (all models of CDD10, CDD12 and CDD15)	HML04018

Spare part	Part number
White badge (all models of CDD10, CDD12 and CDD15)	HML04019
Phoenix-style 20 A four-pole connector with screw terminals (non-TX and non-MAR models of CDD10, CDD12 and CDD15). Accepts cables up to 4.0 mm ²	PCX00008
Weatherproof connector cover kit in black only (WR models of CDD10, CDD12 and CDD15). Kit includes cover, screws, gasket seal and cable gland	ASF09007

CDD15 spare parts

Spare part	Part number
Driver (all models of CDD15)	DLS15018
Recone kit (all models of CDD15)	DLT15018
HF diaphragm (all models of CDD15)	DLC15018
Crossover (all models of CDD15)	SCOS00160
Black grille assembly including badge (from 2021) (non-WR and non-MAR models of CDD15)	ASM50075
White grille assembly including badge (from 2021) (non-WR and non-MAR models of CDD15)	ASM50077
Black grille assembly including badge (before 2021) (non-WR and non-MAR models of CDD15)	ASM50039
White grille assembly including badge (before 2021) (non-WR and non-MAR models of CDD15)	ASM50039-W
Weatherised, black grille assembly including badge (WR models of CDD15)	ASM50023
Weatherised, white grille assembly including badge (WR models of CDD15)	ASM50023-W
Marine, black grille assembly including badge (MAR models of CDD15)	ASM50060
Marine, white grille assembly including badge (MAR models of CDD15)	ASM50060-W
Black badge (all models of CDD10, CDD12 and CDD15)	HML04018
White badge (all models of CDD10, CDD12 and CDD15)	HML04019
Phoenix-style 20 A four-pole connector with screw terminals (non-TX and non-MAR models of CDD10, CDD12 and CDD15). Accepts cables up to 4.0 mm ²	PCX00008
Weatherproof connector cover kit in black only (WR models of CDD10, CDD12 and CDD15). Kit includes cover, screws, gasket seal and cable gland	ASF09007

Troubleshooting

- Sound coverage not as expected. Check the [orientation of the driver \(page 10\)](#).
- Sound not right. Make sure the input and output connectors are fully plugged into the sockets. Check the sound quality with headphones at the amplifier or preamp.

Technical support

- For technical support, contact your supplier or Martin Audio technical support.
- For Martin Audio technical support, go to our website martin-audio.com and select **Support > Support Contacts**.

Service

- For service information, go to our website martin-audio.com and select **Support > Service & Returns**.

Warranty

- For warranty information, go to our website martin-audio.com and select **Support > Service & Returns**.

Martin Audio Limited

Century Point

Halifax Road

Cressex Business Park

High Wycombe

Buckinghamshire

HP12 3SL

England

FOR SALES ENQUIRIES

UK

+44 1494 535 312

info@martin-audio.com

NORTH AMERICA

+1 323 381 5310

www.martin-audio.com

Martin Audio, the Martin Audio logo and Hybrid are registered trademarks of Martin Audio Ltd. in the United Kingdom, United States and other countries; all other Martin Audio trademarks are the property of Martin Audio Ltd.

