

SX115

15" compact, direct radiating subwoofer

Features

- Compact, direct radiating subwoofer
- Long excursion 15" (380mm)/4" (100mm) voice coil driver with water-resistant cone
- High output capability
- Plywood enclosure with flying inserts
- Large ports for reduced air noise

Applications

- Live sound reinforcement for small and medium-size venues
- Fixed installations in concert halls, theatres and ballrooms
- Houses of Worship
- Conference halls and corporate AV events
- Nightclubs, bars and hotels
- Retail outlets and leisure centres



The SX115 is a versatile, passive subwoofer with an operating range of 45-100Hz + 3dB. Featuring a powerful, long excursion 15" (380mm)/4" (100mm) voice coil driver with a water-resistant cone and triple roll surround, it delivers dynamic low frequency performance from a very compact enclosure. Four reflex ports increase LF output efficiency and have a large frontal area to reduce turbulent air noise at high levels.

The durable plywood enclosure is finished in hardwearing textured paint and incorporates threaded inserts for eyebolt suspension of a single enclosure, as well as safety points. Inserts are also provided for the attachment of side rigging strips to assemble a flown installed array of up to four enclosures.

Ergonomic pocket handles assist handling and installation, and the driver is protected by a coated steel grille with an

acoustically transparent fabric backing. An M20 threaded plate on the top surface facilitates pole-mounting of Martin Audio full-range enclosures.

The SX115 can be used as a stand-alone subwoofer or stacked using locating skids and mating channels at the base and top of each enclosure. Cardioid operation can be achieved by arranging the SX115 in forward and rear-facing pairs, with each enclosure powered individually in conjunction with dedicated DSP presets.

The SX115 is available in black and as standard is supplied without castors which are available as an accessory pack.

SX115

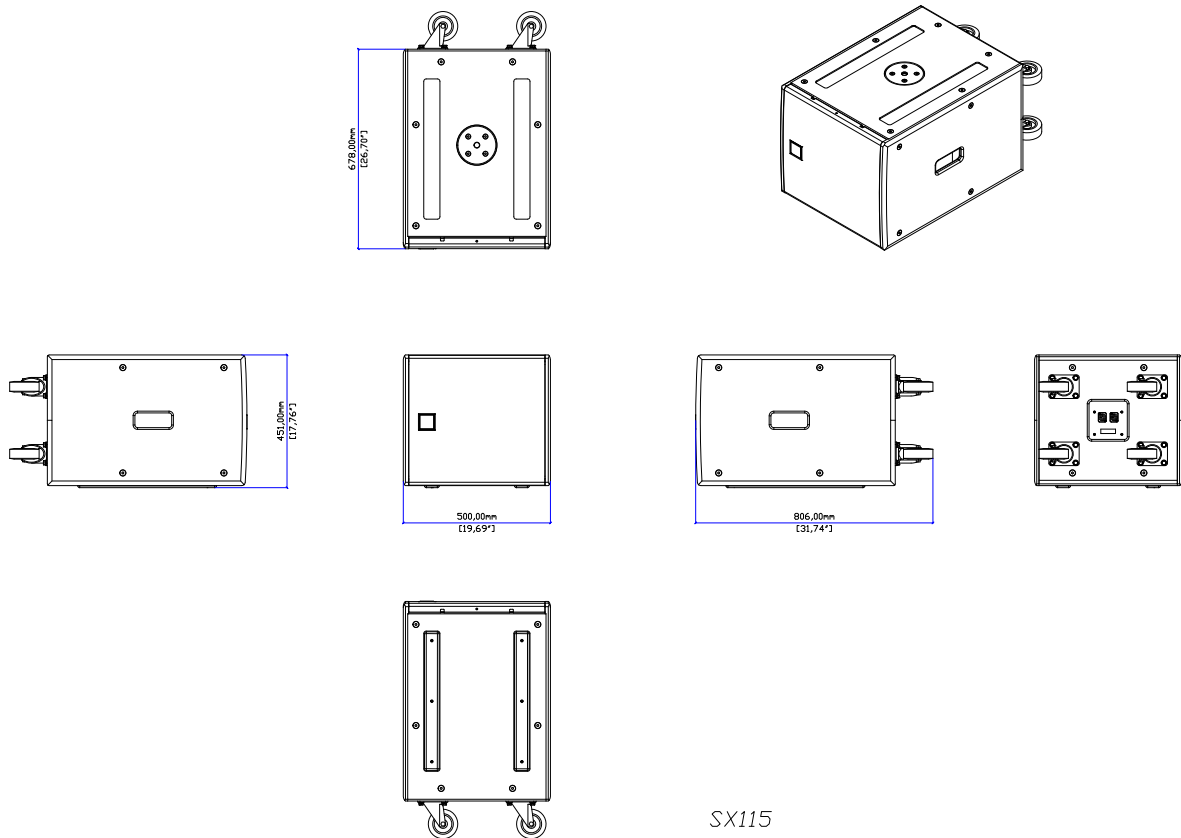
15" compact, direct radiating subwoofer

Technical Specifications

TYPE	Direct radiating subwoofer
CROSSOVER FREQUENCY	100Hz
FREQUENCY RESPONSE 4π (5)	45Hz - 100Hz ± 3dB, -10dB @ 36Hz
DRIVERS	LF: 15" with 4" Voice coil, Ferrite Motor
SENSITIVITY	(2.83V 1m half space) 100dB
NOMINAL IMPEDANCE	8 Ohms
RATED POWER	AES 800W, PEAK 3200W
MAXIMUM SPL (SYSTEM)	130dB continuous, 136dB peak, 142dB peak (12dB)
DISPERSION	Omni-Directional/ or Cardioid (paired)
CONNECTORS	2 x NL4
PIN CONNECTIONS (INPUT)	1+/- or 2+/-
PIN CONNECTIONS (LINK)	1+/- and 2+/-
DIMENSIONS	(W) 500mm, (H) 451mm, (D) 678mm (806mm with Casters) (W) 19.69ins, (H) 17.76ins, (D) 26.69ins (31.73ins with Casters)
WEIGHT	36.5kg (80.5lbs)

Notes

- (1) Measured on-axis in half (2pi) space at 2 metres, then referred to 1 metre.
- (2) AES Standard ANSI S4.26-1984.
- (3) Measured in half (2pi) space at 2 metres with 1 watt input, using band limited pink noise, then referred to 1 metre.
- (4) Measured in half (2pi) space at 2 metres using band limited pink noise, then referred to 1 metre.
- (5) Measured on-axis in open (4pi) space at 2 metres, then referred to 1 metre.
- (6) Measured in open (4pi) space at 2 metres with 1 watt input, using band limited pink noise, then referred to 1 metre.
- (7) Measured in open (4pi) space at 2 metres using band limited pink noise, then referred to 1 metre.
- (8) Measured in open (4pi) space at 2 metres with 2.83V input, using band limited pink noise, then referred to 1 metre.
- (9) Calculated at 1 metre.
- (10) Measured in half (2pi) space at 2 metres with 2.83V input, using band limited pink noise, then referred to 1 metre.



SX115