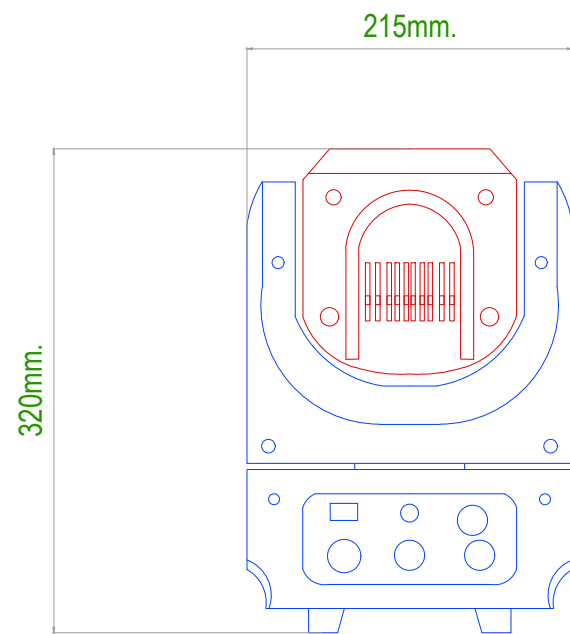
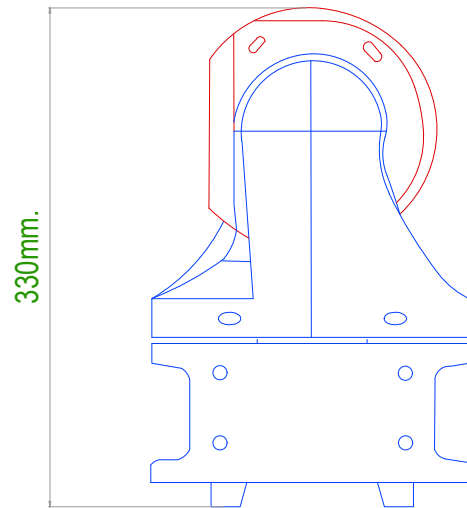


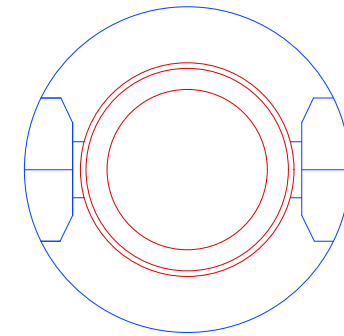
VISION - VDOT-RB (5.2kg.)



FRONT VIEW



SIDE VIEW



TOP VIEW

UNITS: millimeters