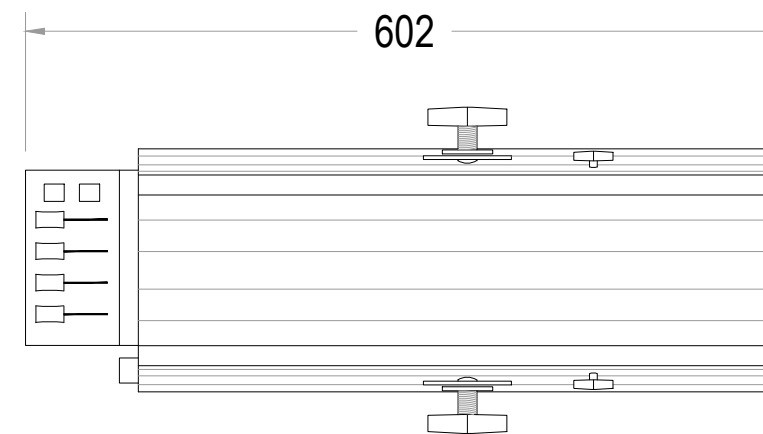
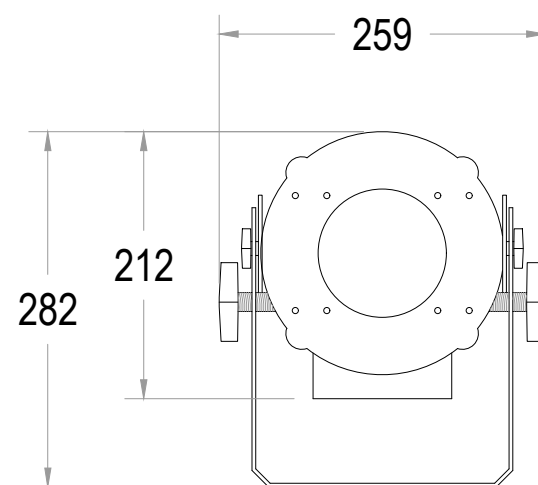


VISION - VFL-350

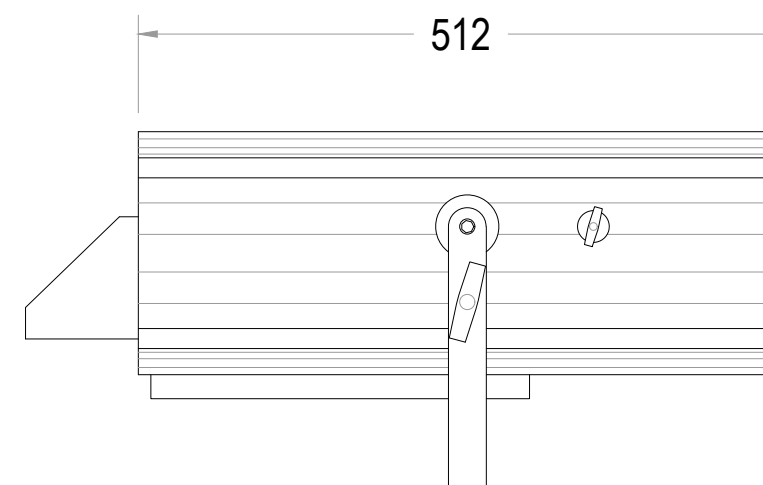
(9.9kg.)



TOP VIEW



FRONT VIEW



SIDE VIEW

UNITS: millimeters