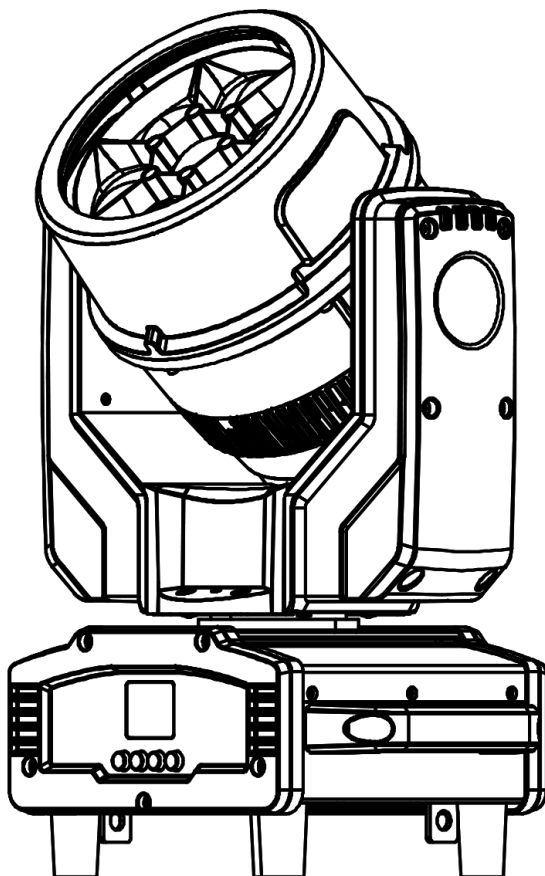




BEYE-740-IP-7x40w Mini Bee Eye Moving Head



User Manual

Please read manual carefully before use

CONTENTS

1. Safety Instructions	3
2. Technical Specification	5
3. DMX Set Up	6
4. Display	7
5. Menu	8
6. LUX Data	10
7. DMX Channel List	11
8. Mounting	19
9. Product Size	20
10. Attention	20
11. Trouble Shooting	21
A. The unit does not work, no light and the fan does not work	21
B. Not responding to DMX controller	21
C. One of the channels is not working well	21
12. Fixture Cleaning	22

Thank you for choosing our LED lights. Each facility has been rigorously tested. Please check whether the facility has been damaged during transportation. If you find any parts are missing or broken, please contact the manufacturer immediately. Please do not return the product without any notice!

1.Safety Instructions



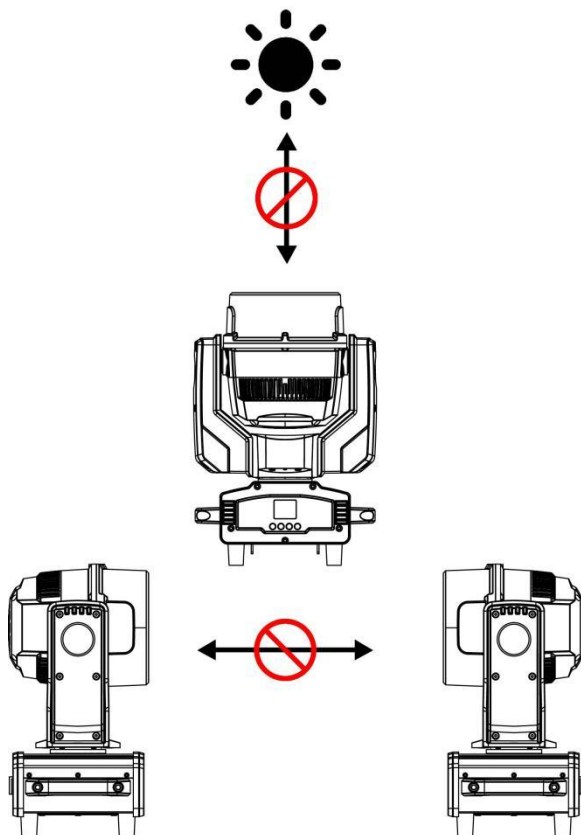
Please read this manual carefully, which includes important information on installation, use and maintenance.

Attention

- Please keep this USER MANUAL for future consultation. If you sell the facility to another user, be sure that they also receive this USER MANUAL.
- Please open and check in details and make sure there is no transportation damage.
- Before operating, ensure that the voltage and frequency of power supply match the power requirements of the facility.
- It's important to ground the yellow/green conductor to earth in order to avoid electric shock.
- The facility must be installed in a location with adequate ventilation, at least 50 cm from adjacent surfaces. Be sure that no ventilation slots are blocked.
- Make sure the power is disconnected before removing the facility.
- Make sure there are no flammable materials close to the unit while operating as it is fire hazard.
- Use safety cable when fixes this facility. Do not handle the facility by taking its head only, but always by taking its base.
- Maximum ambient temperature is 40 °C . Do not operate it where the temperature is higher than this.
- Please stop using the facility for serious operating problems. Stop using the facility immediately. Never try to repair the facility by yourself, but be a professional technician. Please contact the supplier's service department

for technical support.

- Do not touch any wire during operation as high voltage might be causing electric shock.
- When the housing or lens is damaged, it must be replaced.
- Direct sunlight or any other strong light source penetrating the lens of the light will cause serious internal damage to the facility. During unpacking, installation, use and long-term outdoor idleness, it is forbidden to expose the lens of the facility to direct sunlight or any other strong light source at any angle. It is forbidden to aim the beam of one light directly at another light.



Caution

There are no accessories available, do not open the housing and try to repair the facilities yourself. Please contact our company for after service.

Installation

The unit should be mounted via its screw holes on the bracket. Always ensure that the unit is firmly fixed to avoid vibration and slipping while operating. And make sure that the structure to which you are attaching the unit is secure and is able to support a weight of 10 times of the unit's weight. Also always use a safety cable that can hold 12 times of the weight of the unit when installing the fixture.

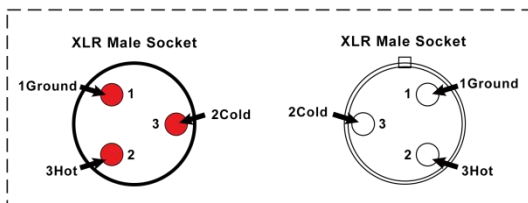
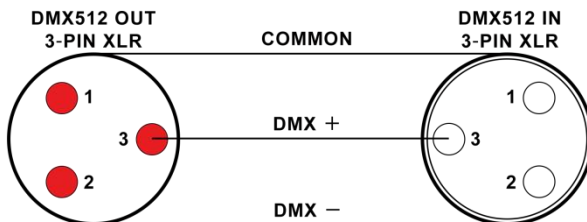
The facility must be installed by professionals, and keep it far away from fire, walking road, and easy touched place.

2. Technical Specification

Light Source	7*40W 4 in 1 RGBW LED
LED Lifetime	≥ 50000H
Power Voltage	AC100-240V , 50-60Hz
Power Consumption	240W
Beam Angle	6°-45°
Control Modes	DMX512/ Auto/ Sound/ Master-Slave/ Manual/ RDM
DMX Channel	21/ 24/ 32/ 60 Channel
Protection Rating	IP65
Display	TFT Display
Data In/Out Socket	3-pin XLR sockets
Power Socket	Power-Con in/ out

Housing Material	ABS High temperature resistant plastics		
Pan	540° accuracy 2.11°/step, fine-tuning accuracy: 0.008°		
Tilt	270° accuracy 0.86°/step, fine-tuning accuracy: 0.0034°		
Pan/Tilt Resolution	Automatically correct pan/tilt position		
MAX. Connection	8 units (240V, 50Hz) 1.5mm ² power cable		
	4 units (100V, 60Hz) 1.5mm ² power cable		
Dimension	310mm×220mm×462mm		
Net Weight	10.9kg		
Carton Package	310*230*420mm	1in1	G.W.: 13.6kg
	625*400*590mm	2in1	G.W.: 29.5kg
Flight Case	720*700*648mm	4in1	G.W.: 84.4kg
Features	Full light range dimming, 65536-level dimming accuracy. fast strobe 1-25Hz. Single control of LED. Triple effects of WASH, beam, and bee eye. Preset multiple macro-color and macro-effect functions		
Configuration	Signal cable	1pc	
	Power cable	1pc	
	Manual	1pc	

3. DMX Set Up



XLR Pin Configuration
pin 1=Ground
pin 2=Data Compliment (negative)
pin 3=Data true (positive)

Pin1: Ground

pin2: Negative

pin3: Positive

DMX Connection

To ensure optimal transmission of DMX data, please connect facilities in the shortest way. The connection order won't affect the DMX address code. For example, if the address code is set to 1, no matter where the facility is connected, its address code will not change. This is determined by the principle of the DMX controller.

Operation method

You can operate in the following three modes:

- Auto mode - the light can automatically complete all color changes
- DMX control mode - each light can be individually controlled by a standard DMX512 console
- Master mode - any light can work as a host in any of the above modes, and the other lights will work synchronously as slaves

4. Display

There are four buttons on the LED panel: MENU, UP, DOWN, and ENTER.



MENU



UP



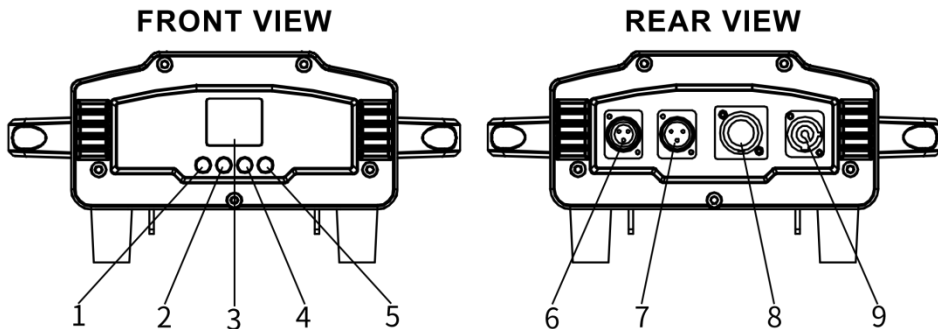
DOWN



ENTER

"MENU" to exit or return to the previous menu, "UP" or "DOWN" to select the

upper and lower menus or adjust the values, and "ENTER" to confirm.



After powering on, the facility will automatically return to the last operation when it was powered off, then get into standby status. For more details, please refer to the information below↓

5. Menu

1-MENU 2-UP 3-DOWN 4-ENTER				
Menu	1.Address Set	001-512	Address code from 001-512	
	2. Mode	1. DMX 512	Select mode	
		2. Auto		
		3. Sound		
		4. Manual		1. Pan: 0-255
				2. Tilt: 0-255
3. Focus: 0-255				
	4. Rota: 0-255			
	5. Red: 0-255			

			6. Green: 0-255	
			7. Blue: 0-255	
			8. White: 0-255	
			9. Strobe: 0-255	
3. Channel	21 CH	21 channel	Select channel mode	
	24 CH	24 channel		
	32 CH	32 channel		
	60 CH	60 channel		
4. Invert	1. Pan Invert 1. NO 2. YES	Pan invert set		
	2. Tilt Invert 1. NO 2. YES	Tilt invert set		
5. Sound Set	0-100	Sound sensitivity set		
6. Degree	1. 540 2. 360	Horizontal running angle selection		
7. No Signal	1. BlackOut 2. Hold			
8. Fan Set	1. Auto 2. High 3. Low			
9. Reset	1. No 2. Yes			
10. Default	1. Yes	Factory default		
	2. No			
11. Information	1. Soft V1.0	Software Version		
	2. Tem**°C	Show LED board temperature		
12. Adjust	Pass Word:****	Change Pan/ Tilt/ Focus/ Rota value to correct the angle.		
	1. Pan: 0-255			
	2. Tilt: 0-255	Change the R/ G/ B/ W		

		3. Focus: 0-255	value to adjust the white balance
		4. Rotate: 0-255	
		5. Red: 0-255	
		6. Green: 0-255	
		7. Blue: 0-255	
		8. White: 0-255	

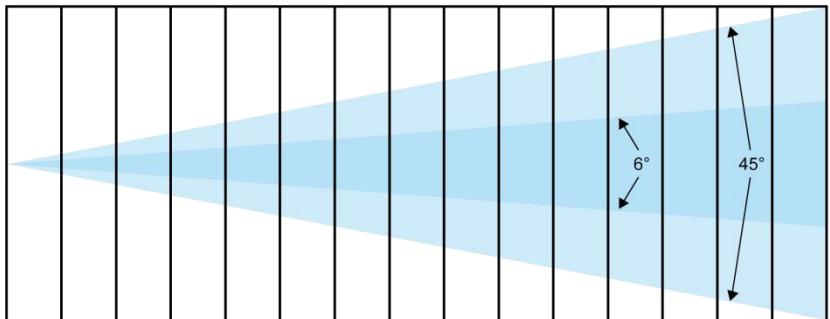
6. LUX Data

Beam Angle = 6°

R lux	15400	5570	2200	845
G lux	35000	13900	5220	1970
B lux	6350	2550	931	351
W lux	47800	18300	6970	2660
4in1 lux	96400	36500	13800	5340

Beam Angle = 45°

R lux	1900	256	93.8	38.1
G lux	4760	620	231	86.1
B lux	896	112	42.5	16.5
W lux	6390	831	312	120
4in1 lux	13000	1660	628	240



Distance(m)	1	3	5	8
Spot diameter (m) 6°	0.275	0.54	0.83	1.23
Spot diameter (m) 45°	0.9	2.56	3.88	None

7. DMX Channel List

► 21CH Mode

CH	Function	DMX Value	Description
1	Red	0-255	Red dimming
2	Red adjustment	0-255	Red adjustment
3	Green	0-255	Green dimming
4	Green adjustment	0-255	Green adjustment
5	Blue	0-255	Blue dimming
6	Blue adjustment	0-255	Blue adjustment
7	White	0-255	White dimming
8	White adjustment	0-255	White adjustment
9	Linear Color Temperature	0-4	No function
		5-255	Color temperature from warm to cold
10	Macro color	0-9	No function
		10-19	Macro color 1
		20-29	Macro color 2
	(10 numbers 1 macro color)
		190-199	Macro color 19
		200-255	Macro color 20
11	Dimmer	0-255	Linear dimming From dark to bright
12	Dimmer adjust	0-255	Dimmer adjustment
13	Strobe	0-3	Strobe dimming
		4-203	Synro strobe speed slow to fast (1Hz-25Hz)
		204-255	Random strobe
14	Pan	0-255	Pan control
15	Pan adjustment	0-255	Pan adjustment control

CH	Function	DMX Value	Description
16	Tilt	0-255	Tilt control
17	Tilt adjustment	0-255	Tilt adjustment control
18	Zoom	0-255	From narrow to wide
19	Lens rotation	0-155	0~60°
		156-205	Clockwise infinite rotation
		206-255	Counterclockwise rotation
20	Dimming Mode	0 - 49	Mode -1
		50 - 99	Mode -2
		100-149	Mode -3
		150-255	Mode -4
21	Reset	0-250	NO
		251-255	Reset within 5s

► 24CH Mode

CH	Function	DMX Value	Description
1	Pan adjustment	0-255	Pan control
2	Pan fine adjustment	0-255	Pan adjustment
3	Tilt adjustment	0-255	Tilt control
4	Tilt fine adjustment	0-255	Pan adjustment
5	Pan/ Tilt Speed	0-255	From fast to slow
6	Zoom	0-255	From narrow to wide
7	Lens rotation	0-155	0-60°
		156-205	Clockwise infinite rotation
		206-255	Counterclockwise rotation
8	Dimmer	0-255	From dark to bright
9	Strobe	0-3	Strobe dimming
		4-203	Synchro strobe speed From slow to fast (1Hz-25Hz)
		204-255	Random strobe
10	R	0-255	From dark to bright

CH	Function	DMX Value	Description
11	G	0-255	From dark to bright
12	B	0-255	From dark to bright
13	W	0-255	From dark to bright
14	Linear Color Temperature	0-4	No function
		5-255	Color temperature from warm to cold
15	Macro color	0-9	No function
		10-19	Macro color 1
		20-29	Macro color 2
	(10 numbers 1 macro color)
		190-199	Macro color 19
		200-255	Macro color 20
16	Dynamic Pattern	0-9	No function
		10-14	Monochrome dynamic pattern 1
		15-19	Monochrome dynamic pattern 2
	(5numbers 1 pattern)
		105-109	Monochrome dynamic pattern 20
		110-114	Mixed color dynamic pattern 1
		115-119	Mixed color dynamic pattern 2
	(5 numbers 1 pattern)
		165-169	Mixed color dynamic pattern 12
		170-255	Mixed color dynamic pattern 13
17	Pattern movement	0-255	Pattern movement(with 16CH)
18	Pattern effect speed	0-9	No function
		10-132	Clockwise, from fast to slow
		133-255	Counterclockwise, from slow to fast
19	Background R	0-255	From dark to bright

CH	Function	DMX Value	Description
20	Background G	0-255	From dark to bright
21	Background B	0-255	From dark to bright
22	Background W	0-255	From dark to bright
23 23	Dimming Mode Dimming Mode	0-49	Mode -1
		50-99	Mode -2
		100-149	Mode -3
		150-255	Mode -4
24	Reset	0-250	No function
		251-255	Reset within 5s

► 32CH Mode

CH	Function	DMX Value	Description
1	Pan	0-255	Pan
2	Pan adjustment	0-255	Pan adjustment
3	Tilt	0-255	Tilt
4	Tilt adjustment	0-255	Pan adjustment
5	Pan/ Tilt Speed	0-255	From fast to slow
6	zoom	0-255	From narrow to wide
7	Lens rotation	0-155	0-60°
		156-205	Clockwise infinite rotation from fast to slow
		206-255	Counterclockwise rotation from slow to fast
8	Dimmer	0-255	From dark to bright
9	Dimmer adjust	0-255	Dimmer adjustment control
10	Strobe	0-3	Strobe dimming
		4-203	Synchro strobe speed From slow to fast (1Hz-25Hz)
		204-255	Random strobe
11	R	0-255	Red dimming
12	Red adjust	0-255	Red adjust

CH	Function	DMX Value	Description
13	G	0-255	Green dimming
14	Green adjust	0-255	Green adjust
15	B	0-255	Blue dimming
16	Blue adjust	0-255	Blue adjust
17	W	0-255	White dimming
18	White adjust	0-255	White adjust
19	Dimming Mode	0 - 49	Mode -1
		50 - 99	Mode -2
		100-149	Mode -3
		150-255	Mode -4
20	Linear Color Temperature	0-4	No function
		5-255	Color temperature from warm to cold
21	Macro color	0-9	No function
		10-19	Macro color 1
		20-29	Macro color 2
	(10 numbers 1 macro color)
		190-199	Macro color 19
		200-255	Macro color 20
22	Dynamic Pattern	0-9	No function
		10-14	Monochrome dynamic pattern 1
		15-19	Monochrome dynamic pattern 2
	(5 numbers 1 pattern)
		105-109	Monochrome dynamic pattern 20
		110-114	Mixed color dynamic pattern 1
		115-119	Mixed color dynamic pattern 2
	(5 numbers 1 pattern)
		165-169	Mixed color dynamic pattern 12

CH	Function	DMX Value	Description
		170-255	Mixed color dynamic pattern 13
23	Pattern movement	0-255	Pattern movement(with 22CH)
24	Pattern speed (with 22CH)	0-9	No function
		10-132	Clockwise, from fast to slow
24	Pattern speed	133-255	Counterclockwise, from slow to fast
25	Pattern fade	0-255	Pattern effect fade
26	Background dimming	0-255	Background 0-100% dimming
27	Background strobe	0-255	Background strobe
28	Background R	0-255	From dark to bright
29	Background G	0-255	From dark to bright
30	Background B	0-255	From dark to bright
31	Background W	0-255	From dark to bright
32	Reset	0-250	No function
		251-255	Reset within 5s

► 60CH Mode

CH	Function	DMX Value	Description
1	Pan	0-255	Pan control
2	Pan adjustment	0-255	Pan adjustment
3	Tilt	0-255	Tilt control
4	Tilt adjustment	0-255	Pan adjustment
5	Pan/ Tilt Speed	0-255	From fast to slow
6	Zoom	0-255	From narrow to wide
7	Lens rotation	0-155	0-60°
		156-205	Clockwise infinite rotation from fast to slow
		206-255	Counterclockwise rotation from slow to fast
8	Dimmer	0-255	From dark to bright

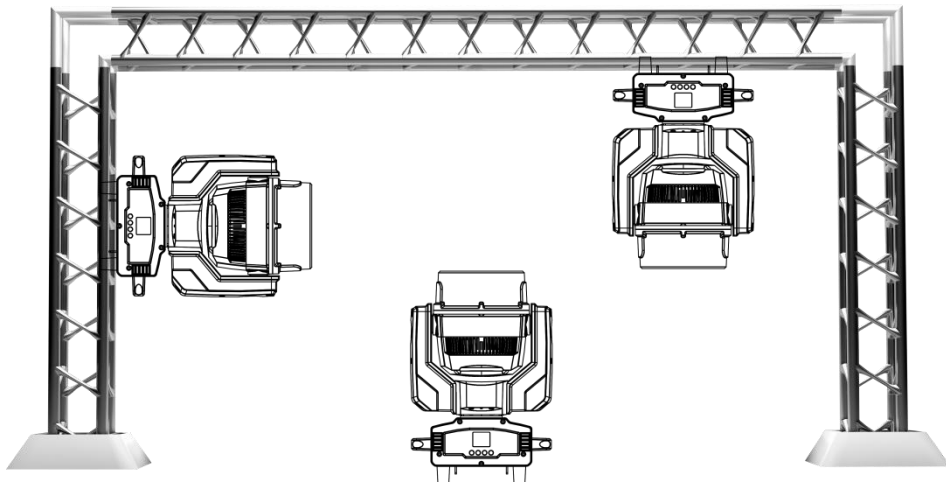
CH	Function	DMX Value	Description
9	Dimmer adjust	0-255	Dimmer adjustment control
10	Strobe	0-3	Strobe dimming
		4-203	Synchro strobe speed slow to fast (1HZ-25HZ)
		204-255	Random strobe
11	R	0-255	Red dimming
12	Red adjust	0-255	Red adjust
13	G	0-255	Green dimming
14	Green adjust	0-255	Green adjust
15	B	0-255	Blue dimming
16	Blue adjust	0-255	Blue adjust
17	W	0-255	White dimming
18	White adjust	0-255	White adjust
19	Dimming Mode	0 - 49	Mode -1
		50 - 99	Mode -2
		100-149	Mode -3
		150-255	Mode -4
20	Linear color temperature	0-4	No function
		5-255	Color temperature from warm to cold
21	Macro color	0-9	No function
		10-19	Macro color 1
		20-29	Macro color 2
	(10 numbers 1 macro color)
		190-199	Macro color 19
		200-255	Macro color 20
22	Dynamic Pattern	0-9	No function
		10-14	Monochrome dynamic pattern 1
		15-19	Monochrome dynamic pattern 2
	(5 numbers 1 pattern)

CH	Function	DMX Value	Description
		105-109	Monochrome dynamic pattern 20
		110-119	Mixed color dynamic pattern 1
		150-159	Mixed color dynamic pattern 2
	(5 numbers 1 pattern)
		165-169	Mixed color dynamic pattern 12
		170-255	Mixed color dynamic pattern 13
23	Pattern movement	0-255	Pattern movement (with 22CH)
24	Pattern effect speed(with 22CH)	0-9	No function
		10-132	Clockwise, from fast to slow
		133-255	Counterclockwise, from slow to fast
25	Pattern fade	0-255	Pattern fade
26	Background dimming	0-255	Background 0-100% dimming
27	Background strobe	0-255	Background strobe
28	Background R	0-255	From dark to bright
29	Background G	0-255	From dark to bright
30	Background B	0-255	From dark to bright
31	Background W	0-255	From dark to bright
32	Reset	0-250	No function
		251-255	Reset within 5s
33	LED1 R	0-255	LED1 R dimming
34	LED1 G	0-255	LED1 G dimming
35	LED1 B	0-255	LED1 B dimming
36	LED1 W	0-255	LED1 W dimming
.....
57	LED7 R	0-255	LED7 R dimming
58	LED7 G	0-255	LED7 G dimming
59	LED7 B	0-255	LED7 B dimming
60	LED7 W	0-255	LED7 W dimming

8. Mounting

When installing the unit, the trussing or area of installation must be able to hold 10 times the weight without any deformation. When installing the unit must be secured with a secondary safety attachment, e.g. an appropriate safety cable. Never stand directly under the facility while mounting, uninstalling or repairing facilities.

High-altitude mounting requires for extensive experience, including working load limits calculating , installation material, and periodic safety check of installation materials and facilities. If you're lack of mentioned qualifications, do not attempt the installation yourself. These installation should be checked by a skilled person annually.

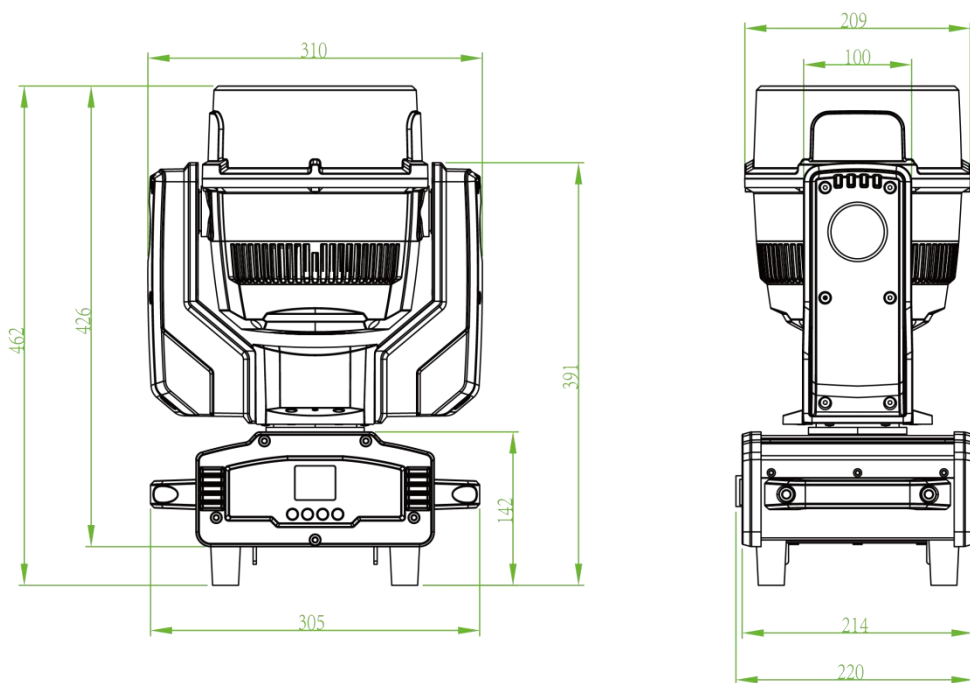


BEYE-740-IP works properly in above different mounting, hanging upside-down from a ceiling, sideways on trussing, or set on smooth horizontal surface. Be sure this facility is at least 12m (40ft) away from flammable

materials (decoration etc.). Always use and install the safety cable to prevent accidental damage or injury from the facility failure. Never use handles for secondary attachment.

NOTICE: The suitable environment temperature of the facility is from -25°C to 45°C . Do not place this facility in an environment where the temperatures are under or above the temperatures stated. This will help the fixture run at its best and extend the lifetime.

9. Product Size



10. Attention

1. When the facility is powered on, please avoid looking directly at the facility.

2. When assembling/ replacing LED, be sure to cut off the main power of facilities before opening the cover upon the LED board.

11. Trouble Shooting

Following are a few common problems that may occur during operation. Here are some suggestions for easy troubleshooting:

A. The unit does not work, no light and the fan does not work

1. Check the status of power connection and fuse.
2. Check the voltage.
3. Check the power indicator.

B. No response to DMX controller

1. If the display screen flashes, check the DMX signal connector and signal line whether the connection is correct.
3. If the display screen does not flash, but no response to channel control, check whether the address code or channel setting is correct.
3. If the DMX signal transmission is intermittent, check if the XLR and DMX cables are in good condition.
4. Try using another controller.
5. Check if the DMX cables is too close to the high-voltage wire, which may damage or interfere with the signal circuit.
6. The facility has not completed the self-check.

C. One of the channels is not working well

1. The stepper motor might be damaged or the cable connected to the PCB is broken.

2. The motor's drive IC on the PCB might be out of condition.

12. Fixture Cleaning

The lens and diffuser should be clean frequently to get better light effect. Wipe frequency according to the environment. Humidity, excessive smoke, and dirty environment will make lens dusty.

- Use soft cloth and special glass cleaner.
- Wipe lens surface at least every 30 days.
- Use vacuum cleaners or air guns to clean the interior structure of the facility, at least twice a year.



Warning:

To avoid the danger of lighting strikes and fire, please do not place the facility in a humid environment. Do not disassemble it without permission, otherwise, the manufacturer will not provide warranty. If the facility fails, please contact the manufacturer first.

Product Warranty Card

Product: 7x40w Mini Bee Eye Moving Head

Model NO.: BEYE-740-IP

Manufacture Date:

User:

Purchase Date:

Manufacturer:

Sales Store:

Address:

ATTN.:

ATTN.:

Phone:

Phone:

Note: The above blank must be filled in and sealed by the end user or sales point, otherwise no warranty will be provided. (Below please check the warranty period and terms)

Warranty Period: This facility is warranted for 2 years from the date of purchase.

Warranty Terms:

1. Except for man-made damage and natural disasters
2. If the facility fails to function properly during the warranty period, please contact our after service department or our local distributor directly.
 - 1) Fail to present a valid warranty card.
 - 2) Omissions, alterations, and trade sales names on the warranty card.
 - 3) Failures and damage caused by force majeure.
 - 4) Failures and damage caused during transportation and handling.
 - 5) Failures and damage caused by failure to follow the instructions for use.
 - 6) Failures and damage caused by disassembly, repair, and modification of the product without the manufacturer's authorization or by non-professionals.
 - 7) Failures caused by the use of accessories not approved by the factory or not matched by the factory.

▲ Thank you for reading this manual. Please keep it for future reference.