



## Round Spectator light /B1FC

Note: This manual contains important information on how to install and use it safely, please read it carefully and install and operate it as required. At the same time, please keep this manual properly for emergency use.

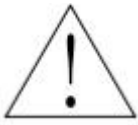
## Contents

Safety guidance information	3
Luminaire construction and installation	4
DMX signal connection, DMX signal description	4-5
DMX address code device, power connection, control line diagram	5-7
Control panel	8
Action menu	9-11
DMX Channel table	12-40
Maintenance, general troubleshooting	41
Luminaire technical parameters	42
Product size drawing	44

This product leaves the factory in good condition and the package is complete. All users should strictly abide by the warnings and operation instructions stated in this manual. Any damage caused by misuse is not guaranteed by the company. The dealer is not responsible for the failure and problems caused by ignoring the operation manual.

This manual is subject to technical changes without prior notice.

## Safety Guidance Information



### Warnings

Products are packaged in good condition before delivery, please follow the user manual for operation.



The machine failure caused by human causes is not covered by the warranty.

- After receiving the light fixture, unwrap it and check for any damage caused by shipping. If there is damage caused by transportation, please do not use this lamp.

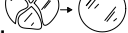
And contact the distributor or manufacturer as soon as possible.

- This product is suitable for indoor use, its protection level is IP65, the lamp should be kept clean, avoid use in wet or excessive dust environment.

Should be carried out every three months: maintenance.

- Please do not install the lamp directly on the surface of ordinary combustible substances. 
- Only qualified professionals can install, operate and maintain the luminaire, and ensure that the operation is strictly in accordance with the procedures described in this operating instruction manual.
- Do not project the luminaire directly on combustible objects, and keep the distance between the luminaire and the illuminated object at more than 3 meters.  $\sphericalangle 3m$  
- Do not look directly at the light source of the luminaire (especially for people with epilepsy) to avoid eye damage!
- Please do not open the lamp to repair yourself, and do not make any changes to the structure of the lamp.
- The person who connects the electrical part must have the corresponding qualification to operate.
- Before installation, please make sure that the power supply voltage you are using matches the voltage marked on the lamp.
- Each luminaire should be properly grounded and electrically installed in accordance with the relevant standards.
- Do not connect this luminaire to any other dimming device.
- When the lamp is suspended at a high height, for safety reasons, please pass the safety rope equipped with the lamp through the handle or related parts for auxiliary lifting.

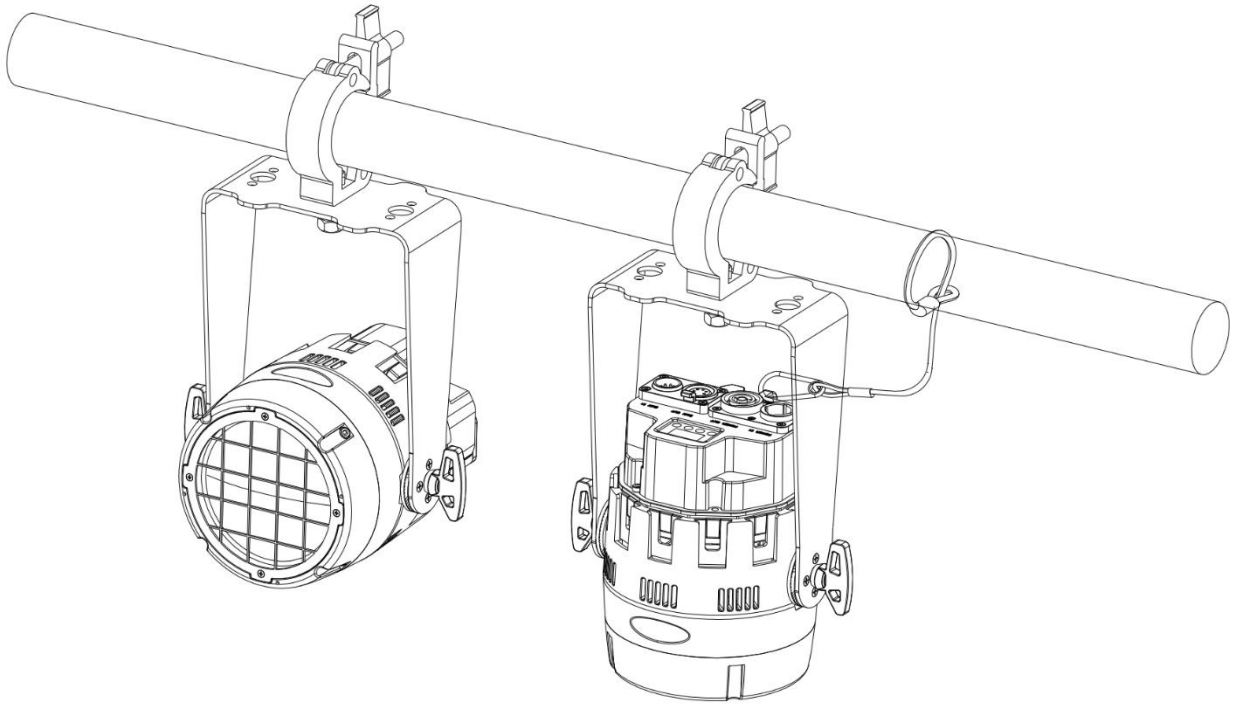
For specific installation methods, please refer to the relevant parts of this manual.

- When the LED lens and glass cover are seriously scratched or cracked, they need to be replaced. 
- After 5 minutes of work, the external surface temperature of the lamp is 45 ° C, and the external surface temperature of the lamp is 60 ° C after the lamp is stable (after constant temperature).
- There are no repairable parts inside the luminaire. Before starting to operate the light fixture, please check that all cover plates (or housings) are installed.
- Whether the screws have been reliably tightened. Do not use the light fixture with the cover (or housing)

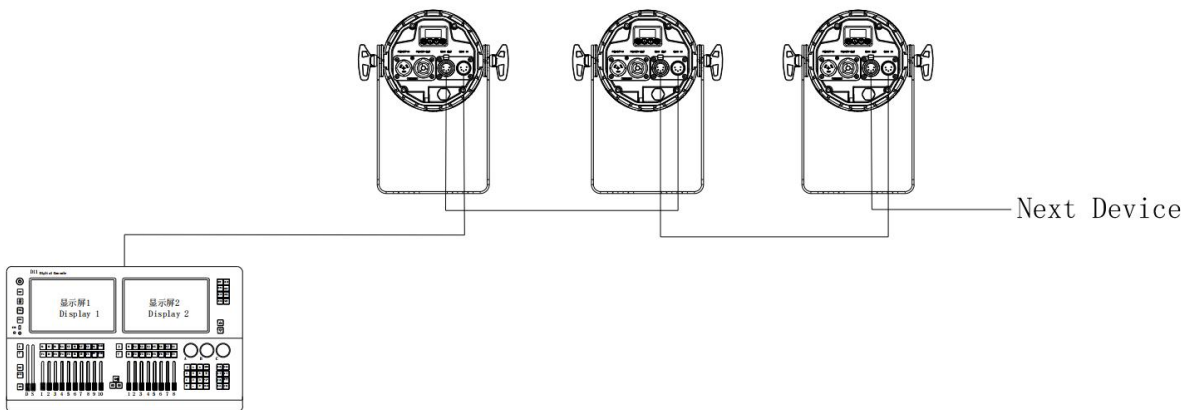
open.

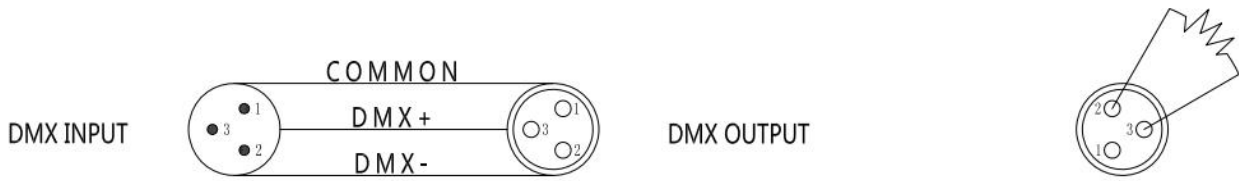
- If you have any questions or suggestions, please contact the distributor or manufacturer in time.

## Luminaire structure and installation



## DMX connection





- In order to reduce signal errors and avoid signal weakening and interference during transmission, A 120 ohm 1/4W resistor can be added between core 2 and core 3 at the DMX output of the last machine.
- Connect the luminaire with XLR signal wire, one end is connected to the output outlet of the luminaire, The other end is connected to the input port of the next lamp. Signal lines can only be used in series, not in parallel.
 

Because the DMX512 signal transmission speed is very fast, when the signal line is damaged, the welding is not strong, the contact is not good, etc.

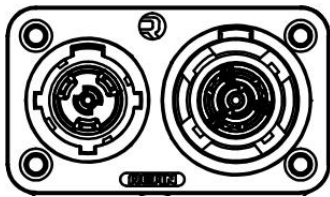
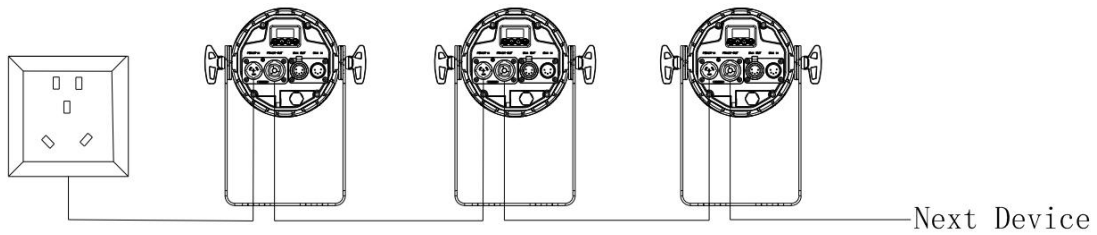
Will affect the signal transmission, resulting in the system shut down.
- When the machine power supply of a unit is disconnected, the DMX output and input are connected by bypass. In order to maintain DMX line connectivity.
- Each light should have an address code and be able to receive information from the console.
- The terminal of the DMX512 system needs to be equipped with a terminal to reduce the error of signal transmission.

## DMX address code Settings

Channel	Address	First address	Second address	Third station address	Station address 4
1CH	001-001	001	002	003	004
4CH	001-004	001	005	009	013
9CH	001-009	001	010	019	028
5CH	001-005	001	006	011	016
3CH	001-003	001	004	007	010
10CH	001-010	001	011	021	031
14CH	001-014	001	015	029	043
8CH	001-008	001	009	017	025
12CH	001-012	001	013	025	037
15CH	001-015	001	016	021	036
19CH	001-019	001	020	039	058
24CH	001-024	001	025	049	073
5CH	001-005	001	006	011	016
17CH	001-017	001	018	035	052
23CH	001-023	001	024	047	070

(refer to the image above) Number of lamps added from the 4th; Address code according to the channel, push in turn

## Cable connection



This product uses power in/out  
Connect the power cord hand-in-hand  
Note: One 1.5 square power cord due to power  
Pack up to 7 (230V) Pack up to 3 (110V)

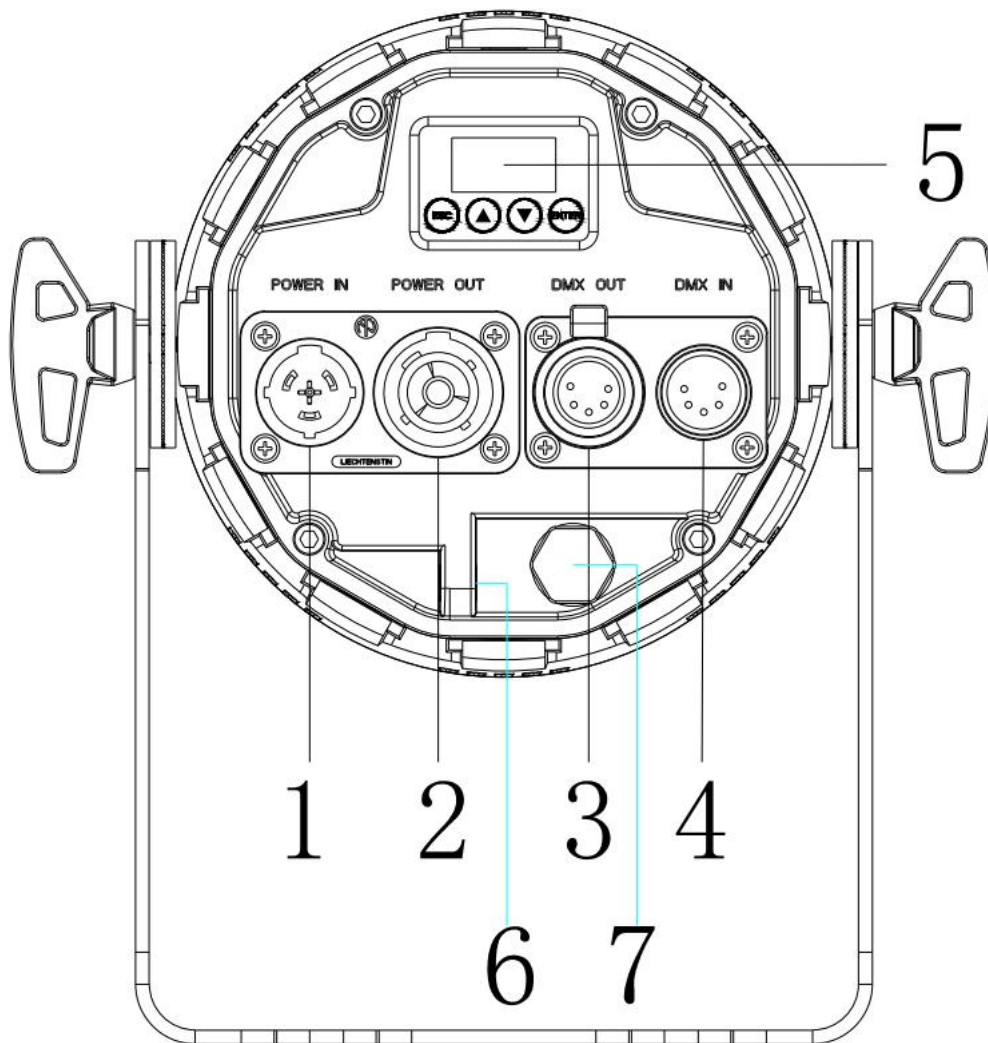


Warning

Do not connect too many lamps with a single power cord, or overload the work.  
Do not use the power cord whose insulation layer has been damaged, and do not put the power cord on other wires.  
When the lamp is not in use or clean, please remove the power cord.  
Do not unplug or drag the power cord.



## Control panel



1. POWER input: IP65 waterproof POWER IN the power cord input voltage: 100-240V 50/60HZ
2. POWER output: IP65 waterproof POWER OUT power connection line output voltage 100-240V 50/60HZ
3. DMX output: IP68 3-core DMX OUT waterproof signal line input
4. DMX input: IP65 3-core DMX IN waterproof signal line output
5. control menu panel
6. Safety hook
7. Breather valve

Panel function operation table below:

Features	Instructions	Function description	Function
ESC (function key)	Menu selection	Go to the menu selection function	Menu Operation
↑ (top key)	Up.	Go to the previous option	Change parameters Increase
↓ (down key)	Under the	Go to the latter option	Change parameter Reduce
ENTER (confirm key)	Confirm	Confirm the selected function	Save the final parameters

# Main Menu

Access the Main menu Password: 8888

Level 1 Menu	Secondary menu	Third level menu	Level 4 Menu	
1、 DMX address DMX Address	001-512			
	Cancel			
	Confirm			
2、 DMX channel pattern Channel Mode	1 CH DWE			
	4 CH DWE			
	9CH DWE+			
	5CH STROBE			
	3CH RGB			
	10CH BASIC RGB			
	14CH BASIC RGB			
	8CH STANDARD RGB			
	12CH STANDARD RGB			
	15CH EXTENDED RGB			
	19CH EXTENDED RGB			
	5CH DIRECT			
	12CH DIRECT			
	17CH DIRECT			
23CH DIRECT				
3、 Manual control Stand Alone	Stop the manual to Stop Stand Alone			
	Self-propelled mode Auto	Stop the built-in Stop Program		
		Built-in program 1 Effect1		
		Built-in program 2 Effect2		
		Built-in program 3 Effect3		
		Built-in program 4 Effect4		
		Built-in program 5 Effect5		
		Built-in program 6 Effect6		
		Built-in program 7 Effect7		
		Built-in program 8 Effect8		
		Built-in program 9 Effect9		
	Built-in program 10 Effect10			
	Color macros Color Macro	Turn off the Color macro Color off		
		Dimmer Dimmer		
		Color macros		
	Quick Light up Quick color	Dim Dimmer		
		Strobe Shutter		
		Red Red		
		Green Green		
		Blue Blue		
Amber				
White White				
	Dimmer 3 Dimmer			

	Temperature CCT	Strobe Shutter	
		Color temperature CCT	
		Red and green Tint	
	Custom color User Color	Color 1 Color 1	
		Color 2 Color 2	
		Color 3 Color 3	
		Color 4 Color 4	
		Color 5 Color 5	
	Color Settings Color Settings	Calibration mode Calibration Mode	
		Solid Color Mode RAW	
4, Master/Slave mode	Host mode Master		
	Slave mode Slave		
5、Light fixture Setup <b>Settings</b>	Display Settings Display	Display Invert Displays Flip	off on
		Deactivate to set Backlight	off on
		Auto Lock screen Auto lock	off on
	Boot mode Startup Mode	DMX	
		Self-propelled Auto	
		Color Macro mode Color Macro	
		Light the Quick Color quickly	
		Color temperature Mode Tunable White	
		User Color set User color	
	Signal hold DMX Fail	Hold hold	
		Black Field Blackout	
		Full Light Emergency Light	
	Dimming curve Dimmer Curve	Linear	
		Exponential	
		Logarithmic	
		S-Curve S-curve	
	Dimming delay Dimmer Response	LED	
		Medium	
		Halogen	
	DTW Open light DTW Switch	OFF	
		on On	
	White Balance RAW Balance	White Balance RAW	
		User defined User Calibrated	
	Dimming frequency LED Frequency	800Hz	
		1200Hz	
		2000Hz	
		3600Hz	
		12000Hz	
		25000Hz	
	Fan mode Fan	Auto Auto	
quiet Quiet			

		Fan Off	
		Max RPM Max Power	
	Transmission Settings	Carry DMX Including ADDR	
	Transfer Setting	Carry DMX Without ADDR	
	Power Settings	Low power Illumination	
	Power Setting	High power Boost	
	Factory setup	Restore Factory Reset	
	Factory	Restore user-defined User Reset	
		User Custom List User Reset List	
6, Language (Language)	Chinese		
	English		
7, password lock	Turn OFF	Password :8888	
password	Open ON		
6、Light fixture information System Info	Software version	Display Display board V1.0	
	Software Version	Driver Driver V3.0	
	Series Code	202407270001	
	RDM Code RDM ID	0x0991-0C3A0834	
	Temperature Info	LED1:000	
	Temperature		
	Fan Speed Fan speed	*****	
	Power on Time Power on time	Total:0000hours	
	Lights LED on Time	LED1:0000hours	
An error message Warning is displayed	None		

Note:

1. Only one machine can be set as the host in the same signal line. Please remove the DMX control signal when using the host function
- 2, in the synchronous control of multiple lamps can be transferred from the host parameters include: DMX channel mode, display setting state, operating mode state (including user program data), for parameter transfer, please set the machine as the host, other machines set as the slave machine

## DMX channel table

CH	1CH DWE	4CH DWE	9CH DWE+	5CH STROBE
1	Dimmer	Dimmer	Master Dimmer	Master Dimmer
2		Dimmer Curve	Shutter	Shutter
3		Dimmer Response	Red	Duration
4		Redshift	Green	Dimmer
5			Blue	CTC
6			CTC	
7			Dimmer Curve	
8			Dimmer Response	
9			Redshift	

CH	3CH RGB	10CH BASIC RGB	14CH BASIC RGB	8CH STANDARD RGB
1	Red	Master Dimmer	Master Dimmer	Master Dimmer
2	Green	Shutter	Master Dimmer Fine	Shutter
3	Blue	Red	Shutter	Dimmer
4		Green	Red	Red
5		Blue	Red Fine	Green
6		CTC	Green	Blue
7		Tint	Green Fine	CTC
8		Color Macro	Blue	Tint
9		Color Macro Cross fade	Blue Fine	Device Settings
10		Device Settings	CTC	
11			Tint	
13			Color Marco	
13			Color Macro Cross fade	
14			Device Settings	

CH	12CH STANDARD RGB	15CH EXTENDED RGB	19CH EXTENDED RGB
1	Master Dimmer	Master Dimmer	Master Dimmer
2	Master Dimmer Fine	Shutter	Master Dimmer Fine
3	Shutter	Duration	Shutter
4	Red	Red	Duration
5	Red Fine	Green	Red
6	Green	Blue	Red Fine
7	Green Fine	CTC	Green
8	Blue	Tint	Green Fine
9	Blue Fine	Color Macro	Blue
10	CTC	Color Macro Cross fade	Blue Fine
11	Tint	Effect	CTC
12	Device Settings	Dimmer Curve	Tint
13		Dimmer Response	Color Macro
14		Redshift	Color Macro Cross fade
15		Device Settings	Effect
16			Dimmer Curve
17			Dimmer Response
18			Redshift
19			Device Settings

CH	5CH DIRECT	12CH DIRECT	17CH DIRECT	23CH DIRECT
1	Red	Master Dimmer	Master Dimmer	Master Dimmer
2	Green	Shutter	Shutter	Master Dimmer Fine
3	Blue	Red	Duration	Shutter
4	Amber	Green	Red	Duration
5	White	Blue	Green	Red
6		Amber	Blue	Red Fine
7		White	Amber	Green
8		CTC	White	Green Fine
9		Tint	CTC	Blue
10		Color Macro	Tint	Blue Fine
11		Color Macro Cross fade	Color Macro	Amber
12		Device Settings	Color Macro Cross fade	Amber Fine
13			Effect	White
14			Dimmer Curve	White Fine
15			Dimmer Response	CTC
16			Redshift	Tint
17			Device Settings	Color Macro
18				Color Macro Cross fade
19				Effect
20				Dimmer Curve
21				Dimmer Response
22				Redshift
23				Device Settings

1CH DWE				
CH	Function	Value	Percent/Setting	Remark
1	Dimmer	000-255	0 - 100%	

4CH DWE				
CH	Function	Value	Percent/Setting	Remark
1	Dimmer	000-255	0 - 100%	
2	Dimmer Curve	000-051	No Function - Current Preset from Menu Settings	
		052-101	Linear Dimmer Curve	
		102-152	Exponential Dimmer Curve	
		153-203	Logarithmic Dimmer Curve	
		204-255	S-Curve Dimmer Curve	
3	Dimmer Response	000-063	No Function - Current Preset from Menu Settings	
		064-127	LED / fast	
		128-191	Medium	
		192-255	Halogen / slow	

4	Redshift	000-084	No Function - Current Preset from Menu Settings	
		085-170	Redshift Off	
		171-255	Redshift On	

9CH DWE+				
CH	Function	Value	Setting	Remark
1	Master Dimmer	000-255	0 - 100%	
2	Shutter	000-019	Shutter close	
		020-024	Shutter open	
		025-064	Strobe 1 (fast → slow)	
		065-069	Shutter open	
		070-084	Strobe 2: opening pulse (fast slow)	
		085-089	Shutter open	
		090-104	Strobe 3: closing pulse (fast slow)	
		105-109	Shutter open	
		110-124	Strobe 4: random strobe (fast slow)	
		125-129	Shutter open	
		130-144	Strobe 5: random opening pulse (fast slow)	
		145-149	Shutter open	
		150-164	Strobe 6: random closing pulse (fast slow)	
		165-169	Shutter open	
		170-184	Strobe 7: burst pulse (fast slow)	
		185-189	Shutter open	
		190-204	Strobe 8: random burst pulse (fast slow)	
205-209	Shutter open			
210-224	Strobe 9: sine wave (fast slow)			
225-229	Shutter open			
230-244	Strobe 10: burst (fast slow)			
245-255	Shutter open			
3	Red	000-255	0-100%	
4	Green	000-255	0-100%	
5	Blue	000-255	0-100%	
6	CTC (affects RGB)	000 - 004	2900K	according to CTC chart
		005-226	2000K-6500K linear in 20-21K steps (please see detailed CTC chart)	
		182-182	5600K	
		226-226	6500K	
		227-255	6621K-10.000K linear in 120-121K steps (please see detailed CTC chart)	
		000-051	No Function - Current Preset from Menu Settings	
		052-101	Linear Dimmer Curve	

7	Dimmer Curve	102-152	Exponential Dimmer Curve	
		153-203	Logarithmic Dimmer Curve	
		204-255	S-Curve Dimmer Curve	
8	Dimmer Response	000-063	No Function - Current Preset from Menu Settings	
		064-127	LED / fast	
		128-191	Medium	
		192-255	Halogen / slow	
9	Redshift	000-084	No Function - Current Preset from Menu Settings	
		085-170	Redshift Off	
		171-255	Redshift On	

5CH STROBE MODE				
CH	Function	Value	Setting	Remark
1	Master Dimmer	000-255	0-100%	
2	Shutter	000-019	Shutter close	
		020-024	Shutter open	
		025-064	Strobe 1 (fast → slow)	
		065-069	Shutter open	
		070-084	Strobe 2: opening pulse (fast slow)	
		085-089	Shutter open	
		090-104	Strobe 3: closing pulse (fast slow)	
		105-109	Shutter open	
		110-124	Strobe 4: random strobe (fast slow)	
		125-129	Shutter open	
		130-144	Strobe 5: random opening pulse (fast slow)	
		145-149	Shutter open	
		150-164	Strobe 6: random closing pulse (fast slow)	
		165-169	Shutter open	
		170-184	Strobe 7: burst pulse (fast slow)	
		185-189	Shutter open	
		190-204	Strobe 8: random burst pulse (fast slow)	
		205-209	Shutter open	
210-224	Strobe 9: sine wave (fast slow)			
225-229	Shutter open			
230-244	Strobe 10: burst (fast slow)			
245-255	Shutter open			
3	Duration	000-255	0 - 100% (0ms - 510ms)	only affects to channel 2 - Strobe 1 025-064
4	Dimmer	000-255	0 - 100%	

5	CTC	000-004	5600K	according to CTC chart
		005-182	2000K-6500K linear in 20-21K steps (please see detailed CTC chart)	
		182-182	5600K	
		226-226	6500K	
		227-255	6621K-10.000K linear in 120-121K steps (please see detailed CTC chart)	

3CH RGB				
CH	Function	Value	Setting	Remark
1	Red 1	000-255	0-100%	
2	Green 1	000-255	0-100%	
3	Blue 1	000-255	0-100%	

10CH BASIC RGB				
CH	Function	Value	Setting	Remark
1	Master Dimmer	000-255	0-100%	
2	Shutter	000-019	Shutter close	
		020-024	Shutter open	
		025-064	Strobe 1 (fast → slow)	
		065-069	Shutter open	
		070-084	Strobe 2: opening pulse (fast slow)	
		085-089	Shutter open	
		090-104	Strobe 3: closing pulse (fast slow)	
		105-109	Shutter open	
		110-124	Strobe 4: random strobe (fast slow)	
		125-129	Shutter open	
		130-144	Strobe 5: random opening pulse (fast slow)	
		145-149	Shutter open	
		150-164	Strobe 6: random closing pulse (fast slow)	
		165-169	Shutter open	
		170-184	Strobe 7: burst pulse (fast slow)	
		185-189	Shutter open	
		190-204	Strobe 8: random burst pulse (fast slow)	
205-209	Shutter open			
210-224	Strobe 9: sine wave (fast slow)			
225-229	Shutter open			
230-244	Strobe 10: burst (fast slow)			
245-255	Shutter open			
3	Red	000-255	0-100%	
4	Green	000-255	0-100%	

5	Blue	000-255	0-100%	
6	CTC (affects RGB)	000-004	5600K	according to CTC chart
		005-182	2000K-6500K linear in 20-21K steps (please see detailed CTC chart)	
		182-182	5600K	
		226-226	6500K	
		227-255	6621K-10.000K linear in 120-121K steps (please see detailed CTC chart)	
7	Tint (affects CTC and RGB)	000	no function	
		000-127	Magenta -> Neutral	
		128-128	Neutral	
		129-255	Neutral -> Green	
8	Color Macro (override RGB/CTC)	000-255	Please see Pomelo color macro chart	
9	Color Macro Cross fade (Transition Time between Color Macros)	000-005	No function	
		006-105	0,1 s-10s (0,1s steps)	
		106-214	11s - 119s (1s steps)	
		215-244	2m - 4m50s (10s steps)	
		245-255	5m - 15m (1m steps)	
10	Device Settings (please see remark * 1)	000-029	No function	
		030-034	Display Backlight On (hold 3s)	
		035-039	Display Backlight Off (hold 3s)	
		040-044	No function	
		045-049	DMX Fail Blackout (hold 3s)	
		050-054	DMX Fail Hold (hold 3s)	
		055-059	DMX Fail - Emergency Light (hold 3s)	
		060-064	No function	
		065-069	Linear Dimmer Curve (hold 1,5s)	
		070-074	Exponential Dimmer Curve (hold 1,5s) Exponential Dimmer Curve (Hold 1,5s)	
		075-079	Logarithmic Dimmer Curve (hold 1,5s) Logarithmic Dimmer Curve (Hold 1,5s)	
		080-084	S-curve Dimmer Curve (hold 1,5s) S-Curve Dimmer Curve (Hold 1,5s)	
		085-089	No function	
		090-094	LED (Fast) Dimmer Response (hold 1,5s)	
		095-099	Medium Dimmer Response (hold 1,5s)	
		100-104	Halogen (Slow) Dimmer Response (hold 1,5s) Halogen (slow) Dimmer Response (hold 1,5s)	
		105-109	No function	
110-114	Redshift On (hold 1,5s/affects only between 2700-3500K)			

		115-119	Redshift Off (hold 1,5s)	
		120-124	No function	
		125-129	Full Calibration (Colors & CCT / hold 3s)	
		130-134	CCT Calibration (RAW Colors / hold 3s)	
		135-139	No function	
		140-144	LED Frequency 800Hz (hold 3s)	
		145-149	LED Frequency 1200Hz (hold 3s)	
		150-154	LED Frequency 2000Hz (hold 3s)	
		155-159	LED Frequency 3600Hz (hold 3s)	
		160-164	LED Frequency 12KHz (hold 3s)	
		165-169	LED Frequency 25KHz (hold 3s)	
		170-174	No function	
		175-179	Fan Auto (hold 3s)	
		180-184	Fan Silent (hold 3s)	
		185-189	Fan Off (hold 3s)	
		190-194	Fan High Power (hold 3s)	
		195-199	No function	
		200-214	Invert Mapping Off (hold 3s)	
		215-219	Invert Mapping On (hold 3s)	
		220-224	No function	
		225-229	LED Mode - Illumination (hold 1,5s)	
		230-234	LED Mode - Boost (hold 1,5s)	
		235-239	No function	
		240-244	Factory Reset (hold 3s)	Reset only starts if Shutter channel is set to DMX 250
		245-249	User Reset (hold 3s)	Reset only starts if Shutter channel is set to DMX 250 / no self test by DMX
		250-255	No function	

14CH BASIC RGB				
CH	Function	Value	Setting	Remark
1	Master Dimmer	000-255	0-100%	
2	Master Dimmer Fine	000-255	0-100%	
		000-019	Shutter close	
		020-024	Shutter open	
		025-064	Strobe 1 (fast → slow)	
		065-069	Shutter open	
		070-084	Strobe 2: opening pulse (fast slow)	
		085-089	Shutter open	
		090-104	Strobe 3: closing pulse (fast slow)	

3	Shutter	105-109	Shutter open	
		110-124	Strobe 4: random strobe (fast slow)	
		125-129	Shutter open	
		130-144	Strobe 5: random opening pulse (fast slow)	
		145-149	Shutter open	
		150-164	Strobe 6: random closing pulse (fast slow)	
		165-169	Shutter open	
		170-184	Strobe 7: burst pulse (fast slow)	
		185-189	Shutter open	
		190-204	Strobe 8: random burst pulse (fast slow)	
		205-209	Shutter open	
		210-224	Strobe 9: sine wave (fast slow)	
		225-229	Shutter open	
		230-244	Strobe 10: burst (fast slow)	
245-255	Shutter open			
4	Red	000-255	0-100%	
5	Red Fine	000-255	0-100%	
6	Green	000-255	0-100%	
7	Green Fine	000-255	0-100%	
8	Blue	000-255	0-100%	
9	Blue Fine	000-255	0-100%	
10	CTC (affects RGB)	000-004	5600K	according to CTC chart
		005-182	2000K-6500K linear in 20-21K steps (please see detailed CTC chart)	
		182-182	5600K	
		226-226	6500K	
		227-255	6621K-10.000K linear in 120-121K steps (please see detailed CTC chart)	
11	Tint (affects CTC and RGB)	000	no function	
		000-127	Magenta -> Neutral	
		128-128	Neutral	
		129-255	Neutral -> Green	
12	Color Macro (override RGB/CTC)	000-255	Please see Pomelo color macro chart	
13	Color Macro Cross fade (Transition Time between Color Macros)	000-005	No function	
		006-105	0,1 s-10s (0,1s steps)	
		106-214	11s - 119s (1s steps)	
		215-244	2m - 4m50s (10s steps)	
		245-255	5m - 15m (1m steps)	
		000-029	No function	
		030-034	Display Backlight On (hold 3s)	

14	Device Settings (please see remark *1)	035-039	Display Backlight Off (hold 3s)	
		040-044	No function	
		045-049	DMX Fail Blackout (hold 3s)	
		050-054	DMX Fail Hold (hold 3s)	
		055-059	DMX Fail - Emergency Light (hold 3s)	
		060-064	No function	
		065-069	Linear Dimmer Curve (hold 1,5s)	
		070-074	Exponential Dimmer Curve (hold 1,5s) Exponential Dimmer Curve (Hold 1,5s)	
		075-079	Logarithmic Dimmer Curve (hold 1,5s) Logarithmic Dimmer Curve (Hold 1,5s)	
		080-084	S-curve Dimmer Curve (hold 1,5s) S-Curve Dimmer Curve (Hold 1,5s)	
		085-089	No function	
		090-094	LED (Fast) Dimmer Response (hold 1,5s)	
		095-099	Medium Dimmer Response (hold 1,5s)	
		100-104	Halogen (Slow) Dimmer Response (hold 1,5s) Halogen (slow) Dimmer Response (hold 1,5s)	
		105-109	No function	
		110-114	Redshift On (hold 1,5s/affects only between 2700-3500K )	
		115-119	Redshift Off (hold 1,5s)	
		120-124	No function	
		125-129	Full Calibration (Colors & CCT / hold 3s)	
		130-134	CCT Calibration (RAW Colors / hold 3s)	
		135-139	No function	
		140-144	LED Frequency 800Hz (hold 3s)	
		145-149	LED Frequency 1200Hz (hold 3s)	
		150-154	LED Frequency 2000Hz (hold 3s)	
		155-159	LED Frequency 3600Hz (hold 3s)	
		160-164	LED Frequency 12KHz (hold 3s)	
		165-169	LED Frequency 25KHz (hold 3s)	
		170-174	No function	
		175-179	Fan Auto (hold 3s)	
		180-184	Fan Silent (hold 3s)	
		185-189	Fan Off (hold 3s)	
		190-194	Fan High Power (hold 3s)	
		195-199	No function	
		200-214	Invert Mapping Off (hold 3s)	
215-219	Invert Mapping On (hold 3s)			
220-224	No function			
225-229	LED Mode - Illumination (hold 1,5s)			

		230-234	LED Mode - Boost (hold 1,5s)	
		235-239	No function	
		240-244	Factory Reset (hold 3s)	Reset only starts if Shutter channel is set to DMX 250
		245-249	User Reset (hold 3s)	Reset only starts if Shutter channel is set to DMX 250 / no self test by DMX
		250-255	No function	

8CH STANDARD RGB				
CH	Function	Value	Setting	Remark
1	Master Dimmer	000-255	0 - 100%	
2	Shutter	000-019	Shutter close	
		020-024	Shutter open	
		025-064	Strobe 1 (fast → slow)	
		065-069	Shutter open	
		070-084	Strobe 2: opening pulse (fast slow)	
		085-089	Shutter open	
		090-104	Strobe 3: closing pulse (fast slow)	
		105-109	Shutter open	
		110-124	Strobe 4: random strobe (fast slow)	
		125-129	Shutter open	
		130-144	Strobe 5: random opening pulse (fast slow)	
		145-149	Shutter open	
		150-164	Strobe 6: random closing pulse (fast slow)	
		165-169	Shutter open	
		170-184	Strobe 7: burst pulse (fast slow)	
		185-189	Shutter open	
		190-204	Strobe 8: random burst pulse (fast slow)	
		205-209	Shutter open	
		210-224	Strobe 9: sine wave (fast slow)	
225-229	Shutter open			
230-244	Strobe 10: burst (fast slow)			
245-255	Shutter open			
3	Red	000-255	0-100%	
4	Green	000-255	0-100%	
5	Blue	000-255	0-100%	
		000-004	5600K	
		005-182	2000K-6500K linear in 20-21K steps	

6	CTC (affects RGB )		(please see detailed CTC chart)	according to CTC chart
		182-182	5600K	
		226-226	6500K	
		227-255	6621K-10.000K linear in 120-121K steps (please see detailed CTC chart)	
7	Tint (affects CTC and RGB )	000	no function	
		000-127	Magenta -> Neutral	
		128-128	Neutral	
		129-255	Neutral -> Green	
8	Device Settings (please see remark *1)	000-029	No function	
		030-034	Display Backlight On (hold 3s)	
		035-039	Display Backlight Off (hold 3s)	
		040-044	No function	
		045-049	DMX Fail Blackout (hold 3s)	
		050-054	DMX Fail Hold (hold 3s)	
		055-059	DMX Fail - Emergency Light (hold 3s)	
		060-064	No function	
		065-069	Linear Dimmer Curve (hold 1,5s)	
		070-074	Exponential Dimmer Curve (hold 1,5s) Exponential Dimmer Curve (Hold 1,5s)	
		075-079	Logarithmic Dimmer Curve (hold 1,5s) Logarithmic Dimmer Curve (Hold 1,5s)	
		080-084	S-curve Dimmer Curve (hold 1,5s) S-Curve Dimmer Curve (Hold 1,5s)	
		085-089	No function	
		090-094	LED (Fast) Dimmer Response (hold 1,5s)	
		095-099	Medium Dimmer Response (hold 1,5s)	
		100-104	Halogen (Slow) Dimmer Response (hold 1,5s) Halogen (slow) Dimmer Response (hold 1,5s)	
		105-109	No function	
		110-114	Redshift On (hold 1,5s/affects only bet ween 2700-3500K )	
		115-119	Redshift Off (hold 1,5s)	
		120-124	No function	
125-129	Full Calibration (Colors & CCT / hold 3s)			
130-134	CCT Calibration (RAW Colors / hold 3s)			
135-139	No function			
140-144	LED Frequency 800Hz (hold 3s)			
145-149	LED Frequency 1200Hz (hold 3s)			
150-154	LED Frequency 2000Hz (hold 3s)			
155-159	LED Frequency 3600Hz (hold 3s)			
160-164	LED Frequency 12KHz (hold 3s)			

		165-169	LED Frequency 25KHz (hold 3s)	
		170-174	No function	
		175-179	Fan Auto (hold 3s)	
		180-184	Fan Silent (hold 3s)	
		185-189	Fan Off (hold 3s)	
		190-194	Fan High Power (hold 3s)	
		195-199	No function	
		200-214	Invert Mapping Off (hold 3s)	
		215-219	Invert Mapping On (hold 3s)	
		220-224	No function	
		225-229	LED Mode - Illumination (hold 1,5s)	
		230-234	LED Mode - Boost (hold 1,5s)	
		235-239	No function	
		240-244	Factory Reset (hold 3s)	Reset only starts if Shutter channel is set to DMX 250
		245-249	User Reset (hold 3s)	Reset only starts if Shutter channel is set to DMX 250 / no self test by DMX
		250-255	No function	

12CH STANDARD RGB				
CH	Function	Value	Setting	Remark
1	Master Dimmer	000-255	0 - 100%	
2	Master Dimmer Fine	000-255	0 - 100%	
3	Shutter	000-019	Shutter close	
		020-024	Shutter open	
		025-064	Strobe 1 (fast → slow)	
		065-069	Shutter open	
		070-084	Strobe 2: opening pulse (fast slow)	
		085-089	Shutter open	
		090-104	Strobe 3: closing pulse (fast slow)	
		105-109	Shutter open	
		110-124	Strobe 4: random strobe (fast slow)	
		125-129	Shutter open	
		130-144	Strobe 5: random opening pulse (fast slow)	
		145-149	Shutter open	
		150-164	Strobe 6: random closing pulse (fast slow)	
		165-169	Shutter open	
170-184	Strobe 7: burst pulse (fast slow)			

		185-189	Shutter open	
		190-204	Strobe 8: random burst pulse (fast slow)	
		205-209	Shutter open	
		210-224	Strobe 9: sine wave (fast slow)	
		225-229	Shutter open	
		230-244	Strobe 10: burst (fast slow)	
		245-255	Shutter open	
4	Red	000-255	0-100%	
5	Red Fine	000-255	0-100%	
6	Green	000-255	0-100%	
7	Green Fine	000-255	0-100%	
8	Blue	000-255	0-100%	
9	Blue Fine	000-255	0-100%	
10	CTC (affects RGB)	000-004	5600K	according to CTC chart
		005-182	2000K-6500K linear in 20-21K steps (please see detailed CTC chart)	
		182-182	5600K	
		226-226	6500K	
		227-255	6621K-10.000K linear in 120-121K steps (please see detailed CTC chart)	
11	Tint (affects CTC and RGB )	000	no function	
		000-127	Magenta -> Neutral	
		128-128	Neutral	
		129-255	Neutral -> Green	
12	Device Settings (please see remark *1)	000-029	No function	
		030-034	Display Backlight On (hold 3s)	
		035-039	Display Backlight Off (hold 3s)	
		040-044	No function	
		045-049	DMX Fail Blackout (hold 3s)	
		050-054	DMX Fail Hold (hold 3s)	
		055-059	DMX Fail - Emergency Light (hold 3s)	
		060-064	No function	
		065-069	Linear Dimmer Curve (hold 1,5s)	
		070-074	Exponential Dimmer Curve (hold 1,5s)	
		075-079	Logarithmic Dimmer Curve (hold 1,5s) Logarithmic Dimmer Curve (Hold 1,5s)	
		080-084	S-curve Dimmer Curve (hold 1,5s) S-Curve Dimmer Curve (Hold 1,5s)	
		085-089	No function	
		090-094	LED (Fast) Dimmer Response (hold 1,5s)	
		095-099	Medium Dimmer Response (hold 1,5s)	
		100-104	Halogen (Slow) Dimmer Response (hold 1,5s) Halogen (slow) Dimmer Response	

			(hold 1,5s)	
		105-109	No function	
		110-114	Redshift On (hold 1,5s/affects only between 2700-3500K )	
		115-119	Redshift Off (hold 1,5s)	
		120-124	No function	
		125-129	Full Calibration (Colors & CCT / hold 3s)	
		130-134	CCT Calibration (RAW Colors / hold 3s)	
		135-139	No function	
		140-144	LED Frequency 800Hz (hold 3s)	
		145-149	LED Frequency 1200Hz (hold 3s)	
		150-154	LED Frequency 2000Hz (hold 3s)	
		155-159	LED Frequency 3600Hz (hold 3s)	
		160-164	LED Frequency 12KHz (hold 3s)	
		165-169	LED Frequency 25KHz (hold 3s)	
		170-174	No function	
		175-179	Fan Auto (hold 3s)	
		180-184	Fan Silent (hold 3s)	
		185-189	Fan Off (hold 3s)	
		190-194	Fan High Power (hold 3s)	
		195-199	No function	
		200-214	Invert Mapping Off (hold 3s)	
		215-219	Invert Mapping On (hold 3s)	
		220-224	No function	
		225-229	LED Mode - Illumination (hold 1,5s)	
		230-234	LED Mode - Boost (hold 1,5s)	
		235-239	No function	
		240-244	Factory Reset (hold 3s)	Reset only starts if Shutter channel is set to DMX 250
		245-249	User Reset (hold 3s)	Reset only starts if Shutter channel is set to DMX 250 / no self test by DMX
		250-255	No function	

15CH STANDARD RGB				
CH	Function	Value	Setting	Remark
1	Master Dimmer	000-255	0 - 100%	
		000-019	Shutter close	
		020-024	Shutter open	
		025-064	Strobe 1 (fast → slow)	
		065-069	Shutter open	

2	Shutter	070-084	Strobe 2: opening pulse (fast slow)	
		085-089	Shutter open	
		090-104	Strobe 3: closing pulse (fast slow)	
		105-109	Shutter open	
		110-124	Strobe 4: random strobe (fast slow)	
		125-129	Shutter open	
		130-144	Strobe 5: random opening pulse (fast slow)	
		145-149	Shutter open	
		150-164	Strobe 6: random closing pulse (fast slow)	
		165-169	Shutter open	
		170-184	Strobe 7: burst pulse (fast slow)	
		185-189	Shutter open	
		190-204	Strobe 8: random burst pulse (fast slow)	
		205-209	Shutter open	
		210-224	Strobe 9: sine wave (fast slow)	
		225-229	Shutter open	
230-244	Strobe 10: burst (fast slow)			
245-255	Shutter open			
3	Duration	000-255	0 - 100% (0ms - 510ms)	only affects to channel 2 - Strobe 1 025-064
4	Red	000-255	0 - 100%	
5	Green	000-255	0 - 100%	
6	Blue	000-255	0 - 100%	
7	CTC (affects RGB )	000-004	5600K	according to CTC chart
		005-182	2000K-6500K linear in 20-21K steps (please see detailed CTC chart)	
		182-182	5600K	
		226-226	6500K	
		227-255	6621K-10.000K linear in 120-121K steps (please see detailed CTC chart)	
8	Tint (affects CTC and RGB )	000	no function	
		000-127	Magenta -> Neutral	
		128-128	Neutral	
		129-255	Neutral -> Green	
9	Color Macro(override RGB / CTC )	000-255	Please see Pomelo color macro chart	
10	Color Macro Cross fade (Transition Time between Color Macros)	000-005	No function	
		006-105	0,1 s-10s (0,1s steps)	
		106-214	11s - 119s (1s steps)	
		215-244	2m - 4m50s (10s steps)	
		245-255	5m - 15m (1m steps)	

11	Effect override RGB /Color Macro	000-015	No Function	
		016-039	Effect 1 (slow to fast)	
		040-063	Effect 2 (slow to fast)	
		064-087	Effect 3 (slow to fast)	
		088-111	Effect 4 (slow to fast)	
		112-135	Effect 5 (slow to fast)	
		136-159	Effect 6 (slow to fast)	
		160-183	Effect 7 (slow to fast)	
		184-207	Effect 8 (slow to fast)	
		208-231	Effect 9 (slow to fast)	
		232-255	Effect 10 (slow to fast)	
12	Dimmer Curve	000-051	No Function - Current Preset from Menu Settings	
		052-101	Linear Dimmer Curve	
		102-152	Exponential Dimmer Curve	
		153-203	Logarithmic Dimmer Curve	
		204-255	S-Curve Dimmer Curve	
13	Dimmer Response	000-063	No Function - Current Preset from Menu Settings	
		064-127	LED / fast	
		128-191	Medium	
		192-255	Halogen / slow	
14	Redshift	000-084	No Function - Current Preset from Menu Settings	Redshift affects only between CCT 2700-3500K.
		085-170	Redshift Off	
		171-255	Redshift On	
	Device Settings	000-029	No function	
		030-034	Display Backlight On (hold 3s)	
		035-039	Display Backlight Off (hold 3s)	
		040-044	No function	
		045-049	DMX Fail Blackout (hold 3s)	
		050-054	DMX Fail Hold (hold 3s)	
		055-059	DMX Fail - Emergency Light (hold 3s)	
		060-064	No function	
		065-069	Linear Dimmer Curve (hold 1,5s)	
		070-074	Exponential Dimmer Curve (hold 1,5s) Exponential Dimmer Curve (Hold 1,5s)	
		075-079	Logarithmic Dimmer Curve (hold 1,5s) Logarithmic Dimmer Curve (Hold 1,5s)	
		080-084	S-curve Dimmer Curve (hold 1,5s) S-Curve Dimmer Curve (Hold 1,5s)	
		085-089	No function	
		090-094	LED (Fast) Dimmer Response (hold 1,5s)	

15	(please see remark *1)	095-099	Medium Dimmer Response (hold 1,5s)	
		100-104	Halogen (Slow) Dimmer Response (hold 1,5s)	
		105-109	No function	
		110-114	Redshift On (hold 1,5s/affects only between 2700-3500K )	
		115-119	Redshift Off (hold 1,5s)	
		120-124	No function	
		125-129	Full Calibration (Colors & CCT / hold 3s)	
		130-134	CCT Calibration (RAW Colors / hold 3s)	
		135-139	No function	
		140-144	LED Frequency 800Hz (hold 3s)	
		145-149	LED Frequency 1200Hz (hold 3s)	
		150-154	LED Frequency 2000Hz (hold 3s)	
		155-159	LED Frequency 3600Hz (hold 3s)	
		160-164	LED Frequency 12KHz (hold 3s)	
		165-169	LED Frequency 25KHz (hold 3s)	
		170-174	No function	
		175-179	Fan Auto (hold 3s)	
		180-184	Fan Silent (hold 3s)	
		185-189	Fan Off (hold 3s)	
		190-194	Fan High Power (hold 3s)	
		195-199	No function	
		200-214	Invert Mapping Off (hold 3s)	
		215-219	Invert Mapping On (hold 3s)	
		220-224	No function	
		225-229	LED Mode - Illumination (hold 1,5s)	
		230-234	LED Mode - Boost (hold 1,5s)	
		235-239	No function	
		240-244	Factory Reset (hold 3s)	Reset only starts if Shutter channel is set to DMX 250
245-249	User Reset (hold 3s)	Reset only starts if Shutter channel is set to DMX 250 / no self test by DMX		
250-255	No function			

19CH STANDARD RGB				
CH	Function	Value	Setting	Remark
1	Master Dimmer	000-255	0 - 100%	
2	Master Dimmer Fine	000-255	0 - 100%	
		000-019	Shutter close	

3	Shutter	020-024	Shutter open	
		025-064	Strobe 1 (fast → slow)	
		065-069	Shutter open	
		070-084	Strobe 2: opening pulse (fast slow)	
		085-089	Shutter open	
		090-104	Strobe 3: closing pulse (fast slow)	
		105-109	Shutter open	
		110-124	Strobe 4: random strobe (fast slow)	
		125-129	Shutter open	
		130-144	Strobe 5: random opening pulse (fast slow)	
		145-149	Shutter open	
		150-164	Strobe 6: random closing pulse (fast slow)	
		165-169	Shutter open	
		170-184	Strobe 7: burst pulse (fast slow)	
		185-189	Shutter open	
		190-204	Strobe 8: random burst pulse (fast slow)	
		205-209	Shutter open	
		210-224	Strobe 9: sine wave (fast slow)	
		225-229	Shutter open	
230-244	Strobe 10: burst (fast slow)			
245-255	Shutter open			
4	Duration	000-255	0 - 100% (0ms - 510ms)	only affects to channel 2 - Strobe 1 025-064
5	Red	000-255	0-100%	
6	Red Fine	000-255	0-100%	
7	Green	000-255	0-100%	
8	Green Fine	000-255	0-100%	
9	Blue	000-255	0-100%	
10	Blue Fine	000-255	0-100%	
11	CTC (affects RGB )	000-004	5600K	according to CTC chart
		005-182	2000K-6500K linear in 20-21K steps (please see detailed CTC chart)	
		182-182	5600K	
		226-226	6500K	
		227-255	6621K-10.000K linear in 120-121K steps (please see detailed CTC chart)	
12	Tint1 (affects CTC and RGB )	000	no function	
		000-127	Magenta -> Neutral	
		128-128	Neutral	
		129-255	Neutral -> Green	
13	Color Macro(override	000-255	Please see Pomelo color macro chart	

	RGB / CTC )			
14	Color Macro Cross fade (Transition Time between Color Macros)	000-005	No function	
		006-105	0,1 s-10s (0,1s steps)	
		106-214	11s - 119s (1s steps)	
		215-244	2m - 4m50s (10s steps)	
		245-255	5m - 15m (1m steps)	
15	Effect override RGB Color Macro	000-015	No Function	
		016-039	Effect 1 (slow to fast)	
		040-063	Effect 2 (slow to fast)	
		064-087	Effect 3 (slow to fast)	
		088-111	Effect 4 (slow to fast)	
		112-135	Effect 5 (slow to fast)	
		136-159	Effect 6 (slow to fast)	
		160-183	Effect 7 (slow to fast)	
		184-207	Effect 8 (slow to fast)	
		208-231	Effect 9 (slow to fast) )	
232-255	Effect 10 (slow to fast)			
16	Dimmer Curve	000-051	No Function - Current Preset from Menu Settings	
		052-101	Linear Dimmer Curve	
		102-152	Exponential Dimmer Curve	
		153-203	Logarithmic Dimmer Curve	
		204-255	S-Curve Dimmer Curve	
17	Dimmer Response	000-063	No Function - Current Preset from Menu Settings	
		064-127	LED / fast	
		128-191	Medium	
		192-255	Halogen / slow	
18	Redshift	000-084	No Function - Current Preset from Menu Settings	Redshift affects only between CCT 2700-3500K.
		085-170	Redshift Off	
		171-255	Redshift On	
		000-029	No function	
		030-034	Display Backlight On (hold 3s)	
		035-039	Display Backlight Off (hold 3s)	
		040-044	No function	
		045-049	DMX Fail Blackout (hold 3s)	
		050-054	DMX Fail Hold (hold 3s)	
		055-059	DMX Fail - Emergency Light (hold 3s)	
		060-064	No function	
		065-069	Linear Dimmer Curve (hold 1,5s)	
		070-074	Exponential Dimmer Curve (hold 1,5s) Exponential Dimmer Curve (Hold 1,5s)	

19	Device Settings (please see remark *1)	075-079	Logarithmic Dimmer Curve (hold 1,5s) Logarithmic Dimmer Curve (Hold 1,5s)	
		080-084	S-curve Dimmer Curve (hold 1,5s) S-Curve Dimmer Curve (Hold 1,5s)	
		085-089	No function	
		090-094	LED (Fast) Dimmer Response (hold 1,5s)	
		095-099	Medium Dimmer Response (hold 1,5s)	
		100-104	Halogen (Slow) Dimmer Response (hold 1,5s) Halogen (slow) Dimmer Response (hold 1,5s)	
		105-109	No function	
		110-114	Redshift On (hold 1,5s/affects only between 2700-3500K )	
		115-119	Redshift Off (hold 1,5s)	
		120-124	No function	
		125-129	Full Calibration (Colors & CCT / hold 3s)	
		130-134	CCT Calibration (RAW Colors / hold 3s)	
		135-139	No function	
		140-144	LED Frequency 800Hz (hold 3s)	
		145-149	LED Frequency 1200Hz (hold 3s)	
		150-154	LED Frequency 2000Hz (hold 3s)	
		155-159	LED Frequency 3600Hz (hold 3s)	
		160-164	LED Frequency 12KHz (hold 3s)	
		165-169	LED Frequency 25KHz (hold 3s)	
		170-174	No function	
		175-179	Fan Auto (hold 3s)	
		180-184	Fan Silent (hold 3s)	
		185-189	Fan Off (hold 3s)	
		190-194	Fan High Power (hold 3s)	
		195-199	No function	
		200-214	Invert Mapping Off (hold 3s)	
		215-219	Invert Mapping On (hold 3s)	
		220-224	No function	
		225-229	LED Mode - Illumination (hold 1,5s)	
		230-234	LED Mode - Boost (hold 1,5s)	
		235-239	No function	
		240-244	Factory Reset (hold 3s)	Reset only starts if Shutter channel is set to DMX 250
245-249	User Reset (hold 3s)	Reset only starts if Shutter channel is set to DMX 250 / no self test by DMX		
250-255	No function			

5CH DIRECT				
CH	Function	Value	Setting	Remark
1	Red	000-255	0-100%	
2	Green	000-255	0-100%	
3	Blue	000-255	0-100%	
4	Amber	000-255	0-100%	
5	White	000-255	0-100%	

12CH DIRECT				
CH	Function	Value	Setting	Remark
1	Master Dimmer	000-255	0 - 100%	
2	Shutter	000-019	Shutter close	
		020-024	Shutter open	
		025-064	Strobe 1 (fast → slow)	
		065-069	Shutter open	
		070-084	Strobe 2: opening pulse (fast slow)	
		085-089	Shutter open	
		090-104	Strobe 3: closing pulse (fast slow)	
		105-109	Shutter open	
		110-124	Strobe 4: random strobe (fast slow)	
		125-129	Shutter open	
		130-144	Strobe 5: random opening pulse (fast slow)	
		145-149	Shutter open	
		150-164	Strobe 6: random closing pulse (fast slow)	
		165-169	Shutter open	
		170-184	Strobe 7: burst pulse (fast slow)	
		185-189	Shutter open	
		190-204	Strobe 8: random burst pulse (fast slow)	
		205-209	Shutter open	
210-224	Strobe 9: sine wave (fast slow)			
225-229	Shutter open			
230-244	Strobe 10: burst (fast slow)			
245-255	Shutter open			
3	Red	000-255	0-100%	
4	Green	000-255	0-100%	
5	Blue	000-255	0-100%	
6	Amber	000-255	0-100%	
7	White	000-255	0-100%	
		000-004	5600K	
		005-182	2000K-6500K linear in 20-21K steps	

8	CTC (affects RGBAW)		(please see detailed CTC chart)	according to CTC chart
		182-182	5600K	
		226-226	6500K	
		227-255	6621K-10.000K linear in 120-121K steps (please see detailed CTC chart)	
9	Tint (affects CTC and RGBAW )	000	no function	
		000-127	Magenta -> Neutral	
		128-128	Neutral	
		129-255	Neutral -> Green	
10	Color Macro (override RGB /CTC	000-255	Please see Pomelo color macro chart	
11	Color Macro Cross fade (Transition Time between Color Macros)	000-005	No function	
		006-105	0,1 s-10s (0,1s steps)	
		106-214	11s - 119s (1s steps)	
		215-244	2m - 4m50s (10s steps)	
		245-255	5m - 15m (1m steps)	
12	Device Settings (please see remark *1)	000-029	No function	
		030-034	Display Backlight On (hold 3s)	
		035-039	Display Backlight Off (hold 3s)	
		040-044	No function	
		045-049	DMX Fail Blackout (hold 3s)	
		050-054	DMX Fail Hold (hold 3s)	
		055-059	DMX Fail - Emergency Light (hold 3s)	
		060-064	No function	
		065-069	Linear Dimmer Curve (hold 1,5s)	
		070-074	Exponential Dimmer Curve (hold 1,5s) Exponential Dimmer Curve (Hold 1,5s)	
		075-079	Logarithmic Dimmer Curve (hold 1,5s) Logarithmic Dimmer Curve (Hold 1,5s)	
		080-084	S-curve Dimmer Curve (hold 1,5s) S-Curve Dimmer Curve (Hold 1,5s)	
		085-089	No function	
		090-094	LED (Fast) Dimmer Response (hold 1,5s)	
		095-099	Medium Dimmer Response (hold 1,5s)	
		100-104	Halogen (Slow) Dimmer Response (hold 1,5s) Halogen (slow) Dimmer Response (hold 1,5s)	
		105-109	No function	
		110-114	Redshift On (hold 1,5s/affects only bet ween 2700-3500K )	
		115-119	Redshift Off (hold 1,5s)	
120-124	No function			
125-129	Full Calibration (Colors & CCT / hold 3s)			

		130-134	CCT Calibration (RAW Colors / hold 3s)	
		135-139	No function	
		140-144	LED Frequency 800Hz (hold 3s)	
		145-149	LED Frequency 1200Hz (hold 3s)	
		150-154	LED Frequency 2000Hz (hold 3s)	
		155-159	LED Frequency 3600Hz (hold 3s)	
		160-164	LED Frequency 12KHz (hold 3s)	
		165-169	LED Frequency 25KHz (hold 3s)	
		170-174	No function	
		175-179	Fan Auto (hold 3s)	
		180-184	Fan Silent (hold 3s)	
		185-189	Fan Off (hold 3s)	
		190-194	Fan High Power (hold 3s)	
		195-199	No function	
		200-214	Invert Mapping Off (hold 3s)	
		215-219	Invert Mapping On (hold 3s)	
		220-224	No function	
		225-229	LED Mode - Illumination (hold 1,5s)	
		230-234	LED Mode - Boost (hold 1,5s)	
		235-239	No function	
		240-244	Factory Reset (hold 3s)	Reset only starts if Shutter channel is set to DMX 250
		245-249	User Reset (hold 3s)	Reset only starts if Shutter channel is set to DMX 250 / no self test by DMX
		250-255	No function	

17CH DIRECT				
CH	Function	Value	Setting	Remark
1	Master Dimmer	000-255	0 - 100%	
		000-019	Shutter close	
		020-024	Shutter open	
		025-064	Strobe 1 (fast → slow)	
		065-069	Shutter open	
		070-084	Strobe 2: opening pulse (fast slow)	
		085-089	Shutter open	
		090-104	Strobe 3: closing pulse (fast slow)	
		105-109	Shutter open	
		110-124	Strobe 4: random strobe (fast slow)	
		125-129	Shutter open	

2	Shutter	130-144	Strobe 5: random opening pulse (fast slow)	
		145-149	Shutter open	
		150-164	Strobe 6: random closing pulse (fast slow)	
		165-169	Shutter open	
		170-184	Strobe 7: burst pulse (fast slow)	
		185-189	Shutter open	
		190-204	Strobe 8: random burst pulse (fast slow)	
		205-209	Shutter open	
		210-224	Strobe 9: sine wave (fast slow)	
		225-229	Shutter open	
		230-244	Strobe 10: burst (fast slow)	
245-255	Shutter open			
3	Duration	000-255	0 - 100% (0ms - 510ms)	only affects to channel 2 - Strobe 1 025-064
4	Red	000-255	0-100%	
5	Green	000-255	0-100%	
6	Blue	000-255	0-100%	
7	Amber	000-255	0-100%	
8	White	000-255	0-100%	
9	CTC (affects RGBAW )	000-004	5600K	according to CTC chart
		005-182	2000K-6500K linear in 20-21K steps (please see detailed CTC chart)	
		182-182	5600K	
		226-226	6500K	
		227-255	6621K-10.000K linear in 120-121K steps (please see detailed CTC chart)	
10	Tint (affects CTC and RGBAW )	000	no function	
		000-127	Magenta -> Neutral	
		128-128	Neutral	
		129-255	Neutral -> Green	
11	Color Macro(override RGBAW / CTC )	000-255	Please see Pomelo color macro chart	
12	Color Macro Cross Fade (Transition Time between Color Macros )	000-005	No function	
		006-105	0,1 s-10s (0,1s steps)	
		106-214	11s - 119s (1s steps)	
		215-244	2m - 4m50s (10s steps)	
		245-255	5m - 15m (1m steps)	
		000-015	No Function	
		016-039	Effect 1 (slow to fast)	
		040-063	Effect 2 (slow to fast)	
		064-087	Effect 3 (slow to fast)	

13	Effect override RGB / CTC, Color Macro	088-111	Effect 4 (slow to fast)	
		112-135	Effect 5 (slow to fast)	
		136-159	Effect 6 (slow to fast)	
		160-183	Effect 7 (slow to fast)	
		184-207	Effect 8 (slow to fast)	
		208-231	Effect 9 (slow to fast) )	
		232-255	Effect 10 (slow to fast)	
14	Dimmer Curve	000-051	No Function - Current Preset from Menu Settings	
		052-101	Linear Dimmer Curve	
		102-152	Exponential Dimmer Curve	
		153-203	Logarithmic Dimmer Curve	
		204-255	S-Curve Dimmer Curve	
15	Dimmer Response	000-063	No Function - Current Preset from Menu Settings	
		064-127	LED / fast	
		128-191	Medium	
		192-255	Halogen / slow	
16	Redshift	000-084	No Function - Current Preset from Menu Settings	Redshift affects only between CCT 2700-3500K.
		085-170	Redshift Off	
		171-255	Redshift On	
17	Device Settings (please see	000-029	No function	
		030-034	Display Backlight On (hold 3s)	
		035-039	Display Backlight Off (hold 3s)	
		040-044	No function	
		045-049	DMX Fail Blackout (hold 3s)	
		050-054	DMX Fail Hold (hold 3s)	
		055-059	DMX Fail - Emergency Light (hold 3s)	
		060-064	No function	
		065-069	Linear Dimmer Curve (hold 1,5s)	
		070-074	Exponential Dimmer Curve (hold 1,5s) Exponential Dimmer Curve (Hold 1,5s)	
		075-079	Logarithmic Dimmer Curve (hold 1,5s) Logarithmic Dimmer Curve (Hold 1,5s)	
		080-084	S-curve Dimmer Curve (hold 1,5s) S-Curve Dimmer Curve (Hold 1,5s)	
		085-089	No function	
		090-094	LED (Fast) Dimmer Response (hold 1,5s)	
		095-099	Medium Dimmer Response (hold 1,5s)	
		100-104	Halogen (Slow) Dimmer Response (hold 1,5s) Halogen (slow) Dimmer Response (hold 1,5s)	

remark *1)	105-109	No function	
	110-114	Redshift On (hold 1,5s/affects only between 2700-3500K )	
	115-119	Redshift Off (hold 1,5s)	
	120-124	No function	
	125-129	Full Calibration (Colors & CCT / hold 3s)	
	130-134	CCT Calibration (RAW Colors / hold 3s)	
	135-139	No function	
	140-144	LED Frequency 800Hz (hold 3s)	
	145-149	LED Frequency 1200Hz (hold 3s)	
	150-154	LED Frequency 2000Hz (hold 3s)	
	155-159	LED Frequency 3600Hz (hold 3s)	
	160-164	LED Frequency 12KHz (hold 3s)	
	165-169	LED Frequency 25KHz (hold 3s)	
	170-174	No function	
	175-179	Fan Auto (hold 3s)	
	180-184	Fan Silent (hold 3s)	
	185-189	Fan Off (hold 3s)	
	190-194	Fan High Power (hold 3s)	
	195-199	No function	
	200-214	Invert Mapping Off (hold 3s)	
	215-219	Invert Mapping On (hold 3s)	
	220-224	No function	
	225-229	LED Mode - Illumination (hold 1,5s)	
	230-234	LED Mode - Boost (hold 1,5s)	
	235-239	No function	
	240-244	Factory Reset (hold 3s)	Reset only starts if Shutter channel is set to DMX 250
	245-249	User Reset (hold 3s)	Reset only starts if Shutter channel is set to DMX 250 / no self test by DMX
	250-255	No function	

23CH DIRECT				
CH	Function	Value	Setting	Remark
1	Master Dimmer	000-255	0 - 100%	
2	Master Dimmer Fine	000-255	0 - 100%	
		000-019	Shutter close	
		020-024	Shutter open	
		025-064	Strobe 1 (fast → slow)	
		065-069	Shutter open	

3	Shutter	070-084	Strobe 2: opening pulse (fast slow)	
		085-089	Shutter open	
		090-104	Strobe 3: closing pulse (fast slow)	
		105-109	Shutter open	
		110-124	Strobe 4: random strobe (fast slow)	
		125-129	Shutter open	
		130-144	Strobe 5: random opening pulse (fast slow)	
		145-149	Shutter open	
		150-164	Strobe 6: random closing pulse (fast slow)	
		165-169	Shutter open	
		170-184	Strobe 7: burst pulse (fast slow)	
		185-189	Shutter open	
		190-204	Strobe 8: random burst pulse (fast slow)	
		205-209	Shutter open	
		210-224	Strobe 9: sine wave (fast slow)	
		225-229	Shutter open	
230-244	Strobe 10: burst (fast slow)			
245-255	Shutter open			
4	Duration	000-255	0 - 100% (0ms - 510ms)	only affects to channel 2 - Strobe 1 025-064
5	Red	000-255	0-100%	
6	Red Fine	000-255	0-100%	
7	Green	000-255	0-100%	
8	Green Fine	000-255	0-100%	
9	Blue	000-255	0-100%	
10	Blue Fine	000-255	0-100%	
11	Amber	000-255	0-100%	
12	Amber Fine	000-255	0-100%	
13	White	000-255	0-100%	
14	White Fine	000-255	0-100%	
15	CTC (affects RGBAW )	000-004	5600K	according to CTC chart
		005-182	2000K-6500K linear in 20-21K steps (please see detailed CTC chart)	
		182-182	5600K	
		226-226	6500K	
		227-255	6621K-10.000K linear in 120-121K steps (please see detailed CTC chart)	
16	Tint (affects CTC and RGBAW)	000	no function	
		000-127	Magenta -> Neutral	
		128-128	Neutral	
		129-255	Neutral -> Green	

17	Color Macro (override RGBAW/ CTC )	000-255	Please see Pomelo color macro chart	
18	Color Macro Cross Fade (Transition Time between Color Macros )	000-005	No function	
		006-105	0,1 s-10s (0,1s steps)	
		106-214	11s - 119s (1s steps)	
		215-244	2m - 4m50s (10s steps)	
		245-255	5m - 15m (1m steps)	
19	Effect override RGB / CTC Color Macro	000-015	No Function	
		016-039	Effect 1 (slow to fast)	
		040-063	Effect 2 (slow to fast)	
		064-087	Effect 3 (slow to fast)	
		088-111	Effect 4 (slow to fast)	
		112-135	Effect 5 (slow to fast)	
		136-159	Effect 6 (slow to fast)	
		160-183	Effect 7 (slow to fast)	
		184-207	Effect 8 (slow to fast)	
		208-231	Effect 9 (slow to fast) )	
		232-255	Effect 10 (slow to fast)	
20	Dimmer Curve	000-051	No Function - Current Preset from Menu Settings	
		052-101	Linear Dimmer Curve	
		102-152	Exponential Dimmer Curve	
		153-203	Logarithmic Dimmer Curve	
		204-255	S-Curve Dimmer Curve	
21	Dimmer Response	000-063	No Function - Current Preset from Menu Settings	
		064-127	LED / fast	
		128-191	Medium	
		192-255	Halogen / slow	
22	Redshift	000-084	No Function - Current Preset from Menu Settings	Redshift affects only between CCT 2700- 3500K
		085-170	Redshift Off	
		171-255	Redshift On	
		000-029	No function	
		030-034	Display Backlight On (hold 3s)	
		035-039	Display Backlight Off (hold 3s)	
		040-044	No function	
		045-049	DMX Fail Blackout (hold 3s)	
		050-054	DMX Fail Hold (hold 3s)	
		055-059	DMX Fail - Emergency Light (hold 3s)	
		060-064	No function	
		065-069	Linear Dimmer Curve (hold 1,5s)	

23	Device Settings (please see remark *1)	070-074	Exponential Dimmer Curve (hold 1,5s)	
		075-079	Logarithmic Dimmer Curve (hold 1,5s) Logarithmic Dimmer Curve (Hold 1,5s)	
		080-084	S-curve Dimmer Curve (hold 1,5s) S-Curve Dimmer Curve (Hold 1,5s)	
		085-089	No function	
		090-094	LED (Fast) Dimmer Response (hold 1,5s)	
		095-099	Medium Dimmer Response (hold 1,5s)	
		100-104	Halogen (Slow) Dimmer Response (hold 1,5s) Halogen (slow) Dimmer Response (hold 1,5s)	
		105-109	No function	
		110-114	Redshift On (hold 1,5s/affects only between 2700-3500K )	
		115-119	Redshift Off (hold 1,5s)	
		120-124	No function	
		125-129	Full Calibration (Colors & CCT / hold 3s)	
		130-134	CCT Calibration (RAW Colors / hold 3s)	
		135-139	No function	
		140-144	LED Frequency 800Hz (hold 3s)	
		145-149	LED Frequency 1200Hz (hold 3s)	
		150-154	LED Frequency 2000Hz (hold 3s)	
		155-159	LED Frequency 3600Hz (hold 3s)	
		160-164	LED Frequency 12KHz (hold 3s)	
		165-169	LED Frequency 25KHz (hold 3s)	
		170-174	No function	
		175-179	Fan Auto (hold 3s)	
		180-184	Fan Silent (hold 3s)	
		185-189	Fan Off (hold 3s)	
		190-194	Fan High Power (hold 3s)	
		195-199	No function	
		200-214	Invert Mapping Off (hold 3s)	
		215-219	Invert Mapping On (hold 3s)	
		220-224	No function	
		225-229	LED Mode - Illumination (hold 1,5s)	
		230-234	LED Mode - Boost (hold 1,5s)	
		235-239	No function	
		240-244	Factory Reset (hold 3s)	Reset only starts if Shutter channel is set to DMX 250
245-249	User Reset (hold 3s)	Reset only starts if Shutter channel is set to DMX 250 / no self test by DMX		

		250-255	No function	
--	--	---------	-------------	--

Channel priority: Dimming > Built-in Program Call > User Program Call > ARGBW Dimming > HSV Dimming > Macro Instruction > Color temperature

## Maintenance

In order to extend the service life of the lamp, the maintenance of the lamp is very necessary. The outdoor use environment is harsh, or the lamp will be placed for a long time

The lens cover, the lamp shell and other parts accumulate moisture, dust, at this time need to clean the lamp to optimize the light effect output, but also to prevent dust and acid

The gas will cause corrosion to the shell.

The frequency of cleaning depends on the operating frequency of the lamp and the surrounding environment. When cleaning with a soft cloth and general glass cleaning products to carefully wipe, it is recommended

Clean at least once every 20 days.

Do not wipe the luminaires housing with organic solvents such as alcohol to avoid damage.

## General Troubleshooting

Fault phenomena	Cause of the fault	Handling method
No menu display	1. No AC input 2. The switching power supply is damaged 3. The display board is faulty	1. Check the power supply line 2. Check whether the switching power supply has voltage output 3. Replace the display board
No DMX signal is being received	1. The DMX signal cable is faulty 2. The sequence of connecting signal cables is incorrect 3. The receiving signal IC at the signal input terminal is damaged 4. DMX address code setup and console The corresponding control does not match 5. Other parameters are incorrectly set 6. Do not press the confirm button after entering the menu Or Esc key exit to the main menu	1. Check or replace the signal cable 2. Check the wiring sequence of signal cables 3. Check that the display board signal accepts IC and The two resistors strung along the signal line are open 4. Check or reset the address code Or restore the factory Settings and test again 5 Press Esc to exit to the main menu
The light body surface temperature is over 75°	1. The thermistor on the LED lamp bead board is faulty 2. The temperature control circuit	1. Replace the thermistor 2 Check the temperature control circuit on the motherboard

Cannot be protected by temperature control	on the display board is faulty 3. See if the radiator fan is running at a low speed	3 Replace the fan
The cast light does not mix evenly Uneven color spots	1.LED welding is not correct 2. The lens or bracket is not properly mounted	1. Check the LED bead welding condition 2. Check the lens assembly process, Adjust the assembly direction of the bracket
The light bead does not shine or flickers a little	The LED is damaged or the driver board has no current output	1. Replace the LED light bead 2. Replace the damaged LED Or check the driver board wiring 3 Replace the corresponding driver IC
Parameters are not saved	The IC used to store the parameters is damaged	Replace the storage IC
The whole light is powered on and does not work	When the temperature is too high, temperature control protection is caused Switching power supply overtemperature protection does not work	Let the lamp body cool before turning it on

## Lamp parameters

Technical parameter sheet:

Optical parameters:	
Light Source	1x 550W Red, Green, Blue, Amber, Warm-White
Illumination	@1m Lux12170; @3m Lux1638; @5m Lux625; @7m Lux387;
temperature	2800K WW: 2000K-10000K (±100K)
Optical system	Reflectors with composite eye lenses
Color rendering index	Ra≥93
Master wavelength	R630nm/G529nm/B461nm/A589nm/W583nm
Light source life	20,000 hours
Beam Angle (50%)	50 °
Maximum field Angle (10%)	87 °
Pixel Matrix	Integral control
Stroboscopic	0 to 25Hz
Power supply parameters:	
Input voltage and frequency	100 to 240V/AC, 50 to 60Hz

Power connection	Waterproof power cord input/output, maximum number of connections 7 @230V
Signal connections	Three/five core waterproof signal adapter input/output, the maximum number of connections 32 units
Constant power	120W
Maximum power	300W
Power factor	0.95/230 v
Working environment	-15 ~ 45°C
Structural parameters:	
Dimensions	Product size: 195*145*145mm
Weight	Net weight: 2.35 kg
Level of protection	IP65
Cooling system	Fan heat dissipation
Housing	Magnesium aluminum alloy, black (customizable color)
Installation method	Flat ground, vertical hanging, side hanging
Controls:	
Control mode	DMX512/RDM
DMX channel	1CH DWE, 4CH DWE, 9CH DWE+, 5CH STROBE, 3CH RGB, 10CH BASIC RGB, 14CH BASIC RGB, 8CH STANDARD RGB, 12CH STANDARD RGB, 15CH EXTENDED RGB, 19CH EXTENDED RGB, 5CH DIRECT, 12CH DIRECT, 17CH DIRECT, 23CH DIRECT
Display	OLED display with 4 tap buttons
Refresh rate	800Hz/1200Hz/2000Hz/3600Hz/12000Hz/25000Hz
Dimming delay	LED/Medium/Halogen
Dimmer curve selection	Linear /Exponential/Logarithmic/S-Curve
Accessories:	
Standard	Eurospec waterproof power cord 1PCS; Manual 1PCS

# Outline dimensions drawing

