



Strobe block /S2 IP

Note: This manual contains important information on how to safely install and use, please read it carefully and install and operate according to the requirements. At the same time, please keep this manual properly for emergency use.

Contents

Safety guidance information	3
Luminaire structure and installation	4 - 5
DMX signal connection, DMX signal instructions	6
DMX address code device, power connection	7
Control panel	8-9
Operation menu	9-13
DMX channel table	13-
	95.
Maintenance, general troubleshooting	95-
	96.
Luminaire technical parameters	97
Product size chart	98

This product leaves the factory in good condition and the package is complete. All users should strictly abide by the warnings and operation instructions stated in this manual. Any damage caused by misuse is not guaranteed by the company. The dealer is not responsible for the failure and problems caused by ignoring the operation manual.

This manual is subject to technical changes without prior notice.

Safety Guidance Information



Warnings

The products are packaged in good condition before delivery. Please follow the user manual for operation.



The machine failure caused by human causes is not covered by the warranty.

- After receiving the light fixture, unwrap it and check for any damage caused by shipping. If there is damage caused by transportation, please do not use this lamp.

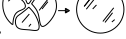
And contact the distributor or manufacturer as soon as possible.

- This product is suitable for indoor use, its protection level is IP65, the lamp should be kept clean, avoid use in wet or excessive dust environment.

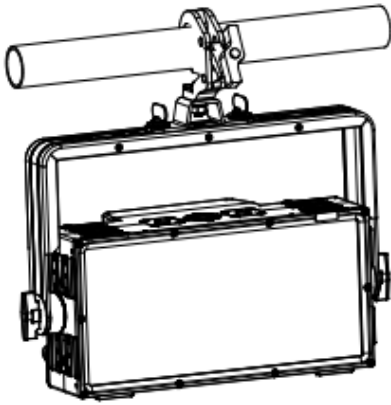
Should be carried out every three months: maintenance.

- Please do not install the lamp directly on the surface of ordinary combustible substances. 
- Only qualified professionals can install, operate and maintain the luminaire, and ensure that the operation is strictly in accordance with the procedures described in this operating instruction manual.
- Do not project the luminaire directly on combustible objects, and keep the distance between the luminaire and the illuminated object at more than 3 meters. $\geq 3\text{m}$ 
- Do not look directly at the light source of the luminaire (especially for people with epilepsy) to avoid eye damage!
- Please do not open the lamp to repair yourself, and do not make any changes to the structure of the lamp.
- The person who connects the electrical part must have the corresponding qualification to operate.
- Before installation, please make sure that the power supply voltage you are using matches the voltage marked on the lamp.
- Each luminaire should be properly grounded and electrically installed in accordance with the relevant standards.
- Do not connect this luminaire to any other dimming device.
- When the luminaire is suspended from a high place, for safety reasons, please pass the safety rope equipped with the luminaire through the handle or related parts for auxiliary lifting.

For specific installation methods, please refer to the relevant parts of this manual.

- When the LED lens and glass cover are seriously scratched or cracked, they need to be replaced. 
- After 5 minutes of work, the external surface temperature of the lamp is 45°C, and the external surface temperature of the lamp is 65°C after the lamp is stable (after constant temperature).
- There are no repairable parts inside the luminaire. Before starting to operate the light fixture, please check that all cover plates (or housings) are installed.
- Whether the screws have been reliably tightened. Do not use the light fixture with the cover (or housing) open.
- If you have any questions or suggestions, please contact the distributor or manufacturer in time.

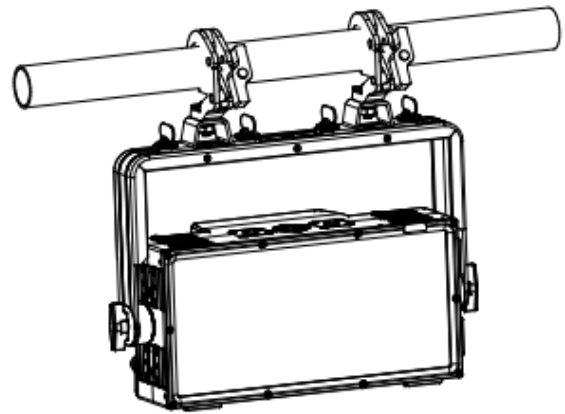
Luminaire structure and installation



c. With 1x Omega Bracket

Max. Tension Load: 41kg

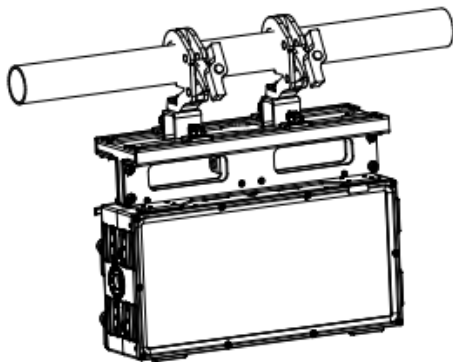
Max. Torsion Load: 4.768Nmm



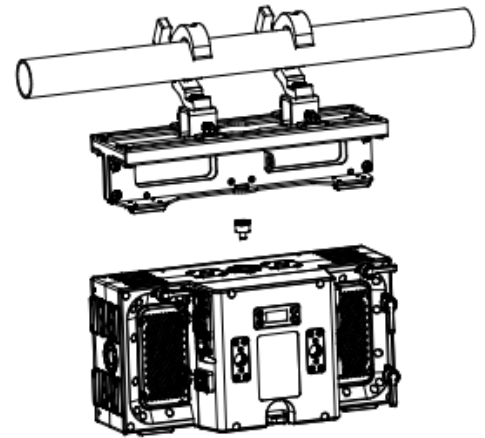
d. With 2x Omega Bracket

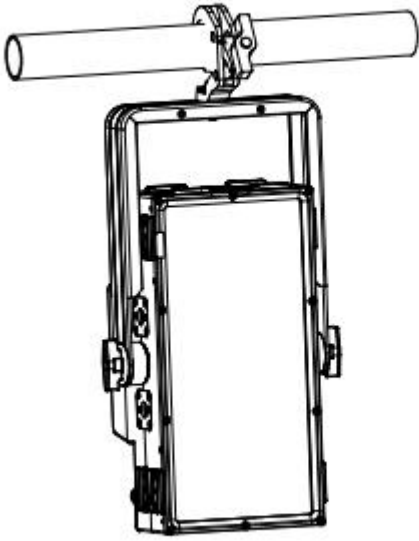
Max. Tension Load: 80kg

Max. Torsion Load: 5.943Nmm



Max. Tension Load: 62kg
Max. Torsion Load: 6.326Nmm

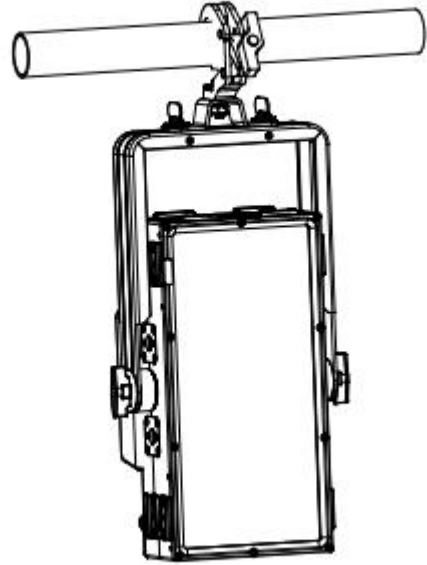




e. YOKE 2.2 with 1x Mounting Clamp

Max. Tension Load: 78kg

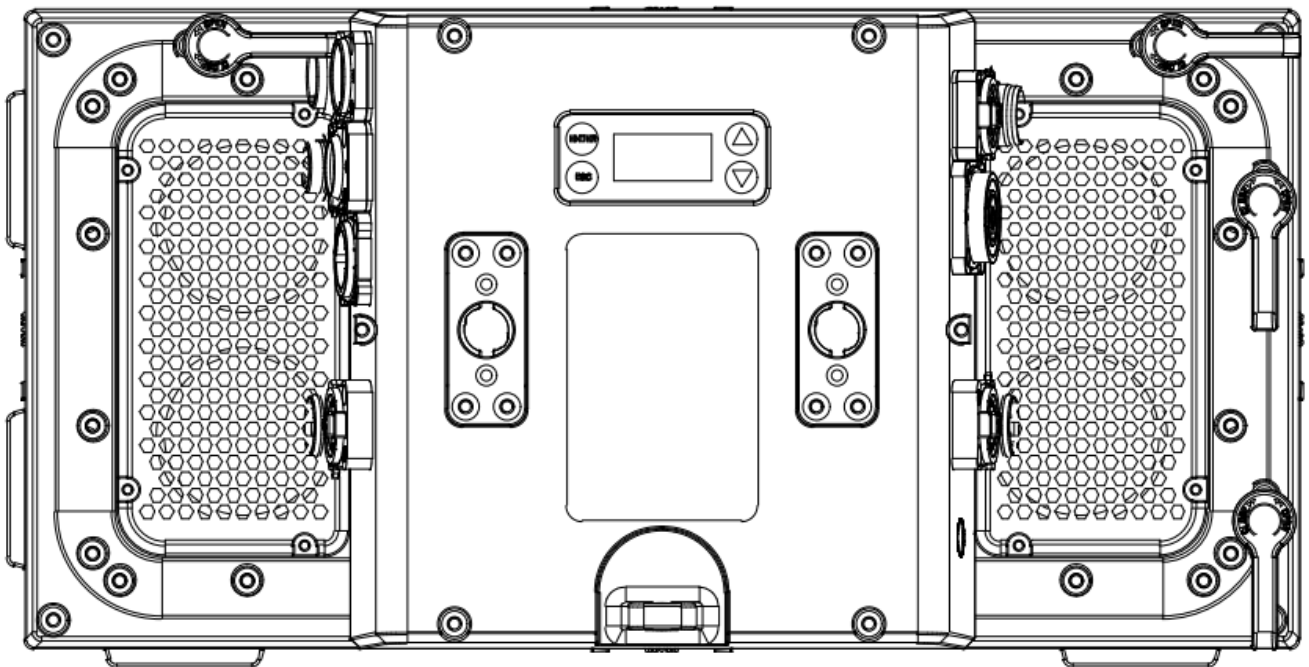
Max. Torsion Load: 8.238Nmm



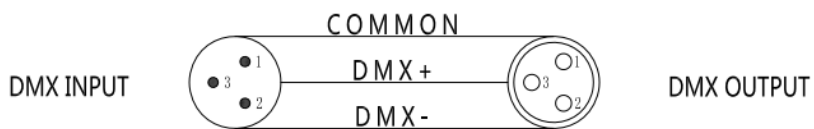
f. YOKE 2.2 with 1x Omega Bracket

Max. Tension Load: 66kg

Max. Torsion Load: 6.476Nmm



DMX connection



- In order to reduce signal errors and avoid signal weakening and interference during transmission, A 120 ohm 1/4W resistor can be added between core 2 and core 3 at the DMX output of the last machine.
- Connect the luminaire with XLR signal wire, one end is connected to the output outlet of the luminaire, The other end is connected to the input port of the next lamp. Signal lines can only be used in series, not in parallel. Because the DMX512 signal transmission speed is very fast, when the signal line is damaged, the welding is not strong, the contact is not good, etc.
Can affect signal transmission and shut down the system.
- When the machine power supply of a unit is disconnected, the DMX output and input are connected by bypass. In order to maintain the connection of the DMX line.
- Each light should have an address code and be able to receive information from the console.
- The terminal of the DMX512 system needs to be equipped with a terminal to reduce the error of signal transmission.

DMX address code Settings

Channel	Address	First address	Second address	Third station address	Station address	4
16CH	001-016.	001	017	033	049	
30CH	001-030.	001	031	061	091	
62CH	001-062.	001	063	125	187	
118CH	001-118.	001	119	236	354	
221CH	001-221.	001	222	443		
188CH	001-188.	001	189	377		
291CH	001-291.	001	292			
110CH	001-110.	001	111	221	331	

(refer to the picture above) Number of lamps added from 4th; Address code according to the channel, push in turn

Cable connection



POWER IN



POWER OUT

This product uses power in/out

Connect the power cord hand-in-hand

Note: One 1.5 square power cord due to power

Take up to 4 units (230V)



Warning

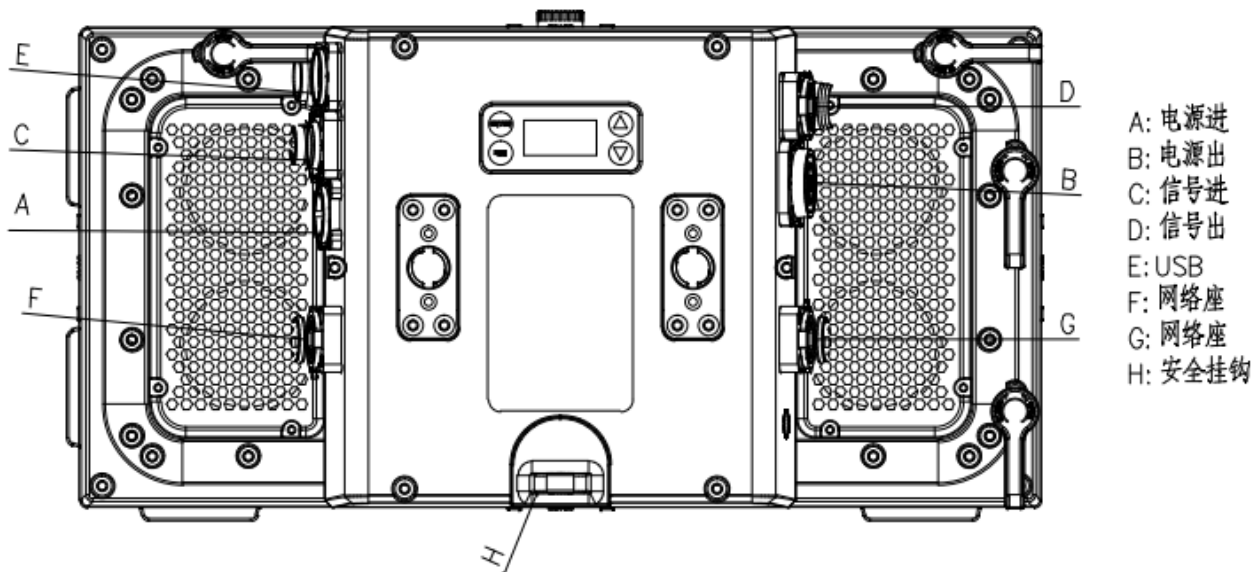
Do not connect too many lamps with a single power cord, or overload the work.

Do not use the power cord whose insulation layer has been damaged, and do not put the power cord on other wires.

When the lamp is not in use or clean, please remove the power cord.

Do not unplug or drag the power cord.

Control panel



- A、POWER input: IP65 waterproof POWER IN power cord Input voltage: 100-240V 50/60HZ
Power input connector with rubber seal cover. Connect using the power cable provided (always close with the rubber seal cover when not in use)
- B、POWER output: IP65 waterproof POWER OUT Power cable output voltage 100-240V 50/60HZ
Power output connector with rubber seal cover. Power other fixtures. Make sure the total power consumption of all connected Daisy chain devices does not exceed 8A (amps)! (Always close with a rubber seal cover when not in use)
- C、DMX input: IP65 three core DMX IN waterproof signal cable input (when not in use, always close with rubber seal cover)
- D、DMX output: IP65 three core DMX OUT waterproof signal cable output (when not in use, always closed with rubber seal cover)
- E、IP65 USB port for firmware updates (always closed with rubber seal cover when not in use)
- F、IP65 network port (always closed with rubber seal cover when not in use)
- G、IP65 network port (always closed with rubber seal cover when not in use)
- H、Safety hook

Panel function operation is as follows:

The description of panel functions is displayed

Feature	Instructions	Function Description	Function
ESC (function key)	Menu selection	Go to the menu selection function	Menu Operation
↑ (top key)	Up.	Go to the previous option	Change parameters Increase
↓ (down key)	Under the	Go to the latter option	Change parameter Reduce
ENTER (confirm key)	Confirm	Confirm the selected feature	Save the final parameters

Main Menu

DMX Mode	16CH/30CH/62CH/118CH/221CH/188CH/291CH/110CH		Channel pattern
Stand Alone	Stop Stand Alone		Stop manual mode
	Auto FX	Dimmer Speed Effect 1 Effect 2 Effect 3 Effect 4 Effect 5 Effect 6 Effect 7 Effect 8 Effect 9 Effect 10	0-100% 0-100% Built-in effects
	Color Macro	Color Off Turns off the color macro and returns to the previous level menu	Color macros
		Dimmer 0-100%	
		Color Macros 1-46	
	Quick Color	Center <0-100>	Quick Light up Settings
		Single <0-100>	
		RGB <0-100>	
		Shutter <0-255>	
		Red <0-100>	
Green <0-100>			
Tunable White	Blue <0-100>	Variable white light (color temperature)	
	Dimmer <0-100>		
	Shutter <0-255>		
	CCT <2000K-10.000> Default 5600K		
	Tint <000> +/-127		
User Color	Color 1	Custom color	
	Color 2		
	Color 3		
	Color 4		
	Color 5		
			Dimmer <0-100> Shutter <0-255> Red <0-255> Green <0-255> Blue <0-255>
Color Settings	Color Calibration		Follow Menu Correction
	RAW Balance		Off correction
Settings	Protocol	DMX	DMX Mode
		Art-Net	Network Mode
		SACN	Network mode

	Slave	Slave mode	
Ethernet	Art-Net	IP Address 002 -000 -000 -000	
		subnet Mask 255 -000 -000 -000	
		Universe 0-254	
	SACN	Universe Group 0-127	
		Current to DMX ON/Off	
		User to DMX on/off	
	Select Universe 0-254		
Display	Display Flip	<on/off>	Display reversal
	Backlight	<on/off>	Screen off time ON: The screen is on for 60 minutes before the screen is black, but the backlight is always on Off: Black screen for 1 minute
	Auto Lock	<on/off>	Automatic lock screen Settings
Startup Mode	DMX	DMX Mode	Quick start mode selection
	Auto	Auto mode	
	Color Macro	Color macro	
	Quick Color	Manual dimming	
	Tunable White	Variable white light (color temperature)	
	User Color1-5	User color1-5	
DMX Fail	Hold	Hold	Loss of DMX signal
	Blackout	Black Field	
	Emergency Light	Full light 5600K	
Dimmer Curve	Linear		Dimming curve selection
	Exponential		
	Logarithmic		
	S-Curve		
Dimmer Response	LED		Dimming delay
	Medium		
	Halogen		
Color Calibration	Full Calibration		Primary color correction switch
	CCT Calibration		Turn off primary color correction
RAW Balance	RAW		White Balance all 255

	User Calibrated	Red <0-255> Green<0-255> Blue <0-255>	User white balance	
LED Frequency	800 Hz		Frequency setting	
	1200 Hz			
	2000 Hz			
	3600 Hz			
	12000 Hz			
	25000 Hz			
Fan	Auto		Fan Mode selection	
	Silent			
	Fan Off			
	Max. Power			
Invert Swap Mapping	RGB Panel 1	RGB flip -(left and right)	On / Off	
	RGB Panel 2	RGB Flip -(left and right)	On / Off	
	RGB Panel 3	RGB Flip -(left and right)	On / Off	
	Single Tube 1	White light strip flipped - (left and right)	On / Off	
	Single Tube 2	White light strip flipped - (left and right)	On / Off	
	Single Tube 3	White light strip flipped - (left and right)	On / Off	
	Single Tube 4	White light strip flipped - (left and right)	On / Off	
	Swap RGB Panels	RGB inverted - (up and down)	On / Off	
	Swap Single Tubes	White light upside down - (up and down)	On / Off	
Transfer Configuration	Including DMX Address	Yes/No	Transmit native menu Settings to the same type of light (including channel mode) with or without address	
	Without DMX Address	Yes/No		
LED Mode	Illumination		Reduced power output	
	Boost		High power output	
USB Update	Yes		USB updates	
	No			
Factory/ User Reset	Factory Reset	With Add./Mode	factory data reset	
		No Add./Mode	Do not restore	
	User Reset	With Add./Mode	Restore user Settings	
		No Add./Mode	Do not restore	
	User Reset List	DMX Mode		Custom restore user parameter Settings

			Configuration	Without DMX Ad.	
			LED Mode	Illumination	
				Boost	
			USB update	Yes	
				No	
Language (Language)	English Chinese				
Combination lock password	Off on	Password :8888			
System Info	Firmware Version	Display: V1.0A Dimmer: V3.0B Network: V2.01U			Show software version
	Serial Number	202311280001			Show Series number
	RDM UID	0X0991 0000000			Displays RDM code name
	Temperatures	RGB T 000C/000F Single 000C/000F			Display temperature
	Power on Time	Total:x x x x hours			Total power-on time
	LED on Time	RGB T.		000 hours	LED power-on time
		Single .		000 hours	
	Errors	Errors information			Displaying error information
Fan Speed	Fan1	0000 RPM		Show fan speed	
	Fan2	0000 RPM			
Service Menu Hidden Service Menu	Power on Time	Total:x x x x hours			Change the total power-on time
	LED on Time (all)	RGB T.		000 hours	Modify LED lighting time
Single .				000 hours	

Channel	Simple Mode 16CH			Default
1	Master Dimmer	000-255.	Total tone	Total Tone
2	Single Tube (1-4) - Dimmer	000-255.	Four single pipe general adjustment	Four single pipe general adjustment
3	Single Tube (1-4) - Shutter	000-019.	Shutter close	Shutter close
		020-024.	Shutter open	Shutter Open
		025-064.	Strobe 1 (fast → slow)	Strobe 1 (fast → slow)
		065-069.	Shutter open	Shutter Open
		070-084.	Strobe 2: opening pulse (fast → slow)	Strobe 2: Opening pulse (fast → slow)

		085-089.	Shutter open	Shutter Open
		090-104.	Strobe 3: closing pulse (fast → slow)	Strobe 3: Closing pulse (fast → slow)
		105-109.	Shutter open	Shutter Open
		110-124.	Strobe 4: random strobe (fast → slow)	Strobe 4: random strobe
		125-129.	Shutter open	Shutter Open
		130-144	Strobe 5: random opening pulse (fast → slow)	Strobe 5: Random opening pulse (fast → slow)
		145-149	Shutter open	Shutter Open
		150-164	Strobe 6:random closing pulse (fast → slow)	Strobe 6: Random closing pulse (fast → slow)
		165-169	Shutter open	Shutter open
		170-184	Strobe 7: burst pulse (fast → slow)	Strobe 7: Burst pulse (fast → slow)
		185-189	Shutter open	Shutter Open
		190-204	Strobe 8: random burst pulse (fast → slow)	Strobe 8: Random burst pulse (fast → slow)
		205-209	Shutter open	Shutter Open
		210-224	Strobe 9:sine wave (fast → slow)	Strobe 9: Sine wave (fast → slow)
		225-229	Shutter open	Shutter Open
		230-244	Strobe 10: burst (fast → slow)	Strobe 10: Burst (fast → slow)
		245-255	Shutter open	Shutter Open
4	Single Tube (1-4) - Duration	000-255.	only affects to Strobe 1 (025-064)	Stroboscopic Special effects
5	Single Tubes Group (1-4) - Pattern selection	000-005	no function	No function
		006-255.	Four single-tube dynamic mode selection	Four single - Tube dynamic Mode selection
6	Single Tubes (1-4) - Pattern speed	000-005.	No Function	No function
		006-124.	Left to Right / Fast to slow	Left to right/fast to slow
		125-130.	No Function	non-function
		131-249.	Right to Left / Slow to fast	Right to left/Slow to fast
		250-255.	No Function	No function
7	RGB Panels (1+3) - Dimmer	000-255.	RGB panel (1+3) total key	RGB General tone
8	RGB Panels (1+3) - Shutter	000-019	Shutter close	Shutter closing
		020-024	Shutter open	Shutter Open
		025-064	Strobe 1 (fast → slow)	Strobe 1 (fast → slow)
		065-069	Shutter open	Shutter Open
		070-084	Strobe 2: opening pulse (fast → slow)	Strobe 2: Opening pulse (fast → slow)
		085-089	Shutter open	Shutter Open
		090-104	Strobe 3: closing pulse (fast → slow)	Strobe 3: Closing pulse (fast → slow)
		105-109	Shutter open	Shutter Open

		110-124	Strobe 4: random strobe (fast → slow)	Strobe 4: random strobe
		125-129	Shutter open	Shutter Open
		130-144	Strobe 5: random opening pulse (fast → slow)	Strobe 5: Random opening pulse (fast → slow)
		145-149	Shutter open	Shutter Open
		150-164	Strobe 6:random closing pulse (fast → slow)	Strobe 6: Random closing pulse (fast → slow)
		165-169	Shutter open	Shutter Open
		170-184	Strobe 7: burst pulse (fast → slow)	Strobe 7: Burst pulse (fast → slow)
		185-189	Shutter open	Shutter Open
		190-204	Strobe 8: random burst pulse (fast → slow)	Stroboscopic 8: Random burst (fast to slow)
		205-209	Shutter open	Shutter Open
		210-224	Strobe 9:sine wave (fast → slow)	Strobe 9: Sine wave (fast → slow)
		225-229	Shutter open	Shutter Open
		230-244	Strobe 10: burst (fast → slow)	Strobe 10: Burst (fast → slow)
		245-255	Shutter open	Shutter Open
9	RGB Panels (1+3) - Duration	000-255.	only affects to Strobe 1 (025-064)	<u>Stroboscopic Special effects</u>
10	RGB Panels (1+3) - Pattern selection	000-005	no function	No function
		006-128.	Selection of fixed value mode	Selection of fixed Value Mode
		129-175.	Dynamic mode selection	Dynamic Mode Selection
		176-255.	no function	No function
11	RGB Panels (1+3) - Pattern speed	000-005.	No Function	No function
		006-124.	Left to Right / Fast to slow	Left to right/fast to slow
		125-130.	No Function	No function
		131-249.	Right to Left / Slow to fast	From right to left/from slow to fast
		250-255.	No Function	No function
12	RGB Panels (1+3) - Red	000-255.	Red	red
13	RGB Panels (1+3) - Green	000-255.	Green	green
14	RGB Panels (1+3) - Blue	000-255.	Blue	blue
15	RGB Panels (1+3) - CTC	000-004	7000K	Color temperature 7000K
		005-226.	2000K-6500K linear in 20-21K steps (please see detailed CTC chart)	Add 100K color temperature for every 5 DMX values
		182-182.	5600K	Color temperature 5600K
		226-226.	6500K	Color temperature 6500K
		227-255.	6621K-10.000K linear in 120-121K steps (please see detailed CTC chart)	Add 120K color temperature for each DMX value
16	Device Settings (please see remark *1)	000-019.	No function	No function
		020-024.	Display Backlight On (hold 3s)	Display backlight on (hold 3s)
		025-029.	Display Backlight Off (hold 3s)	Display backlight off (hold 3s)

030-034.	No function	No function
035-039.	DMX Fail Blackout (hold 3s)	Black Field
040-044.	DMX Fail Hold (hold 3s)	Hold
045-049.	DMX Fail - Emergency Light (hold 3s)	Full light (only works in color temperature mode)
050-054.	No function	No function
055-059.	Full Calibration (Colors & CCT / hold 3s)	Primary color correction on
060-064.	CCT Calibration (RAW Colors / hold 3s)	Turn off primary colors correction
065-069.	No function	No function
070-074.	LED Frequency 800Hz (hold 3s)	LED frequency 800Hz
075-079.	LED Frequency 1200Hz (hold 3s)	LED frequency 1200Hz
080-084.	LED Frequency 2000Hz (hold 3s)	LED frequency 2000Hz (hold 3s)
085-089.	LED Frequency 3600Hz (hold 3s)	LED frequency 3600Hz
090-094.	LED Frequency 12kHz (hold 3s)	LED frequency 12kHz (hold 3s)
095-099.	LED Frequency 25kHz (hold 3s)	LED frequency 25kHz (hold 3s)
100-104.	No function	No function
105-109.	Fan Auto (hold 3s)	Fan Auto (Hold 3S)
110-114.	Fan Silent (hold 3s)	Fan Silent (hold 3s)
115-119.	Fan Off (hold 3s)	Fan Off (hold 3s)
120-124.	Fan High Power (hold 3s)	Fan High Power (hold 3s)
125-129.	No function	No function
130-134.	Invert RGB Panel 1 Off (hold 1,5s)	Invert RGB panel 1 off (hold 1
135-139.	Invert RGB Panel 1 On (hold 1,5s)	Invert RGB Panel 1 on (hold 1
140-144.	Invert RGB Panel 2 Off (hold 1,5s)	Invert RGB Panel 2 off (hold 1
145-149.	Invert RGB Panel 2 On (hold 1,5s)	Invert RGB Panel 2 on (hold 1, 5 s)
150-154.	Invert RGB Panel 3 Off (hold 1,5s)	Invert RGB panel 3 off (hold 1
155-159.	Invert RGB Panel 3 On (hold 1,5s)	Invert RGB panel 3 on (hold 1, 5 s)
160-164.	Invert Single Tube 1 Off (hold 1,5s)	Invert single tube 1 Off (hold 1 s)
165-169.	Invert Single Tube 1 On (hold 1,5s)	Inverted single tube 1 Open
170-174.	Invert Single Tube 2 Off (hold 1,5s)	Invert single tube 2 off (hold 1 s)
175-179.	Invert Single Tube 2 On (hold 1,5s)	Invert single tube 2 on (hold 1 5 s)
180-184.	Invert Single Tube 3 Off (hold 1,5s)	Invert single tube 3 off (hold 1, 5 s)
185-189.	Invert Single Tube 3 On (hold 1,5s)	Invert single tube 3 on (hold 1 5 s)
190-194.	Invert Single Tube 4 Off (hold 1,5s)	Invert single tube 4 off (hold 1 5 s)

		195-199.	Invert Single Tube 4 On (hold 1,5s)	Invert single tube 4 on (hold 1 5 s)
		200-204.	Swap RGB Panels Off (hold 1,5s)	Swap RGB panels off
		205-209.	Swap RGB Panels On (hold 1,5s)	Swap RGB panels on
		210-214.	Swap Single Tubes Off (hold 1,5s)	Swap single tubes off
		215-219.	Swap Single Tubes On (hold 1,5s)	Swap single tubes on (hold 1
		220-224.	No function	No function
		225-229.	LED Mode - Illumination (hold 1,5s)	Reduced power mode
		230-234.	LED Mode-Boost (hold 1,5s)	High power mode
		235-239.	No function	No function
		240-244.	Factory Reset (hold 3s)	Factory reset (Hold 3s)
		245-249.	User Reset (hold 3s)	User reset
		250-255.	No function	No function

Channel	Easy Mode 30 Ch			Default
1	Master Dimmer	000-255.	Total tone	Total Tone
2	Single Tubes (1-4) - Dimmer	000-255.	Four single pipe general adjustment	Four single pipe key
3	Single Tubes (1-4) - Shutter	000-019	Shutter close	Shutter close
		020-024	Shutter open	Shutter Open
		025-064	Strobe 1 (fast → slow)	Strobe 1 (fast → slow)
		065-069	Shutter open	Shutter Open
		070-084	Strobe 2: opening pulse (fast → slow)	Strobe 2: Opening pulse (fast → slow)
		085-089	Shutter open	Shutter Open
		090-104	Strobe 3: closing pulse (fast → slow)	Strobe 3: Closing pulse (fast → slow)
		105-109	Shutter open	Shutter Open
		110-124	Strobe 4: random strobe (fast → slow)	Strobe 4: random strobe
		125-129	Shutter open	Shutter open
		130-144	Strobe 5: random opening pulse (fast → slow)	Strobe 5: Random opening pulse (fast → slow)
		145-149	Shutter open	Shutter Open
		150-164	Strobe 6: random closing pulse (fast → slow)	Strobe 6: Random closing pulse (fast → slow)
		165-169	Shutter open	Shutter Open
		170-184	Strobe 7: burst pulse (fast → slow)	Strobe 7: Burst pulse (fast → slow)
		185-189	Shutter open	Shutter Open
		190-204	Strobe 8: random burst pulse (fast → slow)	Strobe 8: Random burst pulse (fast → slow)
205-209	Shutter open	Shutter Open		
210-224	Strobe 9: sine wave (fast → slow)	Strobe 9: Sine wave (fast → slow)		
225-229	Shutter open	Shutter Open		

		230-244	Strobe 10: burst (fast → slow)	Strobe 10: Burst (fast → slow)
		245-255	Shutter open	Shutter Open
4	Single Tubes (1-4) - Duration	000-255.	only affects to Strobe 1 (025-064)	Stroboscopic Special effects
5	Single Tubes (1-4) - Pattern Dimmer	000-255.	Four single pipe flow general adjustment	Four single pipe flow general adjustment
6	Single Tubes (1-4) - Pattern selection	000-005	no function	No function
		006-255.	according to Tube Pattern Chart	Four single tube setting patterns to choose from
7	Single Tubes (1-4) - Pattern Selection X-fade	000-005	no function	No function
		006-255.	1s - 250s (1s steps)	Time for the first mode to switch to the next mode
8	Single Tubes Group (1-4) - Pattern selection	000-005	no function	No function
		006-255.	Four single-tube dynamic mode selection	Four single - Tube dynamic Mode selection
9	Single Tubes Group (1-4) - Pattern Selection X-fade	000-005	no function	No function
		006-255.	1s - 250s (1s steps)	Time for the first mode to switch to the next mode
10	Single Tubes (1-4) - Pattern speed	000-005.	No Function	No function
		006-124.	Left to Right / Fast to slow	Left to right/fast to slow
		125-130.	No Function	No function
		131-249.	Right to Left / Slow to fast	Right to left/Slow to fast
		250-255.	No Function	No function
11	Single Tubes (1-4) - Pattern X-fade	000-005.	Snap from cell to cell	Snap from cell to cell
		006-255.	Fade Duration short to long	Fade duration short to long
12	Single Tubes (1-4) - Pattern Space	000-041.	1-Segment Spaces	1 - Segment Spaces
		042-084.	2-Segment Spaces	2 - Segment Spaces
		085-127.	3-Segment Spaces	3 - Segment Spaces
		128-170.	4-Segment Spaces	4 - Segment Spaces
		171-213.	5-Segment Spaces	5 - Segment Spaces
		214-255.	6-Segment Spaces	6 - Segment Spaces
13	RGB Panels (1+3) Dimmer	000-255.	Total RGB adjustment	RGB general tone
14	RGB Panels (1+3) - Shutter	000-019	Shutter close	Shutter close
		020-024	Shutter open	Shutter Open
		025-064	Strobe 1 (fast → slow)	Strobe 1 (fast → slow)
		065-069	Shutter open	Shutter Open
		070-084	Strobe 2: opening pulse (fast → slow)	Strobe 2: Opening pulse (fast → slow)
		085-089	Shutter open	Shutter Open
		090-104	Strobe 3: closing pulse (fast → slow)	Strobe 3: Closing pulse (fast → slow)
		105-109	Shutter open	Shutter Open
		110-124	Strobe 4: random strobe (fast → slow)	Strobe 4: random strobe
		125-129	Shutter open	Shutter open

		130-144	Strobe 5: random opening pulse (fast → slow)	Strobe 5: Random opening pulse (fast → slow)
		145-149	Shutter open	Shutter Open
		150-164	Strobe 6: random closing pulse (fast → slow)	Strobe 6: Random closing pulse (fast → slow)
		165-169	Shutter open	Shutter Open
		170-184	Strobe 7: burst pulse (fast → slow)	Strobe 7: Burst pulse (fast → slow)
		185-189	Shutter open	Shutter Open
		190-204	Strobe 8: random burst pulse (fast → slow)	Strobe 8: Random burst pulse (fast → slow)
		205-209	Shutter open	Shutter Open
		210-224	Strobe 9: sine wave (fast → slow)	Strobe 9: Sine wave (fast → slow)
		225-229	Shutter open	Shutter Open
		230-244	Strobe 10: burst (fast → slow)	Strobe 10: Burst (fast → slow)
		245-255	Shutter open	Shutter Open
15	RGB Panels (1+3) - Duration	000-255.	only affects to Strobe 1 (025-064)	Stroboscopic Special effects
16	RGB Panels (1+3) - Red	000-255.	RGB1+3 Color selection	red
17	RGB Panels (1+3) - Green	000-255.	RGB1+3 Color selection	green
18	RGB Panels (1+3) - Blue	000-255.	RGB1+3 color selection	blue
19	RGB Panels (1+3) - CTC	000-004	7000K	Color temperature 7000K
		005-226.	2000K-6500K linear in 20-21K steps (please see detailed CTC chart)	Add 100K color temperature for every 5 DMX values
		182-182.	5600K	Color temperature 5600K
		226-226.	6500K	Color temperature 6500K
		227-255.	6621K-10.000K linear in 120-121K steps (please see detailed CTC chart)	Add 120K color temperature for each DMX value
20	RGB Panels (1+3) - Pattern Dimmer	000-255.	Total value of RGB	RGB fixed value total tone
21	RGB Panels (1+3) - Pattern selection	000-005	no function	No function
		006-082.	Selection of fixed value mode	Selection of fixed Value Mode
		083-128.	continue to have	Keep
		129-175.	Dynamic mode selection	Dynamic Mode Selection
		176-255.	no function	No function
22	RGB Panels (1+3) - Pattern selection X-fade	000-005	no function	No function
		006-255.	1s - 250s (1s steps)	The time the first mode switches to the next mode
23	RGB Panels (1+3) - Pattern speed	000-005.	No Function	No function
		006-124.	Left to Right / Fast to slow	Left to right/fast to slow
		125-130.	No Function	No function
		131-249.	Right to Left / Slow to fast	Right to left/Slow to fast
		250-255.	No Function	No function

24	RGB Panels (1+3) - Pattern X-fade	000-005.	Snap from cell to cell	Snap from cell to cell
		006-255.	Fade Duration short to long	Fade duration short to long
25	RGB Panels (1+3) - Pattern Space	000-041.	1-Segment Space	1 - Segment space
		042-084.	2-Segment Spaces	2 - Segment Spaces
		085-127.	3-Segment Spaces	3 - Segment Spaces
		128-170.	4-Segment Spaces	4 - Segment Spaces
		171-213.	5-Segment Spaces	5 - Segment Spaces
		214-255.	6-Segment Spaces	6 - Segment Spaces
26	RGB Panel (1+3) - Pattern Red	000-255.	RGB1+3 Background light red	red
27	RGB Panel (1+3) - Pattern Green	000-255.	RGB1+3 Background light green	green
28	RGB Panel (1+3) - Pattern Blue	000-255.	RGB1+3 Background light blue	blue
29	RGB Panels (1+3) - Pattern CTC	000-004	7000K	Color temperature 7000K
		005-226.	2000K-6500K linear in 20-21K steps (please see detailed CTC chart)	Add 100K color temperature for every 5 DMX values
		182-182.	5600K	Color temperature 5600K
		226-226.	6500K	Color temperature 6500K
		227-255.	6621K-10.000K linear in 120-121K steps (please see detailed CTC chart)	Add 120K color temperature for each DMX value
30	Device Settings (please see remark *1)	000-005	No function	No function
		006-010.	Display Backlight On (hold 3s)	Display backlight on (hold 3s)
		011-015.	Display Backlight Off (hold 3s)	Display backlight off (hold 3s)
		016-018.	No function	No function
		019-023.	DMX Fail Blackout (hold 3s)	Black Field
		024-028.	DMX Fail Hold (hold 3s)	Hold
		029-033.	DMX Fail - Emergency Light (hold 3s)	Full light (only works in color temperature mode)
		034-036.	No function	No function
		037-041.	Linear Dimmer Curve (hold 1,5s)	Linear dimmer curve (Hold)
		042-046.	Exponential Dimmer Curve (hold 1,5s)	Exponential dimmer curve
		047-051.	Logarithmic Dimmer Curve (hold 1,5s)	Logarithmic curve
		052-056.	S-curve Dimmer Curve (hold 1,5s)	S-curve (hold 1, 5)
		057-061.	No function	No function
		062-066.	LED (Fast) Dimmer Response (hold 1,5s)	No delay
		067-071.	Medium Dimmer Response (hold 1,5s)	Medium dimmer response delay
		072-076.	Halogen(Slow) Dimmer Response (hold 1,5s)	Halogen dimmer Response
		077-080.	No function	No function
		081-085.	Full Calibration (Colors & CCT / hold 3s)	Primary color correction on
		086-090.	CCT Calibration (RAW Colors / hold 3s)	Turn off primary colors correction
		091-093.	No function	No function
094-098.	LED Frequency 800Hz (hold 3s)	LED frequency 800Hz		

	099-103.	LED Frequency 1200Hz (hold 3s)	LED frequency 1200Hz
	104-108.	LED Frequency 2000Hz (hold 3s)	LED frequency 2000Hz (hold 3s)
	109-113.	LED Frequency 3600Hz (hold 3s)	LED frequency 3600Hz
	114-118.	LED Frequency 12kHz (hold 3s)	LED frequency 12kHz (hold 3s)
	119-123.	LED Frequency 25kHz (hold 3s)	LED frequency 25kHz (hold 3s)
	124-126.	No function	non-function
	127-131.	Fan Auto (hold 3s)	Fan Auto (Hold 3S)
	132-136.	Fan Silent (hold 3s)	Fan Silent (hold 3s)
	137-141.	Fan Off (hold 3s)	Fan Off (hold 3s)
	142-146.	Fan High Power (hold 3s)	Fan High Power (hold 3s)
	147-149.	No function	No function
	150-153.	Invert RGB Panel 1 Off (hold 1,5s)	Invert RGB Panel 1 Off
	154-157.	Invert RGB Panel 1 On (hold 1,5s)	Invert RGB Panel 1 On (hold 1)
	158-161.	Invert RGB Panel 2 Off (hold 1,5s)	Invert RGB Panel 2 off
	162-165.	Invert RGB Panel 2 On (hold 1,5s)	Invert RGB Panel 2 on (hold 1, 5 s)
	166-169.	Invert RGB Panel 3 Off (hold 1,5s)	Invert RGB Panel 3 off
	170-173.	Invert RGB Panel 3 On (hold 1,5s)	Invert RGB Panel 3 on (hold 1, 5 s)
	174-177.	Invert Single Tube 1 Off (hold 1,5s)	Invert single tube 1 Off (hold 1 s)
	178-181.	Invert Single Tube 1 On (hold 1,5s)	Invert single tube 1 On (hold 1 s)
	182-185.	Invert Single Tube 2 Off (hold 1,5s)	Invert single tube 2 off (hold 1 s)
	186-189.	Invert Single Tube 2 On (hold 1,5s)	Invert single tube 2 on (hold 1 5 s)
	190-193.	Invert Single Tube 3 Off (hold 1,5s)	Inverted single tube 3 close
	194-197.	Invert Single Tube 3 On (hold 1,5s)	Invert single tube 3 on (hold 1 5 s)
	198-201.	Invert Single Tube 4 Off (hold 1,5s)	Invert single tube 4 off (hold 1 5 s)
	202-205.	Invert Single Tube 4 On (hold 1,5s)	Invert single tube 4 on (hold 1 5 s)
	206-209.	Swap RGB Panels Off (hold 1,5s)	Swap RGB panels off
	210-213.	Swap RGB Panels On (hold 1,5s)	Swap RGB panels on
	214-217.	Swap Single Tubes Off (hold 1,5s)	Swap single tubes off
	218-221.	Swap Single Tubes On (hold 1,5s)	Swap single tubes on (hold 1
	222-224.	No function	No function
	225-229.	LED Mode - Illumination (hold 1,5s)	Low power mode
	230-234.	LED Mode-Boost (hold 1,5s)	High power mode
	235-237.	No function	No function

		238-242.	Factory Reset (hold 3s)	Factory reset (Hold 3s)
		243-247.	User Reset (hold 3s)	User reset (hold 3s)
		248-255.	No function	No function

Channel	Standard Mode 62 Ch			Default
1	Master Dimmer	000-255.	Total tone	Total Tone
2	Single Tube 1 - Dimmer	000-255.	One tube and one dimming	One tube and one dimming total
3	Single Tube 1 - Shutter	000-019	Shutter close	Shutter close
		020-024	Shutter open	Shutter Open
		025-064	Strobe 1 (fast → slow)	Strobe 1 (fast → slow)
		065-069	Shutter open	Shutter Open
		070-084	Strobe 2: opening pulse (fast → slow)	Strobe 2: Opening pulse (fast → slow)
		085-089	Shutter open	Shutter Open
		090-104	Strobe 3: closing pulse (fast → slow)	Strobe 3: Closing pulse (fast → slow)
		105-109	Shutter open	Shutter Open
		110-124	Strobe 4: random strobe (fast → slow)	Strobe 4: random strobe
		125-129	Shutter open	Shutter Open
		130-144	Strobe 5: random opening pulse (fast → slow)	Strobe 5: Random opening pulse (fast → slow)
		145-149	Shutter open	Shutter Open
		150-164	Strobe 6: random closing pulse (fast → slow)	Strobe 6: Random closing pulse (fast → slow)
		165-169	Shutter open	Shutter open
		170-184	Strobe 7: burst pulse (fast → slow)	Strobe 7: Burst pulse (fast → slow)
		185-189	Shutter open	Shutter Open
		190-204	Strobe 8: random burst pulse (fast → slow)	Strobe 8: Random burst pulse (fast → slow)
		205-209	Shutter open	Shutter Open
		210-224	Strobe 9: sine wave (fast → slow)	Strobe 9: Sine wave (fast → slow)
		225-229	Shutter open	Shutter Open
230-244	Strobe 10: burst (fast → slow)	Strobe 10: Burst (fast → slow)		
245-255	Shutter open	Shutter Open		
4	Single Tube 1 - Duration	000-255.	only affects to Strobe 1 (025-064)	Stroboscopic Special effects
5	Single Tube 1 - Pattern Dimmer	000-005.	No Function	No function
		006-255.	Single tube one pattern	Single tube one pattern
6	Single Tube 1 - Pattern selection	000-005.	No Function	No function
		006-255.	according to Tube Pattern Chart	Single tube fixed value pattern selection

7	Single Tube 1 - Pattern selection X-fade	000-005	no function	No function
		006-255.	1s - 250s (1s steps)	Time for the first mode to switch to the next mode
8	Single Tube 1 - Pattern speed	000-005.	No Function	No function
		006-124.	Left to Right / Fast to slow	Left to right/fast to slow
		125-130.	No Function	non-function
		131-249.	Right to Left / Slow to fast	Right to left/Slow to fast
		250-255.	No Function	No function
9	Single Tube 1 - Pattern X-fade	000-005.	Snap from cell to cell	Snap from cell to cell
		006-255.	Fade Duration short to long	Fade duration short to long
10	Single Tube 1 - Pattern Space	000-041.	1-Segment Space	1 - Segment space
		042-084.	2-Segment Spaces	2 - Segment Spaces
		085-127.	3-Segment Spaces	3 - Segment Spaces
		128-170.	4-Segment Spaces	4 - Segment Spaces
		171-213.	5-Segment Spaces	5 - Segment Spaces
		214-255.	6-Segment Spaces	6 - Segment Spaces
11	Single Tube 2 - Dimmer	000-255.	Single tube and two dimming	Single tube and two dimming total
12	Single Tube 2 - Shutter	000-019	Shutter close	Shutter close
		020-024	Shutter open	Shutter Open
		025-064	Strobe 1 (fast → slow)	Strobe 1 (fast → slow)
		065-069	Shutter open	Shutter Open
		070-084	Strobe 2: opening pulse (fast → slow)	Strobe 2: Opening pulse (fast → slow)
		085-089	Shutter open	Shutter Open
		090-104	Strobe 3: closing pulse (fast → slow)	Strobe 3: Closing pulse (fast → slow)
		105-109	Shutter open	Shutter Open
		110-124	Strobe 4: random strobe (fast → slow)	Strobe 4: random strobe
		125-129	Shutter open	Shutter Open
		130-144	Strobe 5: random opening pulse (fast → slow)	Strobe 5: Random opening pulse (fast → slow)
		145-149	Shutter open	Shutter Open
		150-164	Strobe 6: random closing pulse (fast → slow)	Stroboscopic 6: Random off pulse (fast to slow)
		165-169	Shutter open	Shutter Open
		170-184	Strobe 7: burst pulse (fast → slow)	Strobe 7: Burst pulse (fast → slow)
		185-189	Shutter open	Shutter Open
		190-204	Strobe 8: random burst pulse (fast → slow)	Strobe 8: Random burst pulse (fast → slow)
		205-209	Shutter open	Shutter Open
210-224	Strobe 9: sine wave (fast → slow)	Strobe 9: Sine wave (fast → slow)		
225-229	Shutter open	Shutter Open		

		230-244	Strobe 10: burst (fast → slow)	Strobe 10: Burst (fast → slow)
		245-255	Shutter open	Shutter Open
13	Single Tube 2 - Duration	000-255.	only affects to Strobe 1 (025-064)	Stroboscopic special effects
14	Single Tube 2 - Pattern	000-005.	No Function	No function
14	Dimmer	006-255.	Single tube two pattern	Single tube two pattern
15	Single Tube 2 - Pattern selection	000-005.	No Function	No function
		006-255.	according to Tube Pattern Chart	Single tube binary pattern selection
16	Single Tube 2 - Pattern selection X-fade	000-005	no function	No function
		006-255.	1s - 250s (1s steps)	Time for the first mode to switch to the next mode
17	Single Tube 2 - Pattern speed	000-005.	No Function	No function
		006-124.	Left to Right / Fast to slow	Left to right/fast to slow
		125-130.	No Function	No function
		131-249.	Right to Left / Slow to fast	Right to left/Slow to fast
		250-255.	No Function	No function
18	Single Tube 2 - Pattern X-fade	000-005.	Snap from cell to cell	Snap from cell to cell
		006-255.	Fade Duration short to long	Fade duration short to long
19	Single Tube 2 - Pattern Space	000-041.	1-Segment Space	1 - Segment space
		042-084.	2-Segment Spaces	2 - Segment Spaces
		085-127.	3-Segment Spaces	3 - Segment Spaces
		128-170.	4-Segment Spaces	4-segment space
		171-213.	5-Segment Spaces	5 - Segment Spaces
		214-255.	6-Segment Spaces	6 - Segment Spaces
20	Single Tube 3 - Dimmer	000-255.	Single tube three dimming	Single tube three dimming total
21	Single Tube 3 - Shutter	000-019	Shutter close	Shutter closing
		020-024	Shutter open	Shutter Open
		025-064	Strobe 1 (fast → slow)	Strobe 1 (fast → slow)
		065-069	Shutter open	Shutter Open
		070-084	Strobe 2: opening pulse (fast → slow)	Strobe 2: Opening pulse (fast → slow)
		085-089	Shutter open	Shutter Open
		090-104	Strobe 3: closing pulse (fast → slow)	Strobe 3: Closing pulse (fast → slow)
		105-109	Shutter open	Shutter Open
		110-124	Strobe 4: random strobe (fast → slow)	Strobe 4: random strobe
		125-129	Shutter open	Shutter Open
		130-144	Strobe 5: random opening pulse (fast → slow)	Strobe 5: Random opening pulse (fast → slow)
		145-149	Shutter open	Shutter Open
		150-164	Strobe 6: random closing pulse (fast → slow)	Strobe 6: Random closing pulse (fast → slow)
		165-169	Shutter open	Shutter Open

		170-184	Strobe 7: burst pulse (fast → slow)	Strobe 7: Burst pulse (fast → slow)
		185-189	Shutter open	Shutter Open
		190-204	Strobe 8: random burst pulse (fast → slow)	Stroboscopic 8: Random burst (fast to slow)
		205-209	Shutter open	Shutter Open
		210-224	Strobe 9:sine wave (fast → slow)	Strobe 9: Sine wave (fast → slow)
		225-229	Shutter open	Shutter Open
		230-244	Strobe 10: burst (fast → slow)	Strobe 10: Burst (fast → slow)
		245-255	Shutter open	Shutter Open
22	Single Tube 3 - Duration	000-255.	only affects to Strobe 1 (025-064)	Stroboscopic Special effects
23	Single Tube 3 - Pattern	000-255.		
23	Dimmer		Single tube three patterns	Single tube three patterns
24	Single Tube 3 - Pattern selection	000-005.	No Function	No function
		006-255.	according to Tube Pattern Chart	Single tube triple fixed pattern selection
25	Single Tube 3 - Pattern selection X-fade	000-005	no function	No function
		006-255.	1s - 250s (1s steps)	The time the first mode switches to the next mode
26	Single Tube 3 - Pattern speed	000-005.	No Function	No function
		006-124.	Left to Right / Fast to slow	Left to right/fast to slow
		125-130.	No Function	No function
		131-249.	Right to Left / Slow to fast	Right to left/Slow to fast
		250-255.	No Function	No function
27	Single Tube 3 - Pattern X-fade	000-005.	Snap from cell to cell	Snap from cell to cell
		006-255.	Fade Duration short to long	Fade duration short to long
28	Single Tube 3 - Pattern Space	000-041.	1-Segment Space	1 - Segment space
		042-084.	2-Segment Spaces	2 - Segment Spaces
		085-127.	3-Segment Spaces	3 - Segment Spaces
		128-170.	4-Segment Spaces	4 - Segment Spaces
		171-213.	5-Segment Spaces	5 - Segment Spaces
		214-255.	6-Segment Spaces	6 - Segment Spaces
29	Single Tube 4 - Dimmer	000-255.	Single tube four dimming	Single tube four dimming total
30	Single Tube 4 - Shutter	000-019	Shutter close	Shutter close
		020-024	Shutter open	Shutter Open
		025-064	Strobe 1 (fast → slow)	Strobe 1 (fast → slow)
		065-069	Shutter open	Shutter open
		070-084	Strobe 2: opening pulse (fast → slow)	Strobe 2: Opening pulse (fast → slow)
		085-089	Shutter open	Shutter Open
		090-104	Strobe 3: closing pulse (fast → slow)	Strobe 3: Closing pulse (fast → slow)
		105-109	Shutter open	Shutter Open
		110-124	Strobe 4: random strobe (fast → slow)	Strobe 4: random strobe

		125-129	Shutter open	Shutter Open
		130-144	Strobe 5: random opening pulse (fast → slow)	Strobe 5: Random opening pulse (fast → slow)
		145-149	Shutter open	Shutter Open
		150-164	Strobe 6: random closing pulse (fast → slow)	Strobe 6: Random closing pulse (fast → slow)
		165-169	Shutter open	Shutter Open
		170-184	Strobe 7: burst pulse (fast → slow)	Strobe 7: Burst pulse (fast → slow)
		185-189	Shutter open	Shutter Open
		190-204	Strobe 8: random burst pulse (fast → slow)	Strobe 8: Random burst pulse (fast → slow)
		205-209	Shutter open	Shutter Open
		210-224	Strobe 9: sine wave (fast → slow)	Strobe 9: Sine wave (fast → slow)
		225-229	Shutter open	Shutter open
		230-244	Strobe 10: burst (fast → slow)	Strobe 10: Burst (fast → slow)
		245-255	Shutter open	Shutter Open
31	Single Tube 4 - Duration	000-255.	only affects to Strobe 1 (025-064)	Stroboscopic Special effects
32	Single Tube 4 - Pattern Dimmer	006-255.	0-100%	Single tube four pattern total
33	Single Tube 4 - Pattern selection	000-005.	No Function	No function
		006-255.	according to Tube Pattern Chart	Single tube four fixed pattern selection
34	Single Tube 4 - Pattern selection X-fade	000-005	no function	No function
		006-255.	1s - 250s (1s steps)	The time the first mode switches to the next mode
35	Single Tube 4 - Pattern speed	000-005.	No Function	No function
		006-124.	Left to Right / Fast to slow	Left to right/fast to slow
		125-130.	No Function	No function
		131-249.	Right to Left / Slow to fast	Right to left/Slow to fast
		250-255.	No Function	No function
36	Single Tube 4 - Pattern X-fade	000-005.	Snap from cell to cell	Snap from cell to cell
		006-255.	Fade Duration short to long	Fade duration short to long
37	Single Tube 4 - Pattern Space	000-041.	1-Segment Space	1 - Segment space
		042-084.	2-Segment Spaces	2 - Segment Spaces
		085-127.	3-Segment Spaces	3 - Segment Spaces
		128-170.	4-Segment Spaces	4 - Segment Spaces
		171-213.	5-Segment Spaces	5 - Segment Spaces
		214-255.	6-Segment Spaces	6 - Segment Spaces
38	Single Tube Group (1-4) - Pattern Dimmer	000-255.	Single tube self walk 1-4 self walk	Single tube self walk 1-4 Self walk total
39	Single Tube Group (1-4) - Pattern selection	000-005	no function	No function
		006-255.	Single-tube self-walk 1-4 mode selection	Single - Tube self - walk 1-4 mode selection

40	Single Tube Group (1-4) - Pattern selection X-fade	000-005	no function	No function
		006-255.	1s - 250s (1s steps)	Time for the first mode to switch to the next mode
41	Single Tube Group (1-4) - Pattern speed	000-005.	No Function	No function
		006-124.	Left to Right / Fast to slow	Left to right/fast to slow
		125-130.	No Function	No function
		131-249.	Right to Left / Slow to fast	From right to left/from slow to fast
		250-255.	No Function	No function
42	Single Tube Group (1-4) - Pattern X-fade	000-005.	Snap from cell to cell	Snap from cell to cell
		006-255.	Fade Duration short to long	Fade duration short to long
43	Single Tube Group (1-4) - Pattern Space	000-041.	1-Segment Space	1-segment space
		042-084.	2-Segment Spaces	2 - Segment Spaces
		085-127.	3-Segment Spaces	3 - Segment Spaces
		128-170.	4-Segment Spaces	4 - Segment Spaces
		171-213.	5-Segment Spaces	5 - Segment Spaces
		214-255.	6-Segment Spaces	6 - Segment Spaces
44	RGB Panel (1+3) - Dimmer	000-255.	RGB of light board dimming	RGB Dimming
45	RGB Panel (1+3) - Shutter	000-019	Shutter close	Shutter close
		020-024	Shutter open	Shutter Open
		025-064	Strobe 1 (fast → slow)	Strobe 1 (fast → slow)
		065-069	Shutter open	Shutter Open
		070-084	Strobe 2: opening pulse (fast → slow)	Strobe 2: Opening pulse (fast → slow)
		085-089	Shutter open	Shutter Open
		090-104	Strobe 3: closing pulse (fast → slow)	Strobe 3: Closing pulse (fast → slow)
		105-109	Shutter open	Shutter Open
		110-124	Strobe 4: random strobe (fast → slow)	Strobe 4: random strobe
		125-129	Shutter open	Shutter Open
		130-144	Strobe 5: random opening pulse (fast → slow)	Strobe 5: Random opening pulse (fast → slow)
		145-149	Shutter open	Shutter Open
		150-164	Strobe 6: random closing pulse (fast → slow)	Strobe 6: Random closing pulse (fast → slow)
		165-169	Shutter open	Shutter open
		170-184	Strobe 7: burst pulse (fast → slow)	Strobe 7: Burst pulse (fast → slow)
		185-189	Shutter open	Shutter Open
		190-204	Strobe 8: random burst pulse (fast → slow)	Strobe 8: Random burst pulse (fast → slow)
205-209	Shutter open	Shutter Open		
210-224	Strobe 9: sine wave (fast → slow)	Strobe 9: Sine wave (fast → slow)		

		225-229	Shutter open	Shutter Open
		230-244	Strobe 10: burst (fast → slow)	Strobe 10: Burst (fast → slow)
		245-255	Shutter open	Shutter Open
46	RGB Panel (1+3) - Duration	000-255.	only affects to Strobe 1 (025-064)	Stroboscopic Special effects
47	RGB Panel (1+3) - Red	000-255.	RGB1+3 Color selection	red
48	RGB Panel (1+3) - Green	000-255.	RGB1+3 Color selection	green
49	RGB Panel (1+3) - Blue	000-255.	RGB1+3 Color selection	blue
50	RGB Panel (1+3) - CTC	000-004	7000K	Color temperature 7000K
		005-226.	2000K-6500K linear in 20-21K steps (please see detailed CTC chart)	Add 100K color temperature for every 5 DMX values
		182-182.	5600K	Color temperature 5600K
		226-226.	6500K	Color temperature 6500K
		227-255.	6621K-10.000K linear in 120-121K steps (please see detailed CTC chart)	Add 120K color temperature for each DMX value
51	RGB Panel (1+3) - Color Macros	000-255.	0-100%	Color macros
52	RGB Panel (1+3) - Color Macro X-fade	000-005	no function	No function
		006-105.	0,1 s-10s (0,1s steps)	0.1 s -10 s
		106-214.	11s - 119s (1s steps)	11s - 119s
		215-244.	2m - 4m50s (10s steps)	2m - 450m (10s Steps)
		245-255.	5m - 15m (1m steps)	5m - 15m (1m steps)
53	RGB Panel (1+3) - Pattern Dimmer	000-255.	0-100%	RGB pattern total tone
54	RGB Panel (1+3) - Pattern selection	000-005.	no function	No function
		006-082.	Selection of fixed value mode	RGB fixed Value Mode selection
		083-128.	continue to have	Keep
		129-175.	Dynamic mode selection	RGB Dynamic Mode Selection
		176-255.	no function	No function
55	RGB Panels (1+3) - Pattern selection X-fade	000-005	no function	non-function
		006-255.	1s - 250s (1s steps)	Time for the first mode to switch to the next mode
56	RGB Panel (1+3) - Pattern speed	000-005.	No Function	No function
		006-124.	Left to Right / Fast to slow	Left to right/fast to slow
		125-130.	No Function	No function
		131-249.	Right to Left / Slow to fast	Right to left/Slow to fast
		250-255.	No Function	No function
57	RGB Panel (1+3) - Pattern X-fade	000-005.	Snap from cell to cell	Snap from cell to cell
		006-255.	Fade Duration short to long	Fade duration short to long
58	RGB Panel (1+3) - Pattern Space	000-041.	1-Segment Space	1 - Segment space
		042-084.	2-Segment Spaces	2 - Segment Spaces
		085-127.	3-Segment Spaces	3 - Segment Spaces
		128-170.	4-Segment Spaces	4 - Segment Spaces
		171-213.	5-Segment Spaces	5 - Segment Spaces

		214-255.	6-Segment Spaces	6-segment space
59	RGB Panel (1+3) - Pattern Red	000-255.	RGB1+3 Pattern color selection	red
60	RGB Panel (1+3) - Pattern Green	000-255.	RGB1+3 Pattern color selection	green
61	RGB Panel (1+3) - Pattern Blue	000-255.	RGB1+3 Pattern color selection	blue
62	Device Settings (please see remark *1)	000-005	No function	No function
		006-010.	Display Backlight On (hold 3s)	Display backlight on (hold 3s)
		011-015.	Display Backlight Off (hold 3s)	Display backlight off (hold 3s)
		016-018.	No function	No function
		019-023.	DMX Fail Blackout (hold 3s)	Black field
		024-028.	DMX Fail Hold (hold 3s)	Hold
		029-033.	DMX Fail - Emergency Light (hold 3s)	Full light (only works in color temperature mode)
		034-036.	No function	No function
		037-041.	Linear Dimmer Curve (hold 1,5s)	Linear dimmer curve (Hold)
		042-046.	Exponential Dimmer Curve (hold 1,5s)	Exponential dimmer curve
		047-051.	Logarithmic Dimmer Curve (hold 1,5s)	Logarithmic dimmer curve
		052-056.	S-curve Dimmer Curve (hold 1,5s)	S-curve (hold 1, 5)
		057-061.	No function	No function
		062-066.	LED (Fast) Dimmer Response (hold 1,5s)	No delay
		067-071.	Medium Dimmer Response (hold 1,5s)	Medium dimmer response delay
		072-076.	Halogen(Slow) Dimmer Response (hold 1,5s)	Halogen dimmer Response
		077-080.	No function	No function
		081-085.	Full Calibration (Colors & CCT / hold 3s)	Primary color correction on
		086-090.	CCT Calibration (RAW Colors / hold 3s)	Turn off primary colors correction
		091-093.	No function	No function
		094-098.	LED Frequency 800Hz (hold 3s)	LED frequency 800Hz
		099-103.	LED Frequency 1200Hz (hold 3s)	LED frequency 1200Hz
		104-108.	LED Frequency 2000Hz (hold 3s)	LED frequency 2000Hz (hold 3s)
		109-113.	LED Frequency 3600Hz (hold 3s)	LED frequency 3600Hz
		114-118.	LED Frequency 12kHz (hold 3s)	LED frequency 12kHz (hold 3s)
		119-123.	LED Frequency 25kHz (hold 3s)	LED frequency 25kHz (hold 3s)
		124-126.	No function	No function
		127-131.	Fan Auto (hold 3s)	Fan Auto (Hold 3S)
		132-136.	Fan Silent (hold 3s)	Fan Silent (hold 3s)
		137-141.	Fan Off (hold 3s)	Fan Off (hold 3s)
142-146.	Fan High Power (hold 3s)	Fan High Power (hold 3s)		
147-149.	No function	No function		

		150-153.	Invert RGB Panel 1 Off (hold 1,5s)	Invert RGB Panel 1 Off
		154-157.	Invert RGB Panel 1 On (hold 1,5s)	Invert RGB Panel 1 On (hold 1
		158-161.	Invert RGB Panel 2 Off (hold 1,5s)	Invert RGB Panel 2 off
		162-165.	Invert RGB Panel 2 On (hold 1,5s)	Invert RGB Panel 2 on (hold 1, 5 s
		166-169.	Invert RGB Panel 3 Off (hold 1,5s)	Invert RGB panel 3 off
		170-173.	Invert RGB Panel 3 On (hold 1,5s)	Invert RGB Panel 3 on (hold 1, 5 s
		174-177.	Invert Single Tube 1 Off (hold 1,5s)	Invert single tube 1 Off (hold 1 s)
		178-181.	Invert Single Tube 1 On (hold 1,5s)	Invert single tube 1 On (hold 1 s)
		182-185.	Invert Single Tube 2 Off (hold 1,5s)	Invert single tube 2 off (hold 1 s)
		186-189.	Invert Single Tube 2 On (hold 1,5s)	Invert single tube 2 on (hold 1 5 s)
		190-193.	Invert Single Tube 3 Off (hold 1,5s)	Invert single tube 3 off (hold 1, 5 s)
		194-197.	Invert Single Tube 3 On (hold 1,5s)	Invert single tube 3 on (hold 1 5 s)
		198-201.	Invert Single Tube 4 Off (hold 1,5s)	Invert single tube 4 off (hold 1 5 s)
		202-205.	Invert Single Tube 4 On (hold 1,5s)	Invert single tube 4 on (hold 1 5 s)
		206-209.	Swap RGB Panels Off (hold 1,5s)	Swap RGB panels off
		210-213.	Swap RGB Panels On (hold 1,5s)	Swap RGB panels on
		214-217.	Swap Single Tubes Off (hold 1,5s)	Swap single tubes off
		218-221.	Swap Single Tubes On (hold 1,5s)	Swap single tubes on (hold 1
		222-224.	No function	No function
		225-229.	LED Mode - Illumination (hold 1,5s)	Low power mode
		230-234.	LED Mode-Boost (hold 1,5s)	High power mode
		235-237.	No function	No function
		238-242.	Factory Reset (hold 3s)	Factory reset (Hold 3s)
		243-247.	User Reset (hold 3s)	User reset (hold 3s)
		248-255.	No function	No function

Channel	Pure Mode 118CH 8Bit			Default
1	Master Dimmer	000-255.	Total tone	Total Tone
2	Single Tube 1 - Shutter	000-019	Shutter close	Shutter close
		020-024	Shutter open	Shutter Open
		025-064	Strobe 1 (fast → slow)	Strobe 1 (fast → slow)
		065-069	Shutter open	Shutter Open
		070-084	Strobe 2: opening pulse (fast → slow)	Strobe 2: Opening pulse (fast → slow)
		085-089	Shutter open	Shutter Open

		090-104	Strobe 3: closing pulse (fast → slow)	Strobe 3: Closing pulse (fast → slow)
		105-109	Shutter open	Shutter Open
		110-124	Strobe 4: random strobe (fast → slow)	Strobe 4: random strobe
		125-129	Shutter open	Shutter Open
		130-144	Strobe 5: random opening pulse (fast → slow)	Strobe 5: Random opening pulse (fast → slow)
		145-149	Shutter open	Shutter Open
		150-164	Strobe 6: random closing pulse (fast → slow)	Strobe 6: Random closing pulse (fast → slow)
		165-169	Shutter open	Shutter open
		170-184	Strobe 7: burst pulse (fast → slow)	Strobe 7: Burst pulse (fast → slow)
		185-189	Shutter open	Shutter Open
		190-204	Strobe 8: random burst pulse (fast → slow)	Strobe 8: Random burst pulse (fast → slow)
		205-209	Shutter open	Shutter Open
		210-224	Strobe 9: sine wave (fast → slow)	Strobe 9: Sine wave (fast → slow)
		225-229	Shutter open	Shutter Open
		230-244	Strobe 10: burst (fast → slow)	Strobe 10: Burst (fast → slow)
		245-255	Shutter open	Shutter Open
3	Single Tube 1 - Duration	000-255.	only affects to Strobe 1 (025-064)	Stroboscopic Special effects
4	Single Tube 1 - Pixel 1 - Intensity	000-255.	Single tube one dimmer	A length of dimming
5	Single Tube 1 - Pixel 2 - Intensity	000-255.	Single tube one dimmer	Second dimmer
6	Single Tube 1 - Pixel 3 - Intensity	000-255.	Single tube one dimmer	Three dimmers
7	Single Tube 1 - Pixel 4 - Intensity	000-255.	Single tube, one dimmer	Four dimmers
8	Single Tube 1 - Pixel 5 - Intensity	000-255.	Single tube one dimmer	Five dimmers
9	Single Tube 1 - Pixel 6 - Intensity	000-255.	Single tube one dimmer	Six stages of dimming
10	Single Tube 1 - Pixel 7 - Intensity	000-255.	Single tube one dimmer	Seven dimmers
11	Single Tube 1 - Pixel 8 - Intensity	000-255.	Single tube one dimmer	Eight dimmers
12	Single Tube 1 - Pixel 9 - Intensity	000-255.	Single tube one dimmer	Nine dimmers
13	Single Tube 1 - Pixel 10 - Intensity	000-255.	Single tube one dimmer	Ten dimmers
14	Single Tube 1 - Pixel 11 - Intensity	000-255.	Single tube one dimmer	Eleven dimmers

15	Single Tube 1 - Pixel 12 - Intensity	000-255.	Single tube one dimmer	Twelve dimmers
16	Single Tube 2 - Shutter	000-019	Shutter close	Shutter close
		020-024	Shutter open	Shutter Open
		025-064	Strobe 1 (fast → slow)	Strobe 1 (fast → slow)
		065-069	Shutter open	Shutter Open
		070-084	Strobe 2: opening pulse (fast → slow)	Strobe 2: Opening pulse (fast → slow)
		085-089	Shutter open	Shutter Open
		090-104	Strobe 3: closing pulse (fast → slow)	Strobe 3: Closing pulse (fast → slow)
		105-109	Shutter open	Shutter Open
		110-124	Strobe 4: random strobe (fast → slow)	Strobe 4: random strobe
		125-129	Shutter open	Shutter Open
		130-144	Strobe 5: random opening pulse (fast → slow)	Strobe 5: Random opening pulse (fast → slow)
		145-149	Shutter open	Shutter Open
		150-164	Strobe 6: random closing pulse (fast → slow)	Strobe 6: Random closing pulse (fast → slow)
		165-169	Shutter open	Shutter Open
		170-184	Strobe 7: burst pulse (fast → slow)	Strobe 7: Burst pulse (fast → slow)
		185-189	Shutter open	Shutter open
		190-204	Strobe 8: random burst pulse (fast → slow)	Strobe 8: Random burst pulse (fast → slow)
		205-209	Shutter open	Shutter Open
210-224	Strobe 9: sine wave (fast → slow)	Strobe 9: Sine wave (fast → slow)		
225-229	Shutter open	Shutter Open		
230-244	Strobe 10: burst (fast → slow)	Strobe 10: Burst (fast → slow)		
245-255	Shutter open	Shutter Open		
17	Single Tube 2 - Duration	000-255.	only affects to Strobe 1 (025-064)	Stroboscopic Special effects
18	Single Tube 2 - Pixel 1 - Intensity	000-255.	Single tube 2 Dimmer	A length of dimming
19	Single Tube 2 - Pixel 2 - Intensity	000-255.	Single tube two dimming	Second dimmer
20	Single Tube 2 - Pixel 3 - Intensity	000-255.	Single tube 2 Dimmer	Three dimmers
21	Single Tube 2 - Pixel 4 - Intensity	000-255.	Single tube 2 Dimmer	Four dimmers
22	Single Tube 2 - Pixel 5 - Intensity	000-255.	Single tube 2 Dimmer	Five stage dimming
23	Single Tube 2 - Pixel 6 - Intensity	000-255.	Single tube 2 Dimmer	Six dimmers

24	Single Tube 2 - Pixel 7 - Intensity	000-255.	Single tube 2 Dimmer	Seven dimmers
25	Single Tube 2 - Pixel 8 - Intensity	000-255.	Single tube 2 Dimmer	Eight dimmers
26	Single Tube 2 - Pixel 9 - Intensity	000-255.	Single tube 2 Dimmer	Nine dimmers
27	Single Tube 2 - Pixel 10 - Intensity	000-255.	Single tube 2 Dimmer	Ten dimmers
28	Single Tube 2 - Pixel 11 - Intensity	000-255.	Single tube 2 Dimmer	Eleven dimmers
29	Single Tube 2 - Pixel 12 - Intensity	000-255.	Single tube 2 Dimmer	Twelve dimmers
30	Single Tube 3 - Shutter	000-019	Shutter close	Shutter close
		020-024	Shutter open	Shutter Open
		025-064	Strobe 1 (fast → slow)	Strobe 1 (fast → slow)
		065-069	Shutter open	Shutter Open
		070-084	Strobe 2: opening pulse (fast → slow)	Strobe 2: Opening pulse (fast → slow)
		085-089	Shutter open	Shutter Open
		090-104	Strobe 3: closing pulse (fast → slow)	Strobe 3: Closing pulse (fast → slow)
		105-109	Shutter open	Shutter Open
		110-124	Strobe 4: random strobe (fast → slow)	Stroboscopic 4: random stroboscopic
		125-129	Shutter open	Shutter Open
		130-144	Strobe 5: random opening pulse (fast → slow)	Strobe 5: Random opening pulse (fast → slow)
		145-149	Shutter open	Shutter Open
		150-164	Strobe 6: random closing pulse (fast → slow)	Strobe 6: Random closing pulse (fast → slow)
		165-169	Shutter open	Shutter Open
		170-184	Strobe 7: burst pulse (fast → slow)	Strobe 7: Burst pulse (fast → slow)
		185-189	Shutter open	Shutter Open
		190-204	Strobe 8: random burst pulse (fast → slow)	Strobe 8: Random burst pulse (fast → slow)
205-209	Shutter open	Shutter Open		
210-224	Strobe 9: sine wave (fast → slow)	Strobe 9: Sine wave (fast → slow)		
225-229	Shutter open	Shutter Open		
230-244	Strobe 10: burst (fast → slow)	Strobe 10: Burst (fast → slow)		
245-255	Shutter open	Shutter Open		
31	Single Tube 3 - Duration	000-255.	only affects to Strobe 1 (025-064)	Stroboscopic Special effects
32	Single Tube 3 - Pixel 1 - Intensity	000-255.	Single tube three dimming	A length of dimming

33	Single Tube 3 - Pixel 2 - Intensity	000-255.	Single tube three dimmers	Second dimmer
34	Single Tube 3 - Pixel 3 - Intensity	000-255.	Single tube three dimmers	Three dimmers
35	Single Tube 3 - Pixel 4 - Intensity	000-255.	Single tube three dimmers	Four dimming stages
36	Single Tube 3 - Pixel 5 - Intensity	000-255.	Single tube three dimmers	Five dimmers
37	Single Tube 3 - Pixel 6 - Intensity	000-255.	Single tube three dimmers	Six dimmers
38	Single Tube 3 - Pixel 7 - Intensity	000-255.	Single tube three dimmers	Seven dimmers
39	Single Tube 3 - Pixel 8 - Intensity	000-255.	Single tube three dimmers	Eight dimmers
40	Single Tube 3 - Pixel 9 - Intensity	000-255.	Single tube three dimmers	Nine dimmers
41	Single Tube 3 - Pixel 10 - Intensity	000-255.	Single tube three dimmers	Ten dimmers
42	Single Tube 3 - Pixel 11 - Intensity	000-255.	Single tube three dimmers	Eleven dimmers
43	Single Tube 3 - Pixel 12 - Intensity	000-255.	Single tube three dimmers	Twelve dimmers
44	Single Tube 4 - Shutter	000-019	Shutter close	Shutter close
		020-024	Shutter open	Shutter open
		025-064	Strobe 1 (fast → slow)	Strobe 1 (fast → slow)
		065-069	Shutter open	Shutter Open
		070-084	Strobe 2: opening pulse (fast → slow)	Strobe 2: Opening pulse (fast → slow)
		085-089	Shutter open	Shutter Open
		090-104	Strobe 3: closing pulse (fast → slow)	Strobe 3: Closing pulse (fast → slow)
		105-109	Shutter open	Shutter Open
		110-124	Strobe 4: random strobe (fast → slow)	Strobe 4: random strobe
		125-129	Shutter open	Shutter Open
		130-144	Strobe 5: random opening pulse (fast → slow)	Strobe 5: Random opening pulse (fast → slow)
		145-149	Shutter open	Shutter Open
		150-164	Strobe 6: random closing pulse (fast → slow)	Strobe 6: Random closing pulse (fast → slow)
		165-169	Shutter open	Shutter Open
		170-184	Strobe 7: burst pulse (fast → slow)	Strobe 7: Burst pulse (fast → slow)
185-189	Shutter open	Shutter Open		
190-204	Strobe 8: random burst pulse (fast → slow)	Strobe 8: Random burst pulse (fast → slow)		
205-209	Shutter open	Shutter open		

		210-224	Strobe 9:sine wave (fast → slow)	Strobe 9: Sine wave (fast → slow)
		225-229	Shutter open	Shutter Open
		230-244	Strobe 10: burst (fast → slow)	Strobe 10: Burst (fast → slow)
		245-255	Shutter open	Shutter Open
45	Single Tube 4 - Duration	000-255.	only affects to Strobe 1 (025-064)	Stroboscopic Special effects
46	Single Tube 4 - Pixel 1 - Intensity	000-255.	Single tube four dimmers	A length of dimming
47	Single Tube 4 - Pixel 2 - Intensity	000-255.	Single tube four dimmers	Two dimmers
48	Single Tube 4 - Pixel 3 - Intensity	000-255.	Single tube four dimmers	Three dimming stages
49	Single Tube 4 - Pixel 4 - Intensity	000-255.	Single tube four dimmers	Four dimmers
50	Single Tube 4 - Pixel 5 - Intensity	000-255.	Single tube four dimmers	Five dimmers
51	Single Tube 4 - Pixel 6 - Intensity	000-255.	Single tube four dimmers	Six dimmers
52	Single Tube 4 - Pixel 7 - Intensity	000-255.	Single tube four dimmers	Seven dimmers
53	Single Tube 4 - Pixel 8 - Intensity	000-255.	Single tube four dimmers	Eight dimmers
54	Single Tube 4 - Pixel 9 - Intensity	000-255.	Single tube four dimmers	Nine dimmers
55	Single Tube 4 - Pixel 10 - Intensity	000-255.	Single tube four dimmers	Ten dimmers
56	Single Tube 4 - Pixel 11 - Intensity	000-255.	Single tube four dimmers	Eleven dimmers
57	Single Tube 4 - Pixel 12 - Intensity	000-255.	Single tube four dimmers	Twelve dimmers
58	RGB Panel 1 - Shutter	000-019	Shutter close	Shutter close
		020-024	Shutter open	Shutter Open
		025-064	Strobe 1 (fast → slow)	Strobe 1 (fast → slow)
		065-069	Shutter open	Shutter open
		070-084	Strobe 2: opening pulse (fast → slow)	Strobe 2: Opening pulse (fast → slow)
		085-089	Shutter open	Shutter Open
		090-104	Strobe 3: closing pulse (fast → slow)	Strobe 3: Closing pulse (fast → slow)
		105-109	Shutter open	Shutter Open
		110-124	Strobe 4: random strobe (fast → slow)	Strobe 4: random strobe
		125-129	Shutter open	Shutter Open
		130-144	Strobe 5: random opening pulse (fast → slow)	Strobe 5: Random opening pulse (fast → slow)
		145-149	Shutter open	Shutter Open

		150-164	Strobe 6: random closing pulse (fast → slow)	Strobe 6: Random closing pulse (fast → slow)
		165-169	Shutter open	Shutter Open
		170-184	Strobe 7: burst pulse (fast → slow)	Strobe 7: Burst pulse (fast → slow)
		185-189	Shutter open	Shutter Open
		190-204	Strobe 8: random burst pulse (fast → slow)	Strobe 8: Random burst pulse (fast → slow)
		205-209	Shutter open	Shutter Open
		210-224	Strobe 9: sine wave (fast → slow)	Strobe 9: Sine wave (fast → slow)
		225-229	Shutter open	Shutter open
		230-244	Strobe 10: burst (fast → slow)	Strobe 10: Burst (fast → slow)
		245-255	Shutter open	Shutter Open
59	RGB Panel 1 -Duration	000-255.	only affects to Strobe 1 (025-064)	Stroboscopic Special effects
56	RGB Panel 1 - Red 1	000-255.	RGB Panel one dimmer	Red aristide
61	RGB Panel 1 - Green 1	000-255.	RGB Panel one dimmer	Green One
62	RGB Panel 1 - Blue 1	000-255.	RGB Panel one dimmer	Blue One
63	RGB Panel 1 - Red 2	000-255.	RGB Panel one dimmer	Red Two
64	RGB Panel 1 - Green 2	000-255.	RGB Panel one dimmer	Green Two
65	RGB Panel 1 - Blue 2	000-255.	RGB Panel one dimmer	Blue Two
66	RGB Panel 1 - Red 3	000-255.	RGB Panel one dimmer	Red Three
67	RGB Panel 1 - Green 3	000-255.	RGB Panel one dimmer	Green Three
68	RGB Panel 1 - Blue 3	000-255.	RGB Panel one dimmer	Blue Three
69	RGB Panel 1 - Red 4	000-255.	RGB Panel one dimmer	Red Four
70	RGB Panel 1 - Green 4	000-255.	RGB Panel one dimmer	Green Four
71	RGB Panel 1 - Blue 4	000-255.	RGB Panel one dimmer	Blue Four
72	RGB Panel 1 - Red 5	000-255.	RGB Panel one dimmer	Red Five
73	RGB Panel 1 - Green 5	000-255.	RGB panel a dimmer	Green Five
74	RGB Panel 1 - Blue 5	000-255.	RGB Panel one dimmer	Blue Five
75	RGB Panel 1 - Red 6	000-255.	RGB Panel one dimmer	Red Six
76	RGB Panel 1 - Green 6	000-255.	RGB Panel one dimmer	chlorhexane
77	RGB Panel 1 - Blue 6	000-255.	RGB Panel one dimmer	Blue Six
78	RGB Panel 2 - Shutter	000-019	Shutter close	Shutter close
		020-024	Shutter open	Shutter Open
		025-064	Strobe 1 (fast → slow)	Stroboscopic 1 (Fast Slow)
		065-069	Shutter open	Shutter Open
		070-084	Strobe 2: opening pulse (fast → slow)	Strobe 2: Opening pulse (fast → slow)
		085-089	Shutter open	Shutter Open
		090-104	Strobe 3: closing pulse (fast → slow)	Strobe 3: Closing pulse (fast → slow)
		105-109	Shutter open	Shutter Open
		110-124	Strobe 4: random strobe (fast → slow)	Strobe 4: random strobe

		125-129	Shutter open	Shutter Open
		130-144	Strobe 5: random opening pulse (fast → slow)	Strobe 5: Random opening pulse (fast → slow)
		145-149	Shutter open	Shutter Open
		150-164	Strobe 6: random closing pulse (fast → slow)	Strobe 6: Random closing pulse (fast → slow)
		165-169	Shutter open	Shutter Open
		170-184	Strobe 7: burst pulse (fast → slow)	Strobe 7: Burst pulse (fast → slow)
		185-189	Shutter open	Shutter Open
		190-204	Strobe 8: random burst pulse (fast → slow)	Strobe 8: Random burst pulse (fast → slow)
		205-209	Shutter open	Shutter Open
		210-224	Strobe 9: sine wave (fast → slow)	Stroboscopic 9: Sine wave (fast to slow)
		225-229	Shutter open	Shutter Open
		230-244	Strobe 10: burst (fast → slow)	Strobe 10: Burst (fast → slow)
		245-255	Shutter open	Shutter Open
79	RGB Panel 2 -Duration	000-255.	only affects to Strobe 1 (025-064)	Stroboscopic Special effects
80	RGB Panel 2 - Red 1	000-255.	RGB Panel 2 Dimmer	Red One
81	RGB Panel 2 - Green 1	000-255.	RGB Panel 2 Dimmer	Green One
82	RGB Panel 2 - Blue 1	000-255.	RGB Panel 2 Dimmer	Blue One
83	RGB Panel 2 - Red 2	000-255.	RGB Panel 2 Dimmer	Red Two
84	RGB Panel 2 - Green 2	000-255.	RGB Panel 2 Dimmer	Green Two
85	RGB Panel 2- Blue 2	000-255.	RGB Panel 2 Dimmer	Blue Two
86	RGB Panel 2 - Red 3	000-255.	RGB panel two dimming	Red Three
87	RGB Panel 2 - Green 3	000-255.	RGB Panel 2 Dimmer	Green Three
88	RGB Panel 2 - Blue 3	000-255.	RGB Panel 2 Dimmer	Blue Three
89	RGB Panel 2 - Red 4	000-255.	RGB Panel 2 Dimmer	Red cabbage
90	RGB Panel 2 - Green 4	000-255.	RGB Panel 2 Dimmer	Green Four
91	RGB Panel 2 - Blue 4	000-255.	RGB Panel 2 Dimmer	Blue Four
92	RGB Panel 2 - Red 5	000-255.	RGB Panel 2 Dimmer	Red Five
93	RGB Panel 2 - Green 5	000-255.	RGB Panel 2 Dimmer	Green Five
94	RGB Panel 2 - Blue 5	000-255.	RGB Panel 2 Dimmer	Blue Five
95	RGB Panel 2 - Red 6	000-255.	RGB Panel 2 Dimmer	Red Six
96	RGB Panel 2 - Green 6	000-255.	RGB Panel 2 Dimmer	Green Six
97	RGB Panel 2 - Blue 6	000-255.	RGB Panel 2 Dimmer	Blue Six
98	RGB Panel 3 - Shutter	000-019	Shutter close	Shutter close
		020-024	Shutter open	Shutter open
		025-064	Strobe 1 (fast → slow)	Strobe 1 (fast → slow)
		065-069	Shutter open	Shutter Open
		070-084	Strobe 2: opening pulse (fast → slow)	Strobe 2: Opening pulse (fast → slow)
		085-089	Shutter open	Shutter Open

		090-104	Strobe 3: closing pulse (fast → slow)	Strobe 3: Closing pulse (fast → slow)
		105-109	Shutter open	Shutter Open
		110-124	Strobe 4: random strobe (fast → slow)	Strobe 4: random strobe
		125-129	Shutter open	Shutter Open
		130-144	Strobe 5: random opening pulse (fast → slow)	Strobe 5: Random opening pulse (fast → slow)
		145-149	Shutter open	Shutter Open
		150-164	Strobe 6: random closing pulse (fast → slow)	Strobe 6: Random closing pulse (fast → slow)
		165-169	Shutter open	Shutter Open
		170-184	Strobe 7: burst pulse (fast → slow)	Strobe 7: Burst pulse (fast → slow)
		185-189	Shutter open	Shutter Open
		190-204	Strobe 8: random burst pulse (fast → slow)	Strobe 8: Random burst pulse (fast → slow)
		205-209	Shutter open	Shutter open
		210-224	Strobe 9: sine wave (fast → slow)	Strobe 9: Sine wave (fast → slow)
		225-229	Shutter open	Shutter Open
		230-244	Strobe 10: burst (fast → slow)	Strobe 10: Burst (fast → slow)
		245-255	Shutter open	Shutter Open
99	RGB Panel 3 -Duration	000-255.	only affects to Strobe 1 (025-064)	Stroboscopic Special effects
100	RGB Panel 3 - Red 1	000-255.	RGB panel three dimmers	Red One
101	RGB Panel 3 - Green 1	000-255.	RGB panel three dimmers	Green One
102	RGB Panel 3 - Blue 1	000-255.	RGB panel three dimmers	Blue One
103	RGB Panel 3 - Red 2	000-255.	RGB panel three dimmers	Red Two
104	RGB Panel 3 - Green 2	000-255.	RGB panel three dimmers	Green Two
105	RGB Panel 3 - Blue 2	000-255.	RGB panel three dimmers	Dicarboxylic acid
106	RGB Panel 3 - Red 3	000-255.	RGB panel three dimmers	Red Three
107	RGB Panel 3 - Green 3	000-255.	RGB panel three dimmers	Green Three
108	RGB Panel 3 - Blue 3	000-255.	RGB panel three dimmers	Blue Three
109	RGB Panel 3 - Red 4	000-255.	RGB panel three dimmers	Red Four
110	RGB Panel 3 - Green 4	000-255.	RGB panel three dimmers	Green Four
111	RGB Panel 3 - Blue 4	000-255.	RGB panel three dimmers	Blue Four
112	RGB Panel 3 - Red 5	000-255.	RGB panel three dimmers	Red Five
113	RGB Panel 3 - Green 5	000-255.	RGB panel three dimmers	Green Five
114	RGB Panel 3 - Blue 5	000-255.	RGB panel three dimmers	Blue Five
115	RGB Panel 3 - Red 6	000-255.	RGB panel three dimmers	Red Six
116	RGB Panel 3 - Green 6	000-255.	RGB panel three dimmers	Green Six
117	RGB Panel 3 - Blue 6	000-255.	RGB panel three dimmers	Blue Six
	Device Settings	000-005	No function	No function
118	(please see remark *1)	006-010.	Display Backlight On (hold 3s)	Display backlight on (hold 3s)

	011-015.	Display Backlight Off (hold 3s)	Display backlight off (hold 3s)
	016-018.	No function	No function
	019-023.	DMX Fail Blackout (hold 3s)	Black Field
	024-028.	DMX Fail Hold (hold 3s)	hold
	029-033.	DMX Fail - Emergency Light (hold 3s)	Full light (only works in color temperature mode)
	034-036.	No function	No function
	037-041.	Linear Dimmer Curve (hold 1,5s)	Linear dimmer curve (Hold)
	042-046.	Exponential Dimmer Curve (hold 1,5s)	Exponential dimmer curve
	047-051.	Logarithmic Dimmer Curve (hold 1,5s)	Logarithmic dimmer curve
	052-056.	S-curve Dimmer Curve (hold 1,5s)	S-curve (hold 1, 5)
	057-061.	No function	No function
	062-066.	LED (Fast) Dimmer Response (hold 1,5s)	No delay
	067-071.	Medium Dimmer Response (hold 1,5s)	Medium dimmer response delay
	072-076.	Halogen(Slow) Dimmer Response (hold 1,5s)	Halogen dimmer Response
	077-080.	No function	No function
	081-085.	Full Calibration (Colors & CCT / hold 3s)	Primary color correction on
	086-090.	CCT Calibration (RAW Colors / hold 3s)	Turn off primary colors correction
	091-093.	No function	No function
	094-098.	LED Frequency 800Hz (hold 3s)	LED frequency 800Hz
	099-103.	LED Frequency 1200Hz (hold 3s)	LED frequency 1200Hz
	104-108.	LED Frequency 2000Hz (hold 3s)	LED frequency 2000Hz (hold 3s)
	109-113.	LED Frequency 3600Hz (hold 3s)	LED frequency 3600Hz
	114-118.	LED Frequency 12kHz (hold 3s)	LED frequency 12kHz (hold 3s)
	119-123.	LED Frequency 25kHz (hold 3s)	LED frequency 25kHz (hold 3s)
	124-126.	No function	No function
	127-131.	Fan Auto (hold 3s)	Fan Auto (Hold 3S)
	132-136.	Fan Silent (hold 3s)	Fan Silent (hold 3s)
	137-141.	Fan Off (hold 3s)	Fan Off (hold 3s)
	142-146.	Fan High Power (hold 3s)	Fan High Power (hold 3s)
	147-149.	No function	No function
	150-153.	Invert RGB Panel 1 Off (hold 1,5s)	Invert RGB Panel 1 Off
	154-157.	Invert RGB Panel 1 On (hold 1,5s)	Invert RGB Panel 1 On (hold 1)
	158-161.	Invert RGB Panel 2 Off (hold 1,5s)	Invert RGB Panel 2 off
	162-165.	Invert RGB Panel 2 On (hold 1,5s)	Invert RGB Panel 2 on (hold 1, 5 s)
	166-169.	Invert RGB Panel 3 Off (hold 1,5s)	Invert RGB Panel 3 off
	170-173.	Invert RGB Panel 3 On (hold 1,5s)	Invert RGB panel 3 to open

		174-177.	Invert Single Tube 1 Off (hold 1,5s)	Invert single tube 1 Off (hold 1 s)
		178-181.	Invert Single Tube 1 On (hold 1,5s)	Invert single tube 1 On (hold 1 s)
		182-185.	Invert Single Tube 2 Off (hold 1,5s)	Invert single tube 2 off (hold 1 s)
		186-189.	Invert Single Tube 2 On (hold 1,5s)	Invert single tube 2 on (hold 1 5 s)
		190-193.	Invert Single Tube 3 Off (hold 1,5s)	Invert single tube 3 off (hold 1, 5 s)
		194-197.	Invert Single Tube 3 On (hold 1,5s)	Invert single tube 3 on (hold 1 5 s)
		198-201.	Invert Single Tube 4 Off (hold 1,5s)	Invert single tube 4 off (hold 1 5 s)
		202-205.	Invert Single Tube 4 On (hold 1,5s)	Invert single tube 4 on (hold 1 5 s)
		206-209.	Swap RGB Panels Off (hold 1,5s)	Swap RGB panels off
		210-213.	Swap RGB Panels On (hold 1,5s)	Swap RGB panels on
		214-217.	Swap Single Tubes Off (hold 1,5s)	Swap single tubes off
		218-221.	Swap Single Tubes On (hold 1,5s)	Swap single tubes on (hold 1
		222-224.	No function	No function
		225-229.	LED Mode - Illumination (hold 1,5s)	Low power mode
		230-234.	LED Mode-Boost (hold 1,5s)	High power mode
		235-237.	No function	non-function
		238-242.	Factory Reset (hold 3s)	Factory reset (Hold 3s)
		243-247.	User Reset (hold 3s)	User reset (hold 3s)
		248-255.	No function	No function

Channel	Pure Mode 221 Ch 16 Bit			Default
1	Master Dimmer	000-255.	Total tone	Total Tone
2	Master Dimmer fine	000-255.	fine tuning	Fine Tuning
3	Single Tube 1 - Shutter	000-019	Shutter close	Shutter close
		020-024	Shutter open	Shutter Open
		025-064	Strobe 1 (fast → slow)	Strobe 1 (fast → slow)
		065-069	Shutter open	Shutter Open
		070-084	Strobe 2: opening pulse (fast → slow)	Strobe 2: Opening pulse (fast → slow)
		085-089	Shutter open	Shutter Open
		090-104	Strobe 3: closing pulse (fast → slow)	Strobe 3: Closing pulse (fast → slow)
		105-109	Shutter open	Shutter open
		110-124	Strobe 4: random strobe (fast → slow)	Strobe 4: random strobe
		125-129	Shutter open	Shutter Open

		130-144	Strobe 5: random opening pulse (fast → slow)	Strobe 5: Random opening pulse (fast → slow)
		145-149	Shutter open	Shutter Open
		150-164	Strobe 6: random closing pulse (fast → slow)	Strobe 6: Random closing pulse (fast → slow)
		165-169	Shutter open	Shutter Open
		170-184	Strobe 7: burst pulse (fast → slow)	Strobe 7: Burst pulse (fast → slow)
		185-189	Shutter open	Shutter Open
		190-204	Strobe 8: random burst pulse (fast → slow)	Strobe 8: Random burst pulse (fast → slow)
		205-209	Shutter open	Shutter Open
		210-224	Strobe 9: sine wave (fast → slow)	Strobe 9: Sine wave (fast → slow)
		225-229	Shutter open	Shutter Open
		230-244	Strobe 10: burst (fast → slow)	Strobe 10: Burst (fast → slow)
		245-255	Shutter open	Shutter Open
4	Single Tube 1 - Duration	000-255.	only affects to Strobe 1 (025-064)	Stroboscopic Special effects
5	Single Tube 1 - Pixel 1 - Intensity	000-255.	Single tube one dimmer	One full light
6	Single Tube 1 - Pixel 1 - Intensity fine	000-255.	Single tube one dimmer	A section of microlight
7	Single Tube 1 - Pixel 2 - Intensity	000-255.	Single tube one dimmer	2 section full light
8	Single Tube 1 - Pixel 2 - Intensity fine	000-255.	Single tube one dimmer	Second stage light
9	Single Tube 1 - Pixel 3 - Intensity	000-255.	Single tube one dimmer	Three segments full light
10	Single Tube 1 - Pixel 3 - Intensity fine	000-255.	Single tube one dimmer	Three segments of microlight
11	Single Tube 1 - Pixel 4 - Intensity	000-255.	Single tube one dimmer	Four segments full light
12	Single Tube 1 - Pixel 4 - Intensity fine	000-255.	Single tube one dimmer	Four segments of microlight
13	Single Tube 1 - Pixel 5 - Intensity	000-255.	Single tube one dimmer	Five segments full light
14	Single Tube 1 - Pixel 5 - Intensity fine	000-255.	Single tube, one dimmer	Five sections of light
15	Single Tube 1 - Pixel 6 - Intensity	000-255.	Single tube one dimmer	Six segments full light
16	Single Tube 1 - Pixel 6 - Intensity fine	000-255.	Single tube one dimmer	Six segments of microlight
17	Single Tube 1 - Pixel 7 - Intensity	000-255.	Single tube one dimmer	All seven sections are lit

18	Single Tube 1 - Pixel 7 - Intensity fine	000-255.	Single tube one dimmer	Seven sections of microlight
19	Single Tube 1 - Pixel 8 - Intensity	000-255.	Single tube one dimmer	Eight segments full light
20	Single Tube 1 - Pixel 8 - Intensity fine	000-255.	Single tube one dimmer	Eight segments of light
21	Single Tube 1 - Pixel 9 - Intensity	000-255.	Single tube one dimmer	Nine segments full light
22	Single Tube 1 - Pixel 9 - Intensity fine	000-255.	Single tube one dimmer	Nine segment light
23	Single Tube 1 - Pixel 10 - Intensity	000-255.	Single tube one dimmer	Ten segments full light
24	Single Tube 1 - Pixel 10 - Intensity fine	000-255.	Single tube, one dimmer	Ten segments of light
25	Single Tube 1 - Pixel 11 - Intensity	000-255.	Single tube one dimmer	Eleven segments full light
26	Single Tube 1 - Pixel 11 - Intensity fine	000-255.	Single tube one dimmer	Eleven microlight
27	Single Tube 1 - Pixel 12 - Intensity	000-255.	Single tube one dimmer	Twelve segments are all bright
28	Single Tube 1 - Pixel 12 - Intensity fine	000-255.	Single tube one dimmer	Twelve segments of light
29	Single Tube 2 - Shutter	000-019	Shutter close	Shutter close
		020-024	Shutter open	Shutter Open
		025-064	Strobe 1 (fast → slow)	Stroboscopic 1 (Fast Slow)
		065-069	Shutter open	Shutter Open
		070-084	Strobe 2: opening pulse (fast → slow)	Strobe 2: Opening pulse (fast → slow)
		085-089	Shutter open	Shutter Open
		090-104	Strobe 3: closing pulse (fast → slow)	Strobe 3: Closing pulse (fast → slow)
		105-109	Shutter open	Shutter Open
		110-124	Strobe 4: random strobe (fast → slow)	Strobe 4: random strobe
		125-129	Shutter open	Shutter Open
		130-144	Strobe 5: random opening pulse (fast → slow)	Strobe 5: Random opening pulse (fast → slow)
		145-149	Shutter open	Shutter Open
		150-164	Strobe 6: random closing pulse (fast → slow)	Strobe 6: Random closing pulse (fast → slow)
		165-169	Shutter open	Shutter Open
		170-184	Strobe 7: burst pulse (fast → slow)	Strobe 7: Burst pulse (fast → slow)
		185-189	Shutter open	Shutter Open
190-204	Strobe 8: random burst pulse (fast → slow)	Strobe 8: Random burst pulse (fast → slow)		
205-209	Shutter open	Shutter Open		

		210-224	Strobe 9:sine wave (fast → slow)	Stroboscopic 9: Sine wave (fast to slow)
		225-229	Shutter open	Shutter Open
		230-244	Strobe 10: burst (fast → slow)	Strobe 10: Burst (fast → slow)
		245-255	Shutter open	Shutter Open
30	Single Tube 2 - Duration	000-255.	only affects to Strobe 1 (025-064)	Stroboscopic Special effects
31	Single Tube 2 - Pixel 1 - Intensity	000-255.	Single tube 2 Dimmer	One segment full light
32	Single Tube 2 - Pixel 1 - Intensity fine	000-255.	Single tube 2 Dimmer	A section of light
33	Single Tube 2 - Pixel 2 - Intensity	000-255.	Single tube 2 Dimmer	2 section full light
34	Single Tube 2 - Pixel 2 - Intensity fine	000-255.	Single tube 2 Dimmer	Second segment light
35	Single Tube 2 - Pixel 3 - Intensity	000-255.	Single tube 2 Dimmer	Three segments full light
36	Single Tube 2 - Pixel 3 - Intensity fine	000-255.	Single tube 2 Dimmer	Three sections of microlight
37	Single Tube 2 - Pixel 4 - Intensity	000-255.	Single tube two dimming	Four segments full light
38	Single Tube 2 - Pixel 4 - Intensity fine	000-255.	Single tube 2 Dimmer	Four segments of microlight
39	Single Tube 2 - Pixel 5 - Intensity	000-255.	Single tube 2 Dimmer	Five segments full light
40	Single Tube 2 - Pixel 5 - Intensity fine	000-255.	Single tube 2 Dimmer	Five segments light up
41	Single Tube 2 - Pixel 6 - Intensity	000-255.	Single tube 2 Dimmer	Six segments full light
42	Single Tube 2 - Pixel 6 - Intensity fine	000-255.	Single tube 2 Dimmer	Six sections of microlight
43	Single Tube 2 - Pixel 7 - Intensity	000-255.	Single tube 2 Dimmer	Seven segments full light
44	Single Tube 2 - Pixel 7 - Intensity fine	000-255.	Single tube 2 Dimmer	Seven section light
45	Single Tube 2 - Pixel 8 - Intensity	000-255.	Single tube 2 Dimmer	Eight segments full light
46	Single Tube 2 - Pixel 8 - Intensity fine	000-255.	Single tube 2 Dimmer	Eight segment light
47	Single Tube 2 - Pixel 9 - Intensity	000-255.	Single tube 2 Dimmer	Nine segments full light
48	Single Tube 2 - Pixel 9 - Intensity fine	000-255.	Single tube 2 Dimmer	Nine segment light
49	Single Tube 2 - Pixel 10 - Intensity	000-255.	Single tube 2 Dimmer	Ten segments full light

50	Single Tube 2 - Pixel 10 - Intensity fine	000-255.	Single tube 2 Dimmer	Ten segment light
51	Single Tube 2 - Pixel 11 - Intensity	000-255.	Single tube 2 Dimmer	Eleven segments full light
52	Single Tube 2 - Pixel 11 - Intensity fine	000-255.	Single tube 2 Dimmer	Eleven microlight
53	Single Tube 2 - Pixel 12 - Intensity	000-255.	Single tube two dimming	Twelve segments full light
54	Single Tube 2 - Pixel 12 - Intensity fine	000-255.	Single tube 2 Dimmer	Twelve segments of light
55	Single Tube 3 - Shutter	000-019	Shutter close	Shutter close
		020-024	Shutter open	Shutter Open
		025-064	Strobe 1 (fast → slow)	Strobe 1 (fast → slow)
		065-069	Shutter open	Shutter Open
		070-084	Strobe 2: opening pulse (fast → slow)	Strobe 2: Opening pulse (fast → slow)
		085-089	Shutter open	Shutter Open
		090-104	Strobe 3: closing pulse (fast → slow)	Strobe 3: Closing pulse (fast → slow)
		105-109	Shutter open	Shutter open
		110-124	Strobe 4: random strobe (fast → slow)	Strobe 4: random strobe
		125-129	Shutter open	Shutter Open
		130-144	Strobe 5: random opening pulse (fast → slow)	Strobe 5: Random opening pulse (fast → slow)
		145-149	Shutter open	Shutter Open
		150-164	Strobe 6: random closing pulse (fast → slow)	Strobe 6: Random closing pulse (fast → slow)
		165-169	Shutter open	Shutter Open
		170-184	Strobe 7: burst pulse (fast → slow)	Strobe 7: Burst pulse (fast → slow)
		185-189	Shutter open	Shutter Open
		190-204	Strobe 8: random burst pulse (fast → slow)	Strobe 8: Random burst pulse (fast → slow)
205-209	Shutter open	Shutter Open		
210-224	Strobe 9: sine wave (fast → slow)	Strobe 9: Sine wave (fast → slow)		
225-229	Shutter open	Shutter Open		
230-244	Strobe 10: burst (fast → slow)	Strobe 10: Burst (fast → slow)		
245-255	Shutter open	Shutter Open		
56	Single Tube 3 - Duration	000-255.	only affects to Strobe 1 (025-064)	Stroboscopic Special effects
57	Single Tube 3 - Pixel 1 - Intensity	000-255.	Single tube three dimmers	One full light
58	Single Tube 3 - Pixel 1 - Intensity fine	000-255.	Single tube three dimmers	One section of microlight

59	Single Tube 3 - Pixel 2 - Intensity	000-255.	Single tube three dimmers	2 section full light
60	Single Tube 3 - Pixel 2 - Intensity fine	000-255.	Single tube three dimmers	Second segment light
61	Single Tube 3 - Pixel 3 - Intensity	000-255.	Single tube three dimmers	Three segments full light
62	Single Tube 3 - Pixel 3 - Intensity fine	000-255.	Single tube three dimmers	Three segments of microlight
63	Single Tube 3 - Pixel 4 - Intensity	000-255.	Single tube three dimmers	Four segments full light
64	Single Tube 3 - Pixel 4 - Intensity fine	000-255.	Single tube three dimmers	Four segments of microlight
65	Single Tube 3 - Pixel 5 - Intensity	000-255.	Single tube three dimmers	Five segments full light
66	Single Tube 3 - Pixel 5 - Intensity fine	000-255.	Single tube three dimming	Five segments of light
67	Single Tube 3 - Pixel 6 - Intensity	000-255.	Single tube three dimmers	Six segments full light
68	Single Tube 3 - Pixel 6 - Intensity fine	000-255.	Single tube three dimmers	Six segments of microlight
69	Single Tube 3 - Pixel 7 - Intensity	000-255.	Single tube three dimmers	All seven sections are lit
70	Single Tube 3 - Pixel 7 - Intensity fine	000-255.	Single tube three dimmers	Seven segments of microlight
71	Single Tube 3 - Pixel 8 - Intensity	000-255.	Single tube three dimmers	Eight segments full light
72	Single Tube 3 - Pixel 8 - Intensity fine	000-255.	Single tube three dimmers	Eight segments of light
73	Single Tube 3 - Pixel 9 - Intensity	000-255.	Single tube three dimmers	Nine segments full light
74	Single Tube 3 - Pixel 9 - Intensity fine	000-255.	Single tube three dimmers	Nine segment light
75	Single Tube 3 - Pixel 10 - Intensity	000-255.	Single tube three dimmers	Ten segments full light
76	Single Tube 3 - Pixel 10 - Intensity fine	000-255.	Single tube three dimmers	Ten segments of light
77	Single Tube 3 - Pixel 11 - Intensity	000-255.	Single tube three dimmers	Eleven segments full light
78	Single Tube 3 - Pixel 11 - Intensity fine	000-255.	Single tube three dimmers	Eleven microlight
79	Single Tube 3 - Pixel 12 - Intensity	000-255.	Single tube three dimmers	Twelve segments full light
80	Single Tube 3 - Pixel 12 - Intensity fine	000-255.	Single tube three dimmers	Twelve segments of light
81	Single Tube 4 - Shutter	000-019	Shutter close	Shutter close
		020-024	Shutter open	Shutter Open

		025-064	Strobe 1 (fast → slow)	Strobe 1 (fast → slow)
		065-069	Shutter open	Shutter Open
		070-084	Strobe 2: opening pulse (fast → slow)	Strobe 2: Opening pulse (fast → slow)
		085-089	Shutter open	Shutter Open
		090-104	Strobe 3: closing pulse (fast → slow)	Strobe 3: Closing pulse (fast → slow)
		105-109	Shutter open	Shutter Open
		110-124	Strobe 4: random strobe (fast → slow)	Strobe 4: random strobe
		125-129	Shutter open	Shutter Open
		130-144	Strobe 5: random opening pulse (fast → slow)	Strobe 5: Random opening pulse (fast → slow)
		145-149	Shutter open	Shutter Open
		150-164	Strobe 6: random closing pulse (fast → slow)	Stroboscopic 6: Random off pulse (fast to slow)
		165-169	Shutter open	Shutter Open
		170-184	Strobe 7: burst pulse (fast → slow)	Strobe 7: Burst pulse (fast → slow)
		185-189	Shutter open	Shutter Open
		190-204	Strobe 8: random burst pulse (fast → slow)	Strobe 8: Random burst pulse (fast → slow)
		205-209	Shutter open	Shutter Open
		210-224	Strobe 9: sine wave (fast → slow)	Strobe 9: Sine wave (fast → slow)
		225-229	Shutter open	Shutter Open
		230-244	Strobe 10: burst (fast → slow)	Strobe 10: Burst (fast → slow)
		245-255	Shutter open	Shutter Open
82	Single Tube 4 - Duration	000-255.	only affects to Strobe 1 (025-064)	Stroboscopic special effects
83	Single Tube 4 - Pixel 1 - Intensity	000-255.	Single tube four dimmers	One full light
84	Single Tube 4 - Pixel 1 - Intensity fine	000-255.	Single tube four dimmers	One section of microlight
85	Single Tube 4 - Pixel 2 - Intensity	000-255.	Single tube four dimmers	2 section full light
86	Single Tube 4 - Pixel 2 - Intensity fine	000-255.	Single tube four dimmers	Second stage light
87	Single Tube 4 - Pixel 3 - Intensity	000-255.	Single tube four dimmers	Three segments full light
88	Single Tube 4 - Pixel 3 - Intensity fine	000-255.	Single tube four dimmers	Three segments of microlight
89	Single Tube 4 - Pixel 4 - Intensity	000-255.	Single tube four dimmers	Four segments full light
90	Single Tube 4 - Pixel 4 - Intensity fine	000-255.	Single tube four dimmers	Four segments of microlight

91	Single Tube 4 - Pixel 5 - Intensity	000-255.	Single tube four dimmers	Five segments full light
92	Single Tube 4 - Pixel 5 - Intensity fine	000-255.	Single tube four dimmers	Five sections of light
93	Single Tube 4 - Pixel 6 - Intensity	000-255.	Single tube four dimmers	Six segments full light
94	Single Tube 4 - Pixel 6 - Intensity fine	000-255.	Single tube four dimmers	Six segments of microlight
95	Single Tube 4 - Pixel 7 - Intensity	000-255.	Single tube four dimming	Seven segments full light
96	Single Tube 4 - Pixel 7 - Intensity fine	000-255.	Single tube four dimmers	Seven sections of microlight
97	Single Tube 4 - Pixel 8 - Intensity	000-255.	Single tube four dimmers	Eight segments full light
98	Single Tube 4 - Pixel 8 - Intensity fine	000-255.	Single tube four dimmers	Eight sections light up
99	Single Tube 4 - Pixel 9 - Intensity	000-255.	Single tube four dimmers	Nine segments full light
100	Single Tube 4 - Pixel 9 - Intensity fine	000-255.	Single tube four dimmers	Nine segment light
101	Single Tube 4 - Pixel 10 - Intensity	000-255.	Single tube four dimmers	Ten segments full light
102	Single Tube 4 - Pixel 10 - Intensity fine	000-255.	Single tube four dimmers	Ten segments of light
103	Single Tube 4 - Pixel 11 - Intensity	000-255.	Single tube four dimmers	11 all bright
104	Single Tube 4 - Pixel 11 - Intensity fine	000-255.	Single tube four dimmers	Eleven microlight
105	Single Tube 4 - Pixel 12 - Intensity	000-255.	Single tube four dimmers	Twelve segments full light
106	Single Tube 4 - Pixel 12 - Intensity fine	000-255.	Single tube four dimmers	Twelve segments of light
107	RGB Panel 1 - Shutter	000-019	Shutter close	Shutter close
		020-024	Shutter open	Shutter open
		025-064	Strobe 1 (fast → slow)	Strobe 1 (fast → slow)
		065-069	Shutter open	Shutter Open
		070-084	Strobe 2: opening pulse (fast → slow)	Strobe 2: Opening pulse (fast → slow)
		085-089	Shutter open	Shutter Open
		090-104	Strobe 3: closing pulse (fast → slow)	Strobe 3: Closing pulse (fast → slow)
		105-109	Shutter open	Shutter Open
		110-124	Strobe 4: random strobe (fast → slow)	Strobe 4: random strobe
		125-129	Shutter open	Shutter Open
		130-144	Strobe 5: random opening pulse (fast → slow)	Strobe 5: Random opening pulse (fast → slow)

		145-149	Shutter open	Shutter Open
		150-164	Strobe 6:random closing pulse (fast → slow)	Strobe 6: Random closing pulse (fast → slow)
		165-169	Shutter open	Shutter Open
		170-184	Strobe 7: burst pulse (fast → slow)	Strobe 7: Burst pulse (fast → slow)
		185-189	Shutter open	Shutter Open
		190-204	Strobe 8: random burst pulse (fast → slow)	Strobe 8: Random burst pulse (fast → slow)
		205-209	Shutter open	Shutter open
		210-224	Strobe 9:sine wave (fast → slow)	Strobe 9: Sine wave (fast → slow)
		225-229	Shutter open	Shutter Open
		230-244	Strobe 10: burst (fast → slow)	Strobe 10: Burst (fast → slow)
		245-255	Shutter open	Shutter Open
108	RGB Panel 1 - Duration	000-255.	only affects to Strobe 1 (025-064)	Stroboscopic Special effects
109	RGB Panel 1 - Red 1	000-255.	RGB Panel one dimmer	Red 1 Light all
110	RGB Panel 1 - Red 1 fine	000-255.	RGB Panel one dimmer	Red 1 Light slightly
111	RGB Panel 1 - Green 1	000-255.	RGB Panel one dimmer	Green 1 All on
112	RGB Panel 1 - Green 1 fine	000-255.	RGB Panel one dimmer	Green 1 Light slightly
113	RGB Panel 1 - Blue 1	000-255.	RGB Panel one dimmer	Blue 1 Light all
114	RGB Panel 1 - Blue 1 fine	000-255.	RGB Panel one dimmer	Blue 1 Light slightly
115	RGB Panel 1 - Red 2	000-255.	RGB Panel one dimmer	Red 2 Light all
116	RGB Panel 1 - Red 2 fine	000-255.	RGB Panel one dimmer	Red 2 Light slightly
117	RGB Panel 1 - Green 2	000-255.	RGB Panel one dimmer	Green 2 Light all
118	RGB Panel 1 - Green 2 fine	000-255.	RGB Panel one dimmer	Green 2 Light slightly
119	RGB Panel 1 - Blue 2	000-255.	RGB Panel one dimmer	Blue 2 All light
120	RGB Panel 1 - Blue 2 fine	000-255.	RGB Panel one dimmer	Blue 2 Light slightly
121	RGB Panel 1 - Red 3	000-255.	RGB Panel one dimmer	Red 3 Light all
122	RGB Panel 1 - Red 3 fine	000-255.	RGB Panel one dimmer	Red 3 Light slightly
123	RGB Panel 1 - Green 3	000-255.	RGB Panel one dimmer	Green 3 All light
124	RGB Panel 1 - Green 3 fine	000-255.	RGB panel a dimmer	Green 3 Light slightly
125	RGB Panel 1 - Blue 3	000-255.	RGB Panel one dimmer	Blue 3 All light

126	RGB Panel 1 - Blue 3 fine	000-255.	RGB Panel one dimmer	Blue 3 Light slightly
127	RGB Panel 1 - Red 4	000-255.	RGB Panel one dimmer	Red 4 All on
128	RGB Panel 1 - Red 4 fine	000-255.	RGB Panel one dimmer	Red 4 Light slightly
129	RGB Panel 1 - Green 4	000-255.	RGB Panel one dimmer	Green 4 All light
130	RGB Panel 1 - Green 4 fine	000-255.	RGB Panel one dimmer	Green 4 Light slightly
131	RGB Panel 1 - Blue 4	000-255.	RGB Panel one dimmer	Blue 4 All light
132	RGB Panel 1 - Blue 4 fine	000-255.	RGB Panel one dimmer	Blue 4 Light slightly
133	RGB Panel 1 - Red 5	000-255.	RGB Panel one dimmer	Red 5 Light all
134	RGB Panel 1 - Red 5 fine	000-255.	RGB Panel one dimmer	Red 5 Light slightly
135	RGB Panel 1 - Green 5	000-255.	RGB Panel one dimmer	Green 5 All light
136	RGB Panel 1 - Green 5 fine	000-255.	RGB Panel one dimmer	Green 5 Light slightly
137	RGB Panel 1 - Blue 5	000-255.	RGB Panel one dimmer	Blue 5 All light
138	RGB Panel 1 - Blue 5 fine	000-255.	RGB panel a dimmer	Blue 5 Light slightly
139	RGB Panel 1 - Red 6	000-255.	RGB Panel one dimmer	Red 6 All light
140	RGB Panel 1 - Red 6 fine	000-255.	RGB Panel one dimmer	Red 6 Light slightly
141	RGB Panel 1 - Green 6	000-255.	RGB Panel one dimmer	Green 6 All on
142	RGB Panel 1 - Green 6 fine	000-255.	RGB Panel one dimmer	Green 6 Light slightly
143	RGB Panel 1 - Blue 6	000-255.	RGB Panel one dimmer	Blue 6 All light
144	RGB Panel 1 - Blue 6 fine	000-255.	RGB Panel one dimmer	Blue 6 Light slightly
145	RGB Panel 2 - Shutter	000-019	Shutter close	Shutter close
		020-024	Shutter open	Shutter Open
		025-064	Strobe 1 (fast → slow)	Strobe 1 (fast → slow)
		065-069	Shutter open	Shutter Open
		070-084	Strobe 2: opening pulse (fast → slow)	Stroboscopic 2: Turn on pulse (fast to slow)
		085-089	Shutter open	Shutter Open
		090-104	Strobe 3: closing pulse (fast → slow)	Strobe 3: Closing pulse (fast → slow)
		105-109	Shutter open	Shutter Open
		110-124	Strobe 4: random strobe (fast → slow)	Strobe 4: random strobe
		125-129	Shutter open	Shutter Open
		130-144	Strobe 5: random opening pulse (fast → slow)	Strobe 5: Random opening pulse (fast → slow)

		145-149	Shutter open	Shutter Open
		150-164	Strobe 6:random closing pulse (fast → slow)	Strobe 6: Random closing pulse (fast → slow)
		165-169	Shutter open	Shutter Open
		170-184	Strobe 7: burst pulse (fast → slow)	Strobe 7: Burst pulse (fast → slow)
		185-189	Shutter open	Shutter Open
		190-204	Strobe 8: random burst pulse (fast → slow)	Strobe 8: Random burst pulse (fast → slow)
		205-209	Shutter open	Shutter Open
		210-224	Strobe 9:sine wave (fast → slow)	Strobe 9: Sine wave (fast → slow)
		225-229	Shutter open	Shutter Open
		230-244	Strobe 10: burst (fast → slow)	Strobo10: Burst stroboscopic (fast to slow)
		245-255	Shutter open	Shutter Open
146	RGB Panel 2 - Duration	000-255.	only affects to Strobe 1 (025-064)	Stroboscopic Special effects
147	RGB Panel 2 - Red 1	000-255.	RGB Panel 2 Dimmer	Red 1 Light all
148	RGB Panel 2 - Red 1 fine	000-255.	RGB Panel 2 Dimmer	Red 1 Light slightly
149	RGB Panel 2 - Green 1	000-255.	RGB Panel 2 Dimmer	Green 1 Light all
150	RGB Panel 2 - Green 1 fine	000-255.	RGB Panel 2 Dimmer	Green 1 Light slightly
151	RGB Panel 2 - Blue 1	000-255.	RGB panel two dimming	Blue 1 All light
152	RGB Panel 2 - Blue 1 fine	000-255.	RGB Panel 2 Dimmer	Blue 1 Light slightly
153	RGB Panel 2 - Red 2	000-255.	RGB Panel 2 Dimmer	Red 2 All light
154	RGB Panel 2 - Red 2 fine	000-255.	RGB Panel 2 Dimmer	Red 2 Light
155	RGB Panel 2 - Green 2	000-255.	RGB Panel 2 Dimmer	Green 2 All light
156	RGB Panel 2 - Green 2 fine	000-255.	RGB Panel 2 Dimmer	Green 2 Light slightly
157	RGB Panel 2 - Blue 2	000-255.	RGB Panel 2 Dimmer	Blue 2 All light
158	RGB Panel 2 - Blue 2 fine	000-255.	RGB Panel 2 Dimmer	Blue 2 Light slightly
159	RGB Panel 2 - Red 3	000-255.	RGB Panel 2 Dimmer	Red 3 All light
160	RGB Panel 2 - Red 3 fine	000-255.	RGB Panel 2 Dimmer	Red 3 Light slightly
161	RGB Panel 2 - Green 3	000-255.	RGB Panel 2 Dimmer	Green 3 All light
162	RGB Panel 2 - Green 3 fine	000-255.	RGB Panel 2 Dimmer	Green 3 Light slightly
163	RGB Panel 2 - Blue 3	000-255.	RGB Panel 2 Dimmer	Blue 3 All light

164	RGB Panel 2 - Blue 3 fine	000-255.	RGB Panel 2 Dimmer	Blue 3 Light slightly
165	RGB Panel 2 - Red 4	000-255.	RGB Panel 2 Dimmer	Red 4 All light
166	RGB Panel 2 - Red 4 fine	000-255.	RGB Panel 2 Dimmer	Red 4 Light slightly
167	RGB Panel 2 - Green 4	000-255.	RGB panel two dimming	Green 4 All light
168	RGB Panel 2 - Green 4 fine	000-255.	RGB Panel 2 Dimmer	Green 4 Light slightly
169	RGB Panel 2 - Blue 4	000-255.	RGB Panel 2 Dimmer	Blue 4 All light
170	RGB Panel 2 - Blue 4 fine	000-255.	RGB Panel 2 Dimmer	Blue 4 Light
171	RGB Panel 2 - Red 5	000-255.	RGB Panel 2 Dimmer	Red 5 All light
172	RGB Panel 2 - Red 5 fine	000-255.	RGB Panel 2 Dimmer	Red 5 Light slightly
173	RGB Panel 2 - Green 5	000-255.	RGB Panel 2 Dimmer	Green 5 All light
174	RGB Panel 2 - Green 5 fine	000-255.	RGB Panel 2 Dimmer	Green 5 Light slightly
175	RGB Panel 2 - Blue 5	000-255.	RGB Panel 2 Dimmer	Blue 5 All light
176	RGB Panel 2 - Blue 5 fine	000-255.	RGB Panel 2 Dimmer	Blue 5 Slight light
177	RGB Panel 2 - Red 6	000-255.	RGB Panel 2 Dimmer	Red 6 All light
178	RGB Panel 2 - Red 6 fine	000-255.	RGB Panel 2 Dimmer	Red 6 Light slightly
179	RGB Panel 2 - Green 6	000-255.	RGB Panel 2 Dimmer	Green 6 All light
180	RGB Panel 2 - Green 6 fine	000-255.	RGB Panel 2 Dimmer	Green 6 Light slightly
181	RGB Panel 2 - Blue 6	000-255.	RGB Panel 2 Dimmer	Blue 6 All light
182	RGB Panel 2 - Blue 6 fine	000-255.	RGB Panel 2 Dimmer	Blue 6 Light slightly
183	RGB Panel 3 - Shutter	000-019	Shutter close	Shutter close
		020-024	Shutter open	Shutter Open
		025-064	Strobe 1 (fast → slow)	Strobe 1 (fast → slow)
		065-069	Shutter open	Shutter Open
		070-084	Strobe 2: opening pulse (fast → slow)	Strobe 2: Opening pulse (fast → slow)
		085-089	Shutter open	Shutter open
		090-104	Strobe 3: closing pulse (fast → slow)	Strobe 3: Closing pulse (fast → slow)
		105-109	Shutter open	Shutter Open
		110-124	Strobe 4: random strobe (fast → slow)	Strobe 4: random strobe
		125-129	Shutter open	Shutter Open
		130-144	Strobe 5: random opening pulse (fast → slow)	Strobe 5: Random opening pulse (fast → slow)

		145-149	Shutter open	Shutter Open
		150-164	Strobe 6:random closing pulse (fast → slow)	Strobe 6: Random closing pulse (fast → slow)
		165-169	Shutter open	Shutter Open
		170-184	Strobe 7: burst pulse (fast → slow)	Strobe 7: Burst pulse (fast → slow)
		185-189	Shutter open	Shutter Open
		190-204	Strobe 8: random burst pulse (fast → slow)	Strobe 8: Random burst pulse (fast → slow)
		205-209	Shutter open	Shutter Open
		210-224	Strobe 9:sine wave (fast → slow)	Strobe 9: Sine wave (fast → slow)
		225-229	Shutter open	Shutter Open
		230-244	Strobe 10: burst (fast → slow)	Strobe 10: Burst (fast → slow)
		245-255	Shutter open	Shutter open
184	RGB Panel 3 - Duration	000-255.	only affects to Strobe 1 (025-064)	Stroboscopic Special effects
185	RGB Panel 3 - Red 1	000-255.	RGB Panel 2 Dimmer	Red 1 Light all
186	RGB Panel 3 - Red 1 fine	000-255.	RGB panel three dimmers	Red 1 Light slightly
187	RGB Panel 3 - Green 1	000-255.	RGB panel three dimmers	Green 1 Light all
188	RGB Panel 3 - Green 1 fine	000-255.	RGB panel three dimmers	Green 1 Light slightly
189	RGB Panel 3 - Blue 1	000-255.	RGB panel three dimmers	Blue 1 All light
190	RGB Panel 3 - Blue 1 fine	000-255.	RGB panel three dimmers	Blue 1 Slight light
191	RGB Panel 3 - Red 2	000-255.	RGB panel three dimmers	Red 2 All light
192	RGB Panel 3 - Red 2 fine	000-255.	RGB panel three dimmers	Red 2 Light slightly
193	RGB Panel 3 - Green 2	000-255.	RGB panel three dimmers	Green 2 All light
194	RGB Panel 3 - Green 2 fine	000-255.	RGB panel three dimmers	Green 2 Light slightly
195	RGB Panel 3 - Blue 2	000-255.	RGB panel three dimmers	Blue 2 All light
196	RGB Panel 3 - Blue 2 fine	000-255.	RGB panel three dimmers	Blue 2 Light slightly
197	RGB Panel 3 - Red 3	000-255.	RGB panel three dimmers	Red 3 All light
198	RGB Panel 3 - Red 3 fine	000-255.	RGB panel three dimmers	Red 3 Light slightly
199	RGB Panel 3 - Green 3	000-255.	RGB panel three dimmers	Green 3 All light
200	RGB Panel 3 - Green 3 fine	000-255.	RGB panel three dimmers	Green 3 Light slightly
201	RGB Panel 3 - Blue 3	000-255.	RGB panel three dimmers	Blue 3 All bright

202	RGB Panel 3 - Blue 3 fine	000-255.	RGB panel three dimmers	Blue 3 Light up slightly
203	RGB Panel 3 - Red 4	000-255.	RGB panel three dimmers	Red 4 All light
204	RGB Panel 3 - Red 4 fine	000-255.	RGB panel three dimmers	Red 4 Light slightly
205	RGB Panel 3 - Green 4	000-255.	RGB panel three dimmers	Green 4 All light
206	RGB Panel 3 - Green 4 fine	000-255.	RGB panel three dimmers	Green 4 Light slightly
207	RGB Panel 3 - Blue 4	000-255.	RGB panel three dimmers	Blue 4 All light
208	RGB Panel 3 - Blue 4 fine	000-255.	RGB panel three dimmers	Blue 4 Slight light
209	RGB Panel 3 - Red 5	000-255.	RGB panel three dimmers	Red 5 All light
210	RGB Panel 3 - Red 5 fine	000-255.	RGB panel three dimmers	Red 5 Light slightly
211	RGB Panel 3 - Green 5	000-255.	RGB panel three dimmers	Green 5 All light
212	RGB Panel 3 - Green 5 fine	000-255.	RGB panel three dimmers	Green 5 Light slightly
213	RGB Panel 3 - Blue 5	000-255.	RGB panel three dimmers	Blue 5 All light
214	RGB Panel 3 - Blue 5 fine	000-255.	RGB panel three dimmers	Blue 5 Slight light
215	RGB Panel 3 - Red 6	000-255.	RGB panel three dimmers	Red 6 All light
216	RGB Panel 3 - Red 6 fine	000-255.	RGB panel three dimmers	Red 6 Light slightly
217	RGB Panel 3 - Green 6	000-255.	RGB panel three dimmers	Green 6 All on
218	RGB Panel 3 - Green 6 fine	000-255.	RGB panel three dimmers	Green 6 Light slightly
219	RGB Panel 3 - Blue 6	000-255.	RGB panel three dimmers	Blue 6 All light
220	RGB Panel 3 - Blue 6 fine	000-255.	RGB panel three dimmers	Blue 6 Slight light
221	Device Settings (please see remark *1)	000-005.	No function	No function
		006-010.	Display Backlight On (hold 3s)	Display backlight on (hold 3s)
		011-015.	Display Backlight Off (hold 3s)	Display backlight off (hold 3s)
		016-018.	No function	No function
		019-023.	DMX Fail Blackout (hold 3s)	Black field
		024-028.	DMX Fail Hold (hold 3s)	Hold
		029-033.	DMX Fail - Emergency Light (hold 3s)	Full light (only works in color temperature mode)
		034-036.	No function	No function
		037-041.	Linear Dimmer Curve (hold 1,5s)	Linear dimmer curve (Hold)
		042-046.	Exponential Dimmer Curve (hold 1,5s)	Exponential dimmer curve
		047-051.	Logarithmic Dimmer Curve (hold 1,5s)	Logarithmic dimmer curve
		052-056.	S-curve Dimmer Curve (hold 1,5s)	S-curve (hold 1, 5)
057-061.	No function	No function		

	062-066.	LED (Fast) Dimmer Response (hold 1,5s)	No delay
	067-071.	Medium Dimmer Response (hold 1,5s)	Medium dimmer response delay
	072-076.	Halogen(Slow) Dimmer Response (hold 1,5s)	Halogen dimmer Response
	077-080.	No function	No function
	081-085.	Full Calibration (Colors & CCT / hold 3s)	Primary color correction on
	086-090.	CCT Calibration (RAW Colors / hold 3s)	Turn off primary colors correction
	091-093.	No function	No function
	094-098.	LED Frequency 800Hz (hold 3s)	LED frequency 800Hz
	099-103.	LED Frequency 1200Hz (hold 3s)	LED frequency 1200Hz
	104-108.	LED Frequency 2000Hz (hold 3s)	LED frequency 2000Hz (hold 3s)
	109-113.	LED Frequency 3600Hz (hold 3s)	LED frequency 3600Hz
	114-118.	LED Frequency 12kHz (hold 3s)	LED frequency 12kHz (hold 3s)
	119-123.	LED Frequency 25kHz (hold 3s)	LED frequency 25kHz (hold 3s)
	124-126.	No function	No function
	127-131.	Fan Auto (hold 3s)	Fan Auto (Hold 3S)
	132-136.	Fan Silent (hold 3s)	Fan Silent (hold 3s)
	137-141.	Fan Off (hold 3s)	Fan Off (hold 3s)
	142-146.	Fan High Power (hold 3s)	Fan High Power (hold 3s)
	147-149.	No function	No function
	150-153.	Invert RGB Panel 1 Off (hold 1,5s)	Invert RGB Panel 1 Off
	154-157.	Invert RGB Panel 1 On (hold 1,5s)	Invert RGB Panel 1 On (hold 1
	158-161.	Invert RGB Panel 2 Off (hold 1,5s)	Invert RGB Panel 2 off
	162-165.	Invert RGB Panel 2 On (hold 1,5s)	Invert RGB Panel 2 on (hold 1, 5 s
	166-169.	Invert RGB Panel 3 Off (hold 1,5s)	Invert RGB panel 3 off
	170-173.	Invert RGB Panel 3 On (hold 1,5s)	Invert RGB Panel 3 on (hold 1, 5 s
	174-177.	Invert Single Tube 1 Off (hold 1,5s)	Invert single tube 1 Off (hold 1 s)
	178-181.	Invert Single Tube 1 On (hold 1,5s)	Invert single tube 1 On (hold 1 s)
	182-185.	Invert Single Tube 2 Off (hold 1,5s)	Invert single tube 2 off (hold 1 s)
	186-189.	Invert Single Tube 2 On (hold 1,5s)	Invert single tube 2 on (hold 1 5 s)
	190-193.	Invert Single Tube 3 Off (hold 1,5s)	Invert single tube 3 off (hold 1, 5 s)
	194-197.	Invert Single Tube 3 On (hold 1,5s)	Invert single tube 3 on (hold 1 5 s)

		198-201.	Invert Single Tube 4 Off (hold 1,5s)	Invert single tube 4 off (hold 1 5 s)
		202-205.	Invert Single Tube 4 On (hold 1,5s)	Invert single tube 4 on (hold 1 5 s)
		206-209.	Swap RGB Panels Off (hold 1,5s)	Swap RGB panels off
		210-213.	Swap RGB Panels On (hold 1,5s)	Swap RGB panels on
		214-217.	Swap Single Tubes Off (hold 1,5s)	Swap single tubes off
		218-221.	Swap Single Tubes On (hold 1,5s)	Swap single tubes on (hold 1
		222-224.	No function	No function
		225-229.	LED Mode - Illumination (hold 1,5s)	Low power mode
		230-234.	LED Mode-Boost (hold 1,5s)	High power mode
		235-237.	No function	No function
		238-242.	Factory Reset (hold 3s)	Factory reset (Hold 3s)
		243-247.	User Reset (hold 3s)	User reset (hold 3s)
		248-255.	No function	No function

Channel	Full Access Mode 188 Ch			Default
1	Master Dimmer	000-255.	Master dimmer	General tone
2	Single Tube 1 - Pixel 1 - Intensity	000-255.	Single tube one dimmer	A length of dimming
3	Single Tube 1 - Pixel 2 - Intensity	000-255.	Single tube one dimmer	Second dimmer
4	Single Tube 1 - Pixel 3 - Intensity	000-255.	Single tube one dimmer	Three dimmers
5	Single Tube 1 - Pixel 4 - Intensity	000-255.	Single tube one dimmer	Four dimmers
6	Single Tube 1 - Pixel 5 - Intensity	000-255.	Single tube one dimmer	Five dimmers
7	Single Tube 1 - Pixel 6 - Intensity	000-255.	Single tube one dimmer	Six dimmers
8	Single Tube 1 - Pixel 7 - Intensity	000-255.	Single tube one dimmer	Seven dimmers
9	Single Tube 1 - Pixel 8 - Intensity	000-255.	Single tube one dimmer	Eight dimmers
10	Single Tube 1 - Pixel 9 - Intensity	000-255.	Single tube, one dimmer	Nine dimmers
11	Single Tube 1 - Pixel 10 - Intensity	000-255.	Single tube one dimmer	Ten dimmers
12	Single Tube 1 - Pixel 11 - Intensity	000-255.	Single tube one dimmer	Eleven dimmers
13	Single Tube 1 - Pixel 12 - Intensity	000-255.	Single tube one dimmer	Twelve segments dimming
14	Single Tube 1 - Shutter	000-019	Shutter close	Shutter close
		020-024	Shutter open	Shutter Open
		025-064	Strobe 1 (fast → slow)	Strobe 1 (fast → slow)
		065-069	Shutter open	Shutter Open

		070-084	Strobe 2: opening pulse (fast → slow)	Strobe 2: Opening pulse (fast → slow)
		085-089	Shutter open	Shutter Open
		090-104	Strobe 3: closing pulse (fast → slow)	Strobe 3: Closing pulse (fast → slow)
		105-109	Shutter open	Shutter Open
		110-124	Strobe 4: random strobe (fast → slow)	Strobe 4: random strobe
		125-129	Shutter open	Shutter open
		130-144	Strobe 5: random opening pulse (fast → slow)	Strobe 5: Random opening pulse (fast → slow)
		145-149	Shutter open	Shutter Open
		150-164	Strobe 6: random closing pulse (fast → slow)	Strobe 6: Random closing pulse (fast → slow)
		165-169	Shutter open	Shutter Open
		170-184	Strobe 7: burst pulse (fast → slow)	Strobe 7: Burst pulse (fast → slow)
		185-189	Shutter open	Shutter Open
		190-204	Strobe 8: random burst pulse (fast → slow)	Stroboscopic 8: Random burst (fast to slow)
		205-209	Shutter open	Shutter Open
		210-224	Strobe 9: sine wave (fast → slow)	Strobe 9: Sine wave (fast → slow)
		225-229	Shutter open	Shutter Open
		230-244	Strobe 10: burst (fast → slow)	Strobe 10: Burst (fast → slow)
		245-255	Shutter open	Shutter Open
15	Single Tube 1 - Duration	000-255.	only affects to Strobe 1 (025-064)	Stroboscopic Special effects
16	Single Tube 1 - Pattern Dimmer	000-255.	Single tube one dimmer	General tone
17	Single Tube 1 - Pattern selection	000-005.	No Function	No function
		006-255.	Single tube setting	Pattern selection
18	Single Tube 1 - Pattern selection X-fade	000-005	no function	No function
		006-255.	1s - 250s (1s steps)	Time for the first mode to switch to the next mode
19	Single Tube 1 - Pattern speed	000-005.	No Function	No function
		006-124.	Left to Right / Fast to slow	Left to right/fast to slow
		125-130.	No Function	No function
		131-249.	Right to Left / Slow to fast	Right to left/Slow to fast
		250-255.	No Function	No function
20	Single Tube 1 - Pattern X-fade	000-005.	Snap from cell to cell	Snap from cell to cell
		006-255.	Fade Duration short to long	Fade duration short to long
21	Single Tube 1 - Pattern Space	000-041.	1-Segment Space	1 - Segment space
		042-084.	2-Segment Spaces	2 - Segment Spaces
		085-127.	3-Segment Spaces	3 - Segment Spaces
		128-170.	4-Segment Spaces	4-segment space

		171-213.	5-Segment Spaces	5 - Segment Spaces
		214-255.	6-Segment Spaces	6 - Segment Spaces
22	Single Tube 2 - Pixel 1 - Intensity	000-255.	Single tube 2 Dimmer	A length of dimming
23	Single Tube 2 - Pixel 2 - Intensity	000-255.	Single tube 2 Dimmer	Second stage dimming
24	Single Tube 2 - Pixel 3 - Intensity	000-255.	Single tube 2 Dimmer	Three dimmers
25	Single Tube 2 - Pixel 4 - Intensity	000-255.	Single tube 2 Dimmer	Four dimmers
26	Single Tube 2 - Pixel 5 - Intensity	000-255.	Single tube 2 Dimmer	Five dimmers
27	Single Tube 2 - Pixel 6 - Intensity	000-255.	Single tube 2 Dimmer	Six dimmers
28	Single Tube 2 - Pixel 7 - Intensity	000-255.	Single tube 2 Dimmer	Seven dimmers
29	Single Tube 2 - Pixel 8 - Intensity	000-255.	Single tube 2 Dimmer	Eight dimmers
30	Single Tube 2 - Pixel 9 - Intensity	000-255.	Single tube 2 Dimmer	Nine dimmers
31	Single Tube 2 - Pixel 10 - Intensity	000-255.	Single tube 2 Dimmer	Ten dimmers
32	Single Tube 2 - Pixel 11 - Intensity	000-255.	Single tube 2 Dimmer	Eleven dimmers
33	Single Tube 2 - Pixel 12 - Intensity	000-255.	Single tube 2 Dimmer	Twelve dimmers
34	Single Tube 2 - Shutter	000-019	Shutter close	Shutter close
		020-024	Shutter open	Shutter Open
		025-064	Strobe 1 (fast → slow)	Strobe 1 (fast → slow)
		065-069	Shutter open	Shutter open
		070-084	Strobe 2: opening pulse (fast → slow)	Strobe 2: Opening pulse (fast → slow)
		085-089	Shutter open	Shutter Open
		090-104	Strobe 3: closing pulse (fast → slow)	Strobe 3: Closing pulse (fast → slow)
		105-109	Shutter open	Shutter Open
		110-124	Strobe 4: random strobe (fast → slow)	Strobe 4: random strobe
		125-129	Shutter open	Shutter Open
		130-144	Strobe 5: random opening pulse (fast → slow)	Strobe 5: Random opening pulse (fast → slow)
		145-149	Shutter open	Shutter Open
		150-164	Strobe 6: random closing pulse (fast → slow)	Strobe 6: Random closing pulse (fast → slow)
165-169	Shutter open	Shutter Open		
170-184	Strobe 7: burst pulse (fast → slow)	Strobe 7: Burst pulse (fast → slow)		

		185-189	Shutter open	Shutter Open
		190-204	Strobe 8: random burst pulse (fast → slow)	Strobe 8: Random burst pulse (fast → slow)
		205-209	Shutter open	Shutter Open
		210-224	Strobe 9: sine wave (fast → slow)	Strobe 9: Sine wave (fast → slow)
		225-229	Shutter open	Shutter open
		230-244	Strobe 10: burst (fast → slow)	Strobe 10: Burst (fast → slow)
		245-255	Shutter open	Shutter Open
35	Single Tube 2 - Duration	000-255.	only affects to Strobe 1 (025-064)	Stroboscopic Special effects
36	Single Tube 2 - Pattern Dimmer	000-255.	Single tube 2 Dimmer	General theme
37	Single Tube 2 - Pattern selection	000-005.	No Function	No function
		006-255.	Single tube fix	Pattern selection
38	Single Tube 2 - Pattern selection X-fade	000-005	no function	No function
		006-255.	1s - 250s (1s steps)	The time the first mode switches to the next mode
39	Single Tube 2 - Pattern speed	000-005.	No Function	No function
		006-124.	Left to Right / Fast to slow	Left to right/fast to slow
		125-130.	No Function	No function
		131-249.	Right to Left / Slow to fast	Right to left/Slow to fast
		250-255.	No Function	No function
40	Single Tube 2 - Pattern X-fade	000-005.	Snap from cell to cell	Snap from cell to cell
		006-255.	Fade Duration short to long	Fade duration short to long
41	Single Tube 2 - Pattern Space	000-041.	1-Segment Space	1 - Segment space
		042-084.	2-Segment Spaces	2 - Segment Spaces
		085-127.	3-Segment Spaces	3 - Segment Spaces
		128-170.	4-Segment Spaces	4 - Segment Spaces
		171-213.	5-Segment Spaces	5 - Segment Spaces
		214-255.	6-Segment Spaces	6 - Segment Spaces
42	Single Tube 3 - Pixel 1 - Intensity	000-255.	Single tube three dimmers	A length of dimming
43	Single Tube 3 - Pixel 2 - Intensity	000-255.	Single tube three dimmers	Second dimmer
44	Single Tube 3 - Pixel 3 - Intensity	000-255.	Single tube three dimmers	Three dimmers
45	Single Tube 3 - Pixel 4 - Intensity	000-255.	Single tube three dimming	Four dimmers
46	Single Tube 3 - Pixel 5 - Intensity	000-255.	Single tube three dimmers	Five dimmers
47	Single Tube 3 - Pixel 6 - Intensity	000-255.	Single tube three dimmers	Six dimmers
48	Single Tube 3 - Pixel 7 - Intensity	000-255.	Single tube three dimmers	Seven stages of dimming

49	Single Tube 3 - Pixel 8 - Intensity	000-255.	Single tube three dimmers	Eight dimmers
50	Single Tube 3 - Pixel 9 - Intensity	000-255.	Single tube three dimmers	Nine dimmers
51	Single Tube 3 - Pixel 10 - Intensity	000-255.	Single tube three dimmers	Ten dimmers
52	Single Tube 3 - Pixel 11 - Intensity	000-255.	Single tube three dimmers	Eleven dimmers
53	Single Tube 3 - Pixel 12 - Intensity	000-255.	Single tube three dimmers	Twelve dimmers
54	Single Tube 3 - Shutter	000-019	Shutter close	Shutter close
		020-024	Shutter open	Shutter Open
		025-064	Strobe 1 (fast → slow)	Strobe 1 (fast → slow)
		065-069	Shutter open	Shutter Open
		070-084	Strobe 2: opening pulse (fast → slow)	Strobe 2: Opening pulse (fast → slow)
		085-089	Shutter open	Shutter Open
		090-104	Strobe 3: closing pulse (fast → slow)	Stroboscopic 3: Pulse off (fast to slow)
		105-109	Shutter open	Shutter Open
		110-124	Strobe 4: random strobe (fast → slow)	Strobe 4: random strobe
		125-129	Shutter open	Shutter Open
		130-144	Strobe 5: random opening pulse (fast → slow)	Strobe 5: Random opening pulse (fast → slow)
		145-149	Shutter open	Shutter Open
		150-164	Strobe 6: random closing pulse (fast → slow)	Strobe 6: Random closing pulse (fast → slow)
		165-169	Shutter open	Shutter Open
		170-184	Strobe 7: burst pulse (fast → slow)	Strobe 7: Burst pulse (fast → slow)
		185-189	Shutter open	Shutter Open
		190-204	Strobe 8: random burst pulse (fast → slow)	Strobe 8: Random burst pulse (fast → slow)
		205-209	Shutter open	Shutter Open
210-224	Strobe 9: sine wave (fast → slow)	Strobe 9: Sine wave (fast → slow)		
225-229	Shutter open	Shutter Open		
230-244	Strobe 10: burst (fast → slow)	Strobe 10: Burst (fast → slow)		
245-255	Shutter open	Shutter Open		
55	Single Tube 3 - Duration	000-255.	only affects to Strobe 1 (025-064)	Stroboscopic Special effects
56	Single Tube 3 - Pattern Dimmer	000-255.	Single tube three dimmers	General modulation
57	Single Tube 3 - Pattern selection	000-005.	No Function	No function
		006-255.	Single tube fix	Pattern selection
58		000-005	no function	No function

	Single Tube 3 - Pattern selection X- fade	006-255.	1s - 250s (1s steps)	Time for the first mode to switch to the next mode
59	Single Tube 3 - Pattern speed	000-005.	No Function	No function
		006-124.	Left to Right / Fast to slow	Left to right/fast to slow
		125-130.	No Function	No function
		131-249.	Right to Left / Slow to fast	Right to left/Slow to fast
		250-255.	No Function	No function
60	Single Tube 3 - Pattern X-fade	000-005.	Snap from cell to cell	Snap from cell to cell
		006-255.	Fade Duration short to long	Fade duration short to long
61	Single Tube 3 - Pattern Space	000-041.	1-Segment Space	1 - Segment space
		042-084.	2-Segment Spaces	2 - Segment Spaces
		085-127.	3-Segment Spaces	3 - Segment Spaces
		128-170.	4-Segment Spaces	4 - Segment Spaces
		171-213.	5-Segment Spaces	5 - Segment Spaces
		214-255.	6-Segment Spaces	6 - Segment Spaces
62	Single Tube 4 - Pixel 1 - Intensity	000-255.	Single tube four dimmers	A dimmer
63	Single Tube 4 - Pixel 2 - Intensity	000-255.	Single tube four dimmers	Two dimmers
64	Single Tube 4 - Pixel 3 - Intensity	000-255.	Single tube four dimmers	Three dimmers
65	Single Tube 4 - Pixel 4 - Intensity	000-255.	Single tube four dimmers	Four dimmers
66	Single Tube 4 - Pixel 5 - Intensity	000-255.	Single tube four dimmers	Five dimmers
67	Single Tube 4 - Pixel 6 - Intensity	000-255.	Single tube four dimmers	Six dimmers
68	Single Tube 4 - Pixel 7 - Intensity	000-255.	Single tube four dimmers	Seven dimmers
69	Single Tube 4 - Pixel 8 - Intensity	000-255.	Single tube four dimmers	Eight dimmers
70	Single Tube 4 - Pixel 9 - Intensity	000-255.	Single tube four dimmers	Nine dimmers
71	Single Tube 4 - Pixel 10 - Intensity	000-255.	Single tube four dimmers	Ten dimmers
72	Single Tube 4 - Pixel 11 - Intensity	000-255.	Single tube four dimmers	Eleven dimmers
73	Single Tube 4 - Pixel 12 - Intensity	000-255.	Single tube four dimmers	Twelve dimmers
74	Single Tube 4 - Shutter	000-019	Shutter close	Shutter close
		020-024	Shutter open	Shutter Open
		025-064	Strobe 1 (fast → slow)	Strobe 1 (fast → slow)
		065-069	Shutter open	Shutter Open
		070-084	Strobe 2: opening pulse (fast → slow)	Strobe 2: Opening pulse (fast → slow)

		085-089	Shutter open	Shutter Open
		090-104	Strobe 3: closing pulse (fast → slow)	Strobe 3: Closing pulse (fast → slow)
		105-109	Shutter open	Shutter Open
		110-124	Strobe 4: random strobe (fast → slow)	Strobe 4: random strobe
		125-129	Shutter open	Shutter Open
		130-144	Strobe 5: random opening pulse (fast → slow)	Strobe 5: Random opening pulse (fast → slow)
		145-149	Shutter open	Shutter Open
		150-164	Strobe 6: random closing pulse (fast → slow)	Stroboscopic 6: Random off pulse (fast to slow)
		165-169	Shutter open	Shutter Open
		170-184	Strobe 7: burst pulse (fast → slow)	Strobe 7: Burst pulse (fast → slow)
		185-189	Shutter open	Shutter Open
		190-204	Strobe 8: random burst pulse (fast → slow)	Strobe 8: Random burst pulse (fast → slow)
		205-209	Shutter open	Shutter Open
		210-224	Strobe 9: sine wave (fast → slow)	Strobe 9: Sine wave (fast → slow)
		225-229	Shutter open	Shutter Open
		230-244	Strobe 10: burst (fast → slow)	Strobe 10: Burst (fast → slow)
		245-255	Shutter open	Shutter Open
75	Single Tube 4 - Duration	000-255.	only affects to Strobe 1 (025-064)	Stroboscopic special effects
76	Single Tube 4 - Pattern Dimmer	000-255.	Single tube four dimmers	General modulation
77	Single Tube 4 - Pattern selection	000-005.	No Function	No function
		006-255.	Single tube fix	Pattern selection
78	Single Tube 4 - Pattern selection X-fade	000-005	no function	No function
		006-255.	1s - 250s (1s steps)	Time for the first mode to switch to the next mode
79	Single Tube 4 - Pattern speed	000-005.	No Function	No function
		006-124.	Left to Right / Fast to slow	Left to right/fast to slow
		125-130.	No Function	non-function
		131-249.	Right to Left / Slow to fast	Right to left/Slow to fast
		250-255.	No Function	No function
80	Single Tube 4 - Pattern X-fade	000-005.	Snap from cell to cell	Snap from cell to cell
		006-255.	Fade Duration short to long	Fade duration short to long
81	Single Tube 4 - Pattern Space	000-041.	1-Segment Space	1 - Segment space
		042-084.	2-Segment Spaces	2 - Segment Spaces
		085-127.	3-Segment Spaces	3 - Segment Spaces
		128-170.	4-Segment Spaces	4 - Segment Spaces
		171-213.	5-Segment Spaces	5 - Segment Spaces
		214-255.	6-Segment Spaces	6 - Segment Spaces

82	Single Tube Group (1-4) - Pattern Dimmer	000-255.	Single tube 1-4 total dimming	Master Dimmer
83	Single Tube Group (1-4) - Pattern selection	000-005.	No Function	No function
		006-255.	according to Tube Group Pattern Chart	Dynamic pattern Selection
84	Single Tube Group (1-4) - Pattern selection X-fade	000-005	no function	No function
		006-255.	1s - 250s (1s steps)	Time for the first mode to switch to the next mode
85	Single Tube Group (1-4) - Pattern speed	000-005.	No Function	No function
		006-124.	Left to Right / Fast to slow	Left to right/fast to slow
		125-130.	No Function	No function
		131-249.	Right to Left / Slow to fast	Right to left/Slow to fast
		250-255.	No Function	No function
86	Single Tube Group (1-4) - Pattern X-fade	000-005.	Snap from cell to cell	Snap from cell to cell
		006-255.	Fade Duration short to long	The duration is short to long
87	Single Tube Group (1-4) - Pattern Space	000-041.	1-Segment Space	1 - Segment space
		042-084.	2-Segment Spaces	2 - Segment Spaces
		085-127.	3-Segment Spaces	3 - Segment Spaces
		128-170.	4-Segment Spaces	4 - Segment Spaces
		171-213.	5-Segment Spaces	5 - Segment Spaces
		214-255.	6-Segment Spaces	6 - Segment Spaces
88	RGB Panel 1 - Shutter	000-019	Shutter close	Shutter close
		020-024	Shutter open	Shutter Open
		025-064	Strobe 1 (fast → slow)	Strobe 1 (fast → slow)
		065-069	Shutter open	Shutter Open
		070-084	Strobe 2: opening pulse (fast → slow)	Strobe 2: Opening pulse (fast → slow)
		085-089	Shutter open	Shutter Open
		090-104	Strobe 3: closing pulse (fast → slow)	Strobe 3: Closing pulse (fast → slow)
		105-109	Shutter open	Shutter Open
		110-124	Strobe 4: random strobe (fast → slow)	Strobe 4: random strobe
		125-129	Shutter open	Shutter Open
		130-144	Strobe 5: random opening pulse (fast → slow)	Strobe 5: Random opening pulse (fast → slow)
		145-149	Shutter open	Shutter Open
		150-164	Strobe 6: random closing pulse (fast → slow)	Strobe 6: Random closing pulse (fast → slow)
		165-169	Shutter open	Shutter open
		170-184	Strobe 7: burst pulse (fast → slow)	Strobe 7: Burst pulse (fast → slow)
		185-189	Shutter open	Shutter Open
190-204	Strobe 8: random burst pulse (fast → slow)	Strobe 8: Random burst pulse (fast → slow)		
205-209	Shutter open	Shutter Open		

		210-224	Strobe 9:sine wave (fast → slow)	Stroboscopic 9: Sine wave (fast to slow)
		225-229	Shutter open	Shutter Open
		230-244	Strobe 10: burst (fast → slow)	Strobe 10: Burst (fast → slow)
		245-255	Shutter open	Shutter Open
89	RGB Panel 1 - Duration	000-255.	only affects to Strobe 1 (025-064)	Stroboscopic Special effects
90	RGB Panel 1 - Pattern Dimmer	000-255.	RGB Panel one dimmer	General Tone
91	RGB Panel 1 - Pattern selection	000-005.	No Function	No function
		006-255.	RGB panel certain value	Mode selection
92	RGB Panel 1 - Pattern selection X-fade	000-005	no function	non-function
		006-255.	1s - 250s (1s steps)	Time for the first mode to switch to the next mode
93	RGB Panel 1 - Pattern speed	000-005.	No Function	No function
		006-124.	Left to Right / Fast to slow	Left to right/fast to slow
		125-130.	No Function	No function
		131-249.	Right to Left / Slow to fast	Right to left/Slow to fast
		250-255.	No Function	No function
94	RGB Panel 1 - Pattern X-fade	000-005.	Snap from cell to cell	Snap from cell to cell
		006-255.	Fade Duration short to long	Fade duration short to long
95	RGB Panel 1 - Pattern Space	000-041.	1-Segment Space	1 - Segment space
		042-084.	2-Segment Spaces	2 - Segment Spaces
		085-127.	3-Segment Spaces	3 - Segment Spaces
		128-170.	4-Segment Spaces	4 - Segment Spaces
		171-213.	5-Segment Spaces	5 - Segment Spaces
		214-255.	6-Segment Spaces	6-segment space
96	RGB Panel 1 - Pattern Red	000-255.	RGB Panel one dimmer	red
97	RGB Panel 1 - Pattern Green	000-255.	RGB Panel one dimmer	green
98	RGB Panel 1 - Pattern Blue	000-255.	RGB Panel one dimmer	blue
99	RGB Panel 1 - CTC	000-004	7000K	Color temperature 7000K
		005-226.	2000K-6500K linear in 20-21K steps (please see detailed CTC chart)	Add 100K color temperature for every 5 DMX values
		182-182.	5600K	Color temperature 5600K
		226-226.	6500K	Color temperature 6500K
		227-255.	6621K-10.000K linear in 120-121K steps (please see detailed CTC chart)	Each DMX value increases the color temperature by 120K
100	RGB Panel 1 - Red 1	000-255.	RGB Panel one dimmer	Red 1
101	RGB Panel 1 - Green 1	000-255.	RGB Panel one dimmer	Green 1
102	RGB Panel 1 - Blue 1	000-255.	RGB Panel one dimmer	Blue 1
103	RGB Panel 1 - Red 2	000-255.	RGB Panel one dimmer	Red 2

104	RGB Panel 1 - Green 2	000-255.	RGB Panel one dimmer	Green 2
105	RGB Panel 1 - Blue 2	000-255.	RGB Panel one dimmer	Blue 2
106	RGB Panel 1 - Red 3	000-255.	RGB Panel one dimmer	Red 3
107	RGB Panel 1 - Green 3	000-255.	RGB Panel one dimmer	Green 3
108	RGB Panel 1 - Blue 3	000-255.	RGB Panel one dimmer	Blue 3
109	RGB Panel 1 - Red 4	000-255.	RGB Panel one dimmer	Red 4
110	RGB Panel 1 - Green 4	000-255.	RGB Panel one dimmer	Green 4
111	RGB Panel 1 - Blue 4	000-255.	RGB Panel one dimmer	Blue 4
112	RGB Panel 1 - Red 5	000-255.	RGB panel a dimmer	Red 5
113	RGB Panel 1 - Green 5	000-255.	RGB Panel one dimmer	Green 5
114	RGB Panel 1 - Blue 5	000-255.	RGB Panel one dimmer	Blue 5
115	RGB Panel 1 - Red 6	000-255.	RGB Panel one dimmer	Red 6
116	RGB Panel 1 - Green 6	000-255.	RGB Panel one dimmer	Green 6
117	RGB Panel 1 - Blue 6	000-255.	RGB Panel one dimmer	Blue 6
118	RGB Panel 2 - Shutter	000-019	Shutter close	Shutter close
		020-024	Shutter open	Shutter Open
		025-064	Strobe 1 (fast → slow)	Strobe 1 (fast → slow)
		065-069	Shutter open	Shutter Open
		070-084	Strobe 2: opening pulse (fast → slow)	Strobe 2: Opening pulse (fast → slow)
		085-089	Shutter open	Shutter Open
		090-104	Strobe 3: closing pulse (fast → slow)	Strobe 3: Closing pulse (fast → slow)
		105-109	Shutter open	Shutter Open
		110-124	Strobe 4: random strobe (fast → slow)	Strobe 4: random strobe
		125-129	Shutter open	Shutter Open
		130-144	Strobe 5: random opening pulse (fast → slow)	Strobe 5: Random opening pulse (fast → slow)
		145-149	Shutter open	Shutter open
		150-164	Strobe 6: random closing pulse (fast → slow)	Strobe 6: Random closing pulse (fast → slow)
		165-169	Shutter open	Shutter Open
		170-184	Strobe 7: burst pulse (fast → slow)	Strobe 7: Burst pulse (fast → slow)
		185-189	Shutter open	Shutter Open
190-204	Strobe 8: random burst pulse (fast → slow)	Strobe 8: Random burst pulse (fast → slow)		
205-209	Shutter open	Shutter Open		
210-224	Strobe 9: sine wave (fast → slow)	Strobe 9: Sine wave (fast → slow)		

		225-229	Shutter open	Shutter Open
		230-244	Strobe 10: burst (fast → slow)	Strobe 10: Burst (fast → slow)
		245-255	Shutter open	Shutter Open
119	RGB Panel 2 - Duration	000-255.	only affects to Strobe 1 (025-064)	Stroboscopic Special effects
120	RGB Panel 2 - Pattern Dimmer	000-255.	RGB Panel 2 Dimmer	General Dimmer
121	RGB Panel 2 - Pattern selection	000-005.	No Function	No function
		006-255.	RGB panel binary	Pattern selection
122	RGB Panel 2 - Pattern selection X-fade	000-005	no function	No function
		006-255.	1s - 250s (1s steps)	Time for the first mode to switch to the next mode
123	RGB Panel 2 - Pattern speed	000-005.	No Function	No function
		006-124.	Left to Right / Fast to slow	From left to right/from fast to slow
		125-130.	No Function	No function
		131-249.	Right to Left / Slow to fast	Right to left/Slow to fast
124	RGB Panel 2 - Pattern X-fade	250-255.	No Function	No function
		000-005.	Snap from cell to cell	Snap from cell to cell
		006-255.	Fade Duration short to long	Fade duration short to long
		000-041.	1-Segment Space	1 - Segment space
125	RGB Panel 2 - Pattern Space	042-084.	2-Segment Spaces	2 - Segment Spaces
		085-127.	3-Segment Spaces	3 - Segment Spaces
		128-170.	4-Segment Spaces	4 - Segment Spaces
		171-213.	5-Segment Spaces	5 - Segment Spaces
		214-255.	6-Segment Spaces	6 - Segment Spaces
		000-255.	RGB Panel 2 Dimmer	red
126	RGB Panel 2 - Pattern Red	000-255.	RGB Panel 2 Dimmer	red
127	RGB Panel 2 - Pattern Green	000-255.	RGB Panel 2 Dimmer	green
128	RGB Panel 2 - Pattern Blue	000-255.	RGB Panel 2 Dimmer	blue
129	RGB Panel 2 - CTC	000-004	7000K	Color temperature 7000K
		005-226.	2000K-6500K linear in 20-21K steps (please see detailed CTC chart)	Add 100K color temperature for every 5 DMX values
		182-182.	5600K	Color temperature 5600K
		226-226.	6500K	Color temperature 6500K
		227-255.	6621K-10.000K linear in 120-121K steps (please see detailed CTC chart)	Add 120K color temperature for each DMX value
130	RGB Panel 2 - Red 1	000-255.	RGB Panel 2 Dimmer	Red 1
131	RGB Panel 2 - Green 1	000-255.	RGB Panel 2 Dimmer	Green 1
132	RGB Panel 2 - Blue 1	000-255.	RGB Panel 2 Dimmer	Blue 1
133	RGB Panel 2 - Red 2	000-255.	RGB Panel 2 Dimmer	Red 2

134	RGB Panel 2 - Green 2	000-255.	RGB Panel 2 Dimmer	Green 2
135	RGB Panel 2 - Blue 2	000-255.	RGB Panel 2 Dimmer	Blue 2
136	RGB Panel 2 - Red 3	000-255.	RGB Panel 2 Dimmer	Red 3
137	RGB Panel 2 - Green 3	000-255.	RGB Panel 2 Dimmer	Green 3
138	RGB Panel 2 - Blue 3	000-255.	RGB Panel 2 Dimmer	Blue 3
139	RGB Panel 2 - Red 4	000-255.	RGB Panel 2 Dimmer	Red 4
140	RGB Panel 2 - Green 4	000-255.	RGB Panel 2 Dimmer	Green 4
141	RGB Panel 2 - Blue 4	000-255.	RGB panel two dimming	Blue 4
142	RGB Panel 2 - Red 5	000-255.	RGB Panel 2 Dimmer	Red 5
143	RGB Panel 2 - Green 5	000-255.	RGB Panel 2 Dimmer	Green 5
144	RGB Panel 2 - Blue 5	000-255.	RGB Panel 2 Dimmer	Blue 5
145	RGB Panel 2 - Red 6	000-255.	RGB Panel 2 Dimmer	Red 6
146	RGB Panel 2 - Green 6	000-255.	RGB Panel 2 Dimmer	Green 6
147	RGB Panel 2 - Blue 6	000-255.	RGB Panel 2 Dimmer	Blue 6
148	RGB Panel 3 - Shutter	000-019	Shutter close	Shutter close
		020-024	Shutter open	Shutter Open
		025-064	Strobe 1 (fast → slow)	Strobe 1 (fast → slow)
		065-069	Shutter open	Shutter Open
		070-084	Strobe 2: opening pulse (fast → slow)	Strobe 2: Opening pulse (fast → slow)
		085-089	Shutter open	Shutter Open
		090-104	Strobe 3: closing pulse (fast → slow)	Strobe 3: Closing pulse (fast → slow)
		105-109	Shutter open	Shutter Open
		110-124	Strobe 4: random strobe (fast → slow)	Strobe 4: random strobe
		125-129	Shutter open	Shutter Open
		130-144	Strobe 5: random opening pulse (fast → slow)	Strobe 5: Random opening pulse (fast → slow)
		145-149	Shutter open	Shutter Open
		150-164	Strobe 6: random closing pulse (fast → slow)	Stroboscopic 6: Random off pulse (fast to slow)
		165-169	Shutter open	Shutter Open
		170-184	Strobe 7: burst pulse (fast → slow)	Strobe 7: Burst pulse (fast → slow)
		185-189	Shutter open	Shutter Open
		190-204	Strobe 8: random burst pulse (fast → slow)	Strobe 8: Random burst pulse (fast → slow)
205-209	Shutter open	Shutter Open		
210-224	Strobe 9: sine wave (fast → slow)	Strobe 9: Sine wave (fast → slow)		

		225-229	Shutter open	Shutter Open
		230-244	Strobe 10: burst (fast → slow)	Strobe 10: Burst (fast → slow)
		245-255	Shutter open	Shutter Open
149	RGB Panel 3 - Duration	000-255.	only affects to Strobe 1 (025-064)	Stroboscopic special effects
150	RGB Panel 3 - Pattern Dimmer	000-255.	RGB panel three dimmers	Total Modulation
151	RGB Panel 3 - Pattern selection	000-005.	No Function	No function
		006-255.	RGB panel three fixed values	Mode selection
152	RGB Panel 3 - Pattern selection X-fade	000-005	no function	No function
		006-255.	1s - 250s (1s steps)	Time for the first mode to switch to the next mode
153	RGB Panel 3 - Pattern speed	000-005.	No Function	No function
		006-124.	Left to Right / Fast to slow	Left to right/fast to slow
		125-130.	No Function	non-function
		131-249.	Right to Left / Slow to fast	Right to left/Slow to fast
		250-255.	No Function	No function
154	RGB Panel 3 - Pattern X-fade	000-005.	Snap from cell to cell	Snap from cell to cell
		006-255.	Fade Duration short to long	Fade duration short to long
155	RGB Panel 3 - Pattern Space	000-041.	1-Segment Space	1 - Segment space
		042-084.	2-Segment Spaces	2 - Segment Spaces
		085-127.	3-Segment Spaces	3 - Segment Spaces
		128-170.	4-Segment Spaces	4 - Segment Spaces
		171-213.	5-Segment Spaces	5 - Segment Spaces
		214-255.	6-Segment Spaces	6 - Segment Spaces
156	RGB Panel 3 - Pattern Red	000-255.	RGB panel three dimmers	red
157	RGB Panel 3 - Pattern Green	000-255.	RGB panel three dimmers	green
158	RGB Panel 3 - Pattern Blue	000-255.	RGB panel three dimmers	blue
159	RGB Panel 3 - CTC	000-004	7000K	Color temperature 7000K
		005-226.	2000K-6500K linear in 20-21K steps (please see detailed CTC chart)	Add 100K color temperature for every 5 DMX values
		182-182.	5600K	Color temperature 5600K
		226-226.	6500K	Color temperature 6500K
		227-255.	6621K-10.000K linear in 120-121K steps (please see detailed CTC chart)	Add 120K color temperature for each DMX value
160	RGB Panel 3 - Red 1	000-255.	RGB panel three dimmers	Red 1
161	RGB Panel 3 - Green 1	000-255.	RGB panel three dimmers	Green 1
162	RGB Panel 3 - Blue 1	000-255.	RGB panel three dimmers	Blue 1
163	RGB Panel 3 - Red 2	000-255.	RGB panel three dimmers	Red 2
164	RGB Panel 3 - Green 2	000-255.	RGB panel three dimmers	Green 2

165	RGB Panel 3 - Blue 2	000-255.	RGB panel three dimmers	Blue 2
166	RGB Panel 3 - Red 3	000-255.	RGB panel three dimmers	Red 3
167	RGB Panel 3 - Green 3	000-255.	RGB panel three dimmers	Green 3
168	RGB Panel 3 - Blue 3	000-255.	RGB panel three dimmers	Blue 3
169	RGB Panel 3 - Red 4	000-255.	RGB panel three dimmers	Red 4
170	RGB Panel 3 - Green 4	000-255.	RGB panel three dimmers	Green 4
171	RGB Panel 3 - Blue 4	000-255.	RGB panel three dimmers	Blue 4
172	RGB Panel 3 - Red 5	000-255.	RGB panel three dimmers	Red 5
173	RGB Panel 3 - Green 5	000-255.	RGB panel three dimmers	Green 5
174	RGB Panel 3 - Blue 5	000-255.	RGB panel three dimmers	Blue 5
175	RGB Panel 3 - Red 6	000-255.	RGB panel three dimmers	Red 6
176	RGB Panel 3 - Green 6	000-255.	RGB panel three dimmers	Green 6
177	RGB Panel 3 - Blue 6	000-255.	RGB panel three dimmers	Blue 6
178	RGB Panel Group (1+3) - Pattern Dimmer	000-255.	RGB1-3 Dimming	General Tone
179	RGB Panel Group (1+3) - Pattern selection	000-005.	No Function	No function
		006-255.	RGB1-3 Dynamic setting	Mode selection
180	RGB Panel Group (1+3) Pattern selection X-fade	000-005	no function	No function
		006-255.	1s - 250s (1s steps)	Time for the first mode to switch to the next mode
181	RGB Panel Group (1+3) - Pattern speed	000-005.	No Function	No function
		006-124.	Left to Right / Fast to slow	Left to right/fast to slow
		125-130.	No Function	No function
		131-249.	Right to Left / Slow to fast	Right to left/Slow to fast
		250-255.	No Function	No function
182	RGB Panel Group (1+3) - Pattern X-fade	000-005.	Snap from cell to cell	Snap from cell to cell
		006-255.	Fade Duration short to long	Fade duration short to long
183	RGB Panel Group (1+3) - Pattern Space	000-041.	1-Segment Space	1 - Segment space
		042-084.	2-Segment Spaces	2 - Segment Spaces
		085-127.	3-Segment Spaces	3 - Segment Spaces
		128-170.	4-Segment Spaces	4 - Segment Spaces
		171-213.	5-Segment Spaces	5 - Segment Spaces
		214-255.	6-Segment Spaces	6 - Segment Spaces
184	RGB Panel Group (1+3) Pattern Red	000-255.	RGB3 Light board background light	red
185	RGB Panel Group (1+3) Pattern Green	000-255.	RGB3 Light board background light	green
186	RGB Panel Group (1+3) Pattern Blue	000-255.	RGB3 Light board background light	blue

187	RGB Panel Group (1+3) - Pattern CTC	000-004	7000K	Color temperature 7000K
		005-226.	2000K-6500K linear in 20-21K steps (please see detailed CTC chart)	Add 100K color temperature for every 5 DMX values
		182-182.	5600K	Color temperature 5600K
		226-226.	6500K	Color temperature 6500K
		227-255.	6621K-10.000K linear in 120-121K steps (please see detailed CTC chart)	Add 120K color temperature for each DMX value
188	Device Settings (please see remark *1)	000-005	No function	No function
		006-010.	Display Backlight On (hold 3s)	Display backlight on (hold 3s)
		011-015.	Display Backlight Off (hold 3s)	Display backlight off (hold 3s)
		016-018.	No function	No function
		019-023.	DMX Fail Blackout (hold 3s)	Black Field
		024-028.	DMX Fail Hold (hold 3s)	Hold
		029-033.	DMX Fail - Emergency Light (hold 3s)	Full light (only works in color temperature mode)
		034-036.	No function	No function
		037-041.	Linear Dimmer Curve (hold 1,5s)	Linear dimmer curve (Hold)
		042-046.	Exponential Dimmer Curve (hold 1,5s)	Exponential dimmer curve
		047-051.	Logarithmic Dimmer Curve (hold 1,5s)	Logarithmic dimmer curve
		052-056.	S-curve Dimmer Curve (hold 1,5s)	S-curve (hold 1, 5)
		057-061.	No function	No function
		062-066.	LED (Fast) Dimmer Response (hold 1,5s)	No delay
		067-071.	Medium Dimmer Response (hold 1,5s)	Medium dimmer response delay
		072-076.	Halogen(Slow) Dimmer Response (hold 1,5s)	Halogen delay
		077-080.	No function	non-function
		081-085.	Full Calibration (Colors & CCT / hold 3s)	Primary color correction on
		086-090.	CCT Calibration (RAW Colors / hold 3s)	Turn off primary colors correction
		091-093.	No function	No function
		094-098.	LED Frequency 800Hz (hold 3s)	LED frequency 800Hz
		099-103.	LED Frequency 1200Hz (hold 3s)	LED frequency 1200Hz
		104-108.	LED Frequency 2000Hz (hold 3s)	LED frequency 2000Hz (hold 3s)
		109-113.	LED Frequency 3600Hz (hold 3s)	LED frequency 3600Hz
		114-118.	LED Frequency 12kHz (hold 3s)	LED frequency 12kHz (hold 3s)
		119-123.	LED Frequency 25kHz (hold 3s)	LED frequency 25kHz (hold 3s)
		124-126.	No function	No function
		127-131.	Fan Auto (hold 3s)	Fan Auto (Hold 3S)
		132-136.	Fan Silent (hold 3s)	Fan Silent (hold 3s)
		137-141.	Fan Off (hold 3s)	Fan Off (hold 3s)
142-146.	Fan High Power (hold 3s)	Fan High Power (hold 3s)		
147-149.	No function	No function		

		150-153.	Invert RGB Panel 1 Off (hold 1,5s)	Invert RGB panel 1 off
		154-157.	Invert RGB Panel 1 On (hold 1,5s)	Invert RGB Panel 1 On (hold 1
		158-161.	Invert RGB Panel 2 Off (hold 1,5s)	Invert RGB Panel 2 off
		162-165.	Invert RGB Panel 2 On (hold 1,5s)	Invert RGB Panel 2 on (hold 1, 5 s
		166-169.	Invert RGB Panel 3 Off (hold 1,5s)	Invert RGB Panel 3 off
		170-173.	Invert RGB Panel 3 On (hold 1,5s)	Invert RGB Panel 3 on (hold 1, 5 s
		174-177.	Invert Single Tube 1 Off (hold 1,5s)	Invert single tube 1 Off (hold 1 s)
		178-181.	Invert Single Tube 1 On (hold 1,5s)	Invert single tube 1 On (hold 1 s)
		182-185.	Invert Single Tube 2 Off (hold 1,5s)	Invert single tube 2 off (hold 1 s)
		186-189.	Invert Single Tube 2 On (hold 1,5s)	Invert single tube 2 on (hold 1 5 s)
		190-193.	Invert Single Tube 3 Off (hold 1,5s)	Invert single tube 3 off (hold 1, 5 s)
		194-197.	Invert Single Tube 3 On (hold 1,5s)	Invert single tube 3 on (hold 1 5 s)
		198-201.	Invert Single Tube 4 Off (hold 1,5s)	Invert single tube 4 off (hold 1 5 s)
		202-205.	Invert Single Tube 4 On (hold 1,5s)	Invert single tube 4 on (hold 1 5 s)
		206-209.	Swap RGB Panels Off (hold 1,5s)	Swap RGB panels off
		210-213.	Swap RGB Panels On (hold 1,5s)	Swap RGB panels on
		214-217.	Swap Single Tubes Off (hold 1,5s)	Switch single tube off
		218-221.	Swap Single Tubes On (hold 1,5s)	Swap single tubes on (hold 1
		222-224.	No function	No function
		225-229.	LED Mode - Illumination (hold 1,5s)	Low power mode
		230-234.	LED Mode-Boost (hold 1,5s)	High power mode
		235-237.	No function	No function
		238-242.	Factory Reset (hold 3s)	Factory reset (Hold 3s)
		243-247.	User Reset (hold 3s)	User reset (hold 3s)
		248-255.	No function	No function

Channel	Full Access Extend Mode 291 Ch			Default
1	Master Dimmer	000-255.	Master dimmer	General theme
2	Master Dimmer fine	000-255.	Trimmer Light	Fine Tuning
3	Single Tube 1 - Pixel 1 - Intensity	000-255.	Single tube one dimmer	One full light
4	Single Tube 1 - Pixel 1 - Intensity fine	000-255.	Single tube one dimmer	A section of microlight

5	Single Tube 1 - Pixel 2 - Intensity	000-255.	Single tube one dimmer	2 section full light
6	Single Tube 1 - Pixel 2 - Intensity fine	000-255.	Single tube one dimmer	Second stage light
7	Single Tube 1 - Pixel 3 - Intensity	000-255.	Single tube one dimmer	Three segments full light
8	Single Tube 1 - Pixel 3 - Intensity fine	000-255.	Single tube one dimmer	Three segments of microlight
9	Single Tube 1 - Pixel 4 - Intensity	000-255.	Single tube one dimmer	Four segments full light
10	Single Tube 1 - Pixel 4 - Intensity fine	000-255.	Single tube one dimmer	Four segments of microlight
11	Single Tube 1 - Pixel 5 - Intensity	000-255.	Single tube one dimmer	Five segments full light
12	Single Tube 1 - Pixel 5 - Intensity fine	000-255.	Single tube one dimmer	Five sections of light
13	Single Tube 1 - Pixel 6 - Intensity	000-255.	Single tube one dimmer	Six segments full light
14	Single Tube 1 - Pixel 6 - Intensity fine	000-255.	Single tube, one dimmer	Six segments of microlight
15	Single Tube 1 - Pixel 7 - Intensity	000-255.	Single tube one dimmer	Seven segments full light
16	Single Tube 1 - Pixel 7 - Intensity fine	000-255.	Single tube one dimmer	Seven sections of microlight
17	Single Tube 1 - Pixel 8 - Intensity	000-255.	Single tube one dimmer	Eight segments are all lit up
18	Single Tube 1 - Pixel 8 - Intensity fine	000-255.	Single tube one dimmer	Eight segments of light
19	Single Tube 1 - Pixel 9 - Intensity	000-255.	Single tube one dimmer	Nine segments full light
20	Single Tube 1 - Pixel 9 - Intensity fine	000-255.	Single tube one dimmer	Nine segment light
21	Single Tube 1 - Pixel 10 - Intensity	000-255.	Single tube one dimmer	Ten segments full light
22	Single Tube 1 - Pixel 10 - Intensity fine	000-255.	Single tube one dimmer	Ten segments of light
23	Single Tube 1 - Pixel 11 - Intensity	000-255.	Single tube one dimmer	Eleven segments full light
24	Single Tube 1 - Pixel 11 - Intensity fine	000-255.	Single tube one dimmer	Eleven microlight
25	Single Tube 1 - Pixel 12 - Intensity	000-255.	Single tube one dimmer	Twelve segments full light
26	Single Tube 1 - Pixel 12 - Intensity fine	000-255.	Single tube one dimmer	Twelve segments of light
27	Single Tube 1 - Shutter	000-019	Shutter close	Shutter close
		020-024	Shutter open	Shutter Open

		025-064	Strobe 1 (fast → slow)	Strobe 1 (fast → slow)
		065-069	Shutter open	Shutter Open
		070-084	Strobe 2: opening pulse (fast → slow)	Strobe 2: Opening pulse (fast → slow)
		085-089	Shutter open	Shutter Open
		090-104	Strobe 3: closing pulse (fast → slow)	Strobe 3: Closing pulse (fast → slow)
		105-109	Shutter open	Shutter Open
		110-124	Strobe 4: random strobe (fast → slow)	Strobe 4: random strobe
		125-129	Shutter open	Shutter Open
		130-144	Strobe 5: random opening pulse (fast → slow)	Stroboscopic 5: Randomly turn on the pulse (fast to slow)
		145-149	Shutter open	Shutter Open
		150-164	Strobe 6: random closing pulse (fast → slow)	Strobe 6: Random closing pulse (fast → slow)
		165-169	Shutter open	Shutter Open
		170-184	Strobe 7: burst pulse (fast → slow)	Strobe 7: Burst pulse (fast → slow)
		185-189	Shutter open	Shutter Open
		190-204	Strobe 8: random burst pulse (fast → slow)	Strobe 8: Random burst pulse (fast → slow)
		205-209	Shutter open	Shutter Open
		210-224	Strobe 9: sine wave (fast → slow)	Strobe 9: Sine wave (fast → slow)
		225-229	Shutter open	Shutter Open
		230-244	Strobe 10: burst (fast → slow)	Strobe 10: Burst (fast → slow)
		245-255	Shutter open	Shutter Open
28	Single Tube 1 - Duration	000-255.	only affects to Strobe 1 (025-064)	Stroboscopic Special effects
29	Single Tube 1 - Pattern Dimmer	000-255.	Single tube one dimmer	General tone
30	Single Tube 1 - Pattern selection	000-005	no function	non-function
		006-255.	Single tube certain value	Pattern selection
31	Single Tube 1 - Pattern selection X-fade	000-005	no function	No function
		006-255.	1s - 250s (1s steps)	Time for the first mode to switch to the next mode
32	Single Tube 1 - Pattern speed	000-005.	No Function	non-function
		006-124.	Left to Right / Fast to slow	Left to right/fast to slow
		125-130.	No Function	No function
		131-249.	Right to Left / Slow to fast	Right to left/Slow to fast
		250-255.	No Function	No function
33	Single Tube 1 - Pattern X-fade	000-005.	Snap from cell to cell	Snap from cell to cell
		006-255.	Fade Duration short to long	Fade duration short to long
34	Single Tube 1 - Pattern Space	000-041.	1-Segment Space	1 - Segment space
		042-084.	2-Segment Spaces	2 - Segment Spaces

		085-127.	3-Segment Spaces	3 - Segment Spaces
		128-170.	4-Segment Spaces	4 - Segment Spaces
		171-213.	5-Segment Spaces	5 - Segment Spaces
		214-255.	6-Segment Spaces	6 - Segment Spaces
35	Single Tube 2 - Pixel 1 - Intensity	000-255.	Single tube 2 Dimmer	One segment full light
36	Single Tube 2 - Pixel 1 - Intensity fine	000-255.	Single tube 2 Dimmer	A section of light
37	Single Tube 2 - Pixel 2 - Intensity	000-255.	Single tube 2 Dimmer	The second stage is fully lit
38	Single Tube 2 - Pixel 2 - Intensity fine	000-255.	Single tube 2 Dimmer	Second segment light
39	Single Tube 2 - Pixel 3 - Intensity	000-255.	Single tube 2 Dimmer	Three segments full light
40	Single Tube 2 - Pixel 3 - Intensity fine	000-255.	Single tube 2 Dimmer	Three sections of microlight
41	Single Tube 2 - Pixel 4 - Intensity	000-255.	Single tube 2 Dimmer	Four segments full light
42	Single Tube 2 - Pixel 4 - Intensity fine	000-255.	Single tube 2 Dimmer	Four segments of microlight
43	Single Tube 2 - Pixel 5 - Intensity	000-255.	Single tube 2 Dimmer	Five segments full light
44	Single Tube 2 - Pixel 5 - Intensity fine	000-255.	Single tube 2 Dimmer	Five sections of light
45	Single Tube 2 - Pixel 6 - Intensity	000-255.	Single tube 2 Dimmer	Six segments full light
46	Single Tube 2 - Pixel 6 - Intensity fine	000-255.	Single tube 2 Dimmer	Six sections of microlight
47	Single Tube 2 - Pixel 7 - Intensity	000-255.	Single tube 2 Dimmer	Seven segments full light
48	Single Tube 2 - Pixel 7 - Intensity fine	000-255.	Single tube 2 Dimmer	Seven section light
49	Single Tube 2 - Pixel 8 - Intensity	000-255.	Single tube 2 Dimmer	Eight segments full light
50	Single Tube 2 - Pixel 8 - Intensity fine	000-255.	Single tube two dimming	Eight segment light
51	Single Tube 2 - Pixel 9 - Intensity	000-255.	Single tube 2 Dimmer	Nine segments full light
52	Single Tube 2 - Pixel 9 - Intensity fine	000-255.	Single tube 2 Dimmer	Nine segment light
53	Single Tube 2 - Pixel 10 - Intensity	000-255.	Single tube 2 Dimmer	Ten segments are all bright
54	Single Tube 2 - Pixel 10 - Intensity fine	000-255.	Single tube 2 Dimmer	Ten segment light
55	Single Tube 2 - Pixel 11 - Intensity	000-255.	Single tube 2 Dimmer	Eleven segments full light

56	Single Tube 2 - Pixel 11 - Intensity fine	000-255.	Single tube 2 Dimmer	Eleven microlight
57	Single Tube 2 - Pixel 12 - Intensity	000-255.	Single tube 2 Dimmer	Twelve segments full light
58	Single Tube 2 - Pixel 12 - Intensity fine	000-255.	Single tube 2 Dimmer	Twelve segments of light
59	Single Tube 2 - Shutter	000-019	Shutter close	Shutter close
		020-024	Shutter open	Shutter Open
		025-064	Strobe 1 (fast → slow)	Strobe 1 (fast → slow)
		065-069	Shutter open	Shutter Open
		070-084	Strobe 2: opening pulse (fast → slow)	Strobe 2: Opening pulse (fast → slow)
		085-089	Shutter open	Shutter Open
		090-104	Strobe 3: closing pulse (fast → slow)	Stroboscopic 3: Pulse off (fast to slow)
		105-109	Shutter open	Shutter Open
		110-124	Strobe 4: random strobe (fast → slow)	Strobe 4: random strobe
		125-129	Shutter open	Shutter Open
		130-144	Strobe 5: random opening pulse (fast → slow)	Strobe 5: Random opening pulse (fast → slow)
		145-149	Shutter open	Shutter Open
		150-164	Strobe 6: random closing pulse (fast → slow)	Strobe 6: Random closing pulse (fast → slow)
		165-169	Shutter open	Shutter Open
		170-184	Strobe 7: burst pulse (fast → slow)	Strobe 7: Burst pulse (fast → slow)
		185-189	Shutter open	Shutter Open
		190-204	Strobe 8: random burst pulse (fast → slow)	Strobe 8: Random burst pulse (fast → slow)
		205-209	Shutter open	Shutter Open
		210-224	Strobe 9: sine wave (fast → slow)	Strobe 9: Sine wave (fast → slow)
		225-229	Shutter open	Shutter Open
230-244	Strobe 10: burst (fast → slow)	Strobe 10: Burst (fast → slow)		
245-255	Shutter open	Shutter Open		
60	Single Tube 2 - Duration	000-255.	only affects to Strobe 1 (025-064)	Stroboscopic Special effects
61	Single Tube 2 - Pattern Dimmer	000-255.	Single tube 2 Dimmer	General modulation
62	Single Tube 2 - Pattern selection	000-005	no function	No function
		000-255.	Single tube binary	Mode selection
63	Single Tube 2 - Pattern selection X- fade	000-005	no function	No function
		006-255.	1s - 250s (1s steps)	Time for the first mode to switch to the next mode
64		000-005.	No Function	No function

	Single Tube 2 - Pattern speed	006-124.	Left to Right / Fast to slow	Left to right/fast to slow
		125-130.	No Function	No function
		131-249.	Right to Left / Slow to fast	Right to left/Slow to fast
		250-255.	No Function	No function
65	Single Tube 2 - Pattern X-fade	000-005.	Snap from cell to cell	Snap from cell to cell
		006-255.	Fade Duration short to long	The duration is short to long
66	Single Tube 2 - Pattern Space	000-041.	1-Segment Space	1 - Segment space
		042-084.	2-Segment Spaces	2 - Segment Spaces
		085-127.	3-Segment Spaces	3 - Segment Spaces
		128-170.	4-Segment Spaces	4 - Segment Spaces
		171-213.	5-Segment Spaces	5 - Segment Spaces
		214-255.	6-Segment Spaces	6 - Segment Spaces
67	Single Tube 3 - Pixel 1 - Intensity	000-255.	Single tube three dimmers	One full light
68	Single Tube 3 - Pixel 1 - Intensity fine	000-255.	Single tube three dimmers	One section of microlight
69	Single Tube 3 - Pixel 2 - Intensity	000-255.	Single tube three dimmers	2 section full light
70	Single Tube 3 - Pixel 2 - Intensity fine	000-255.	Single tube three dimmers	Second segment light
71	Single Tube 3 - Pixel 3 - Intensity	000-255.	Single tube three dimmers	Three segments full light
72	Single Tube 3 - Pixel 3 - Intensity fine	000-255.	Single tube three dimmers	Three segments of microlight
73	Single Tube 3 - Pixel 4 - Intensity	000-255.	Single tube three dimmers	Four segments full light
74	Single Tube 3 - Pixel 4 - Intensity fine	000-255.	Single tube three dimmers	Four segments of microlight
75	Single Tube 3 - Pixel 5 - Intensity	000-255.	Single tube three dimming	Five segments full light
76	Single Tube 3 - Pixel 5 - Intensity fine	000-255.	Single tube three dimmers	Five segments of light
77	Single Tube 3 - Pixel 6 - Intensity	000-255.	Single tube three dimmers	Six segments full light
78	Single Tube 3 - Pixel 6 - Intensity fine	000-255.	Single tube three dimmers	Six segments light up
79	Single Tube 3 - Pixel 7 - Intensity	000-255.	Single tube three dimmers	Seven segments full light
80	Single Tube 3 - Pixel 7 - Intensity fine	000-255.	Single tube three dimmers	Seven segments of microlight
81	Single Tube 3 - Pixel 8 - Intensity	000-255.	Single tube three dimmers	Eight segments full light
82	Single Tube 3 - Pixel 8 - Intensity fine	000-255.	Single tube three dimmers	Eight segments of light
83	Single Tube 3 - Pixel 9 - Intensity	000-255.	Single tube three dimmers	Nine segments full light

84	Single Tube 3 - Pixel 9 - Intensity fine	000-255.	Single tube three dimmers	Nine segment light
85	Single Tube 3 - Pixel 10 - Intensity	000-255.	Single tube three dimmers	Ten segments full light
86	Single Tube 3 - Pixel 10 - Intensity fine	000-255.	Single tube three dimmers	Ten segments of light
87	Single Tube 3 - Pixel 11 - Intensity	000-255.	Single tube three dimmers	Eleven segments full light
88	Single Tube 3 - Pixel 11 - Intensity fine	000-255.	Single tube three dimmers	Eleven microlight
89	Single Tube 3 - Pixel 12 - Intensity	000-255.	Single tube three dimmers	Twelve segments full light
90	Single Tube 3 - Pixel 12 - Intensity fine	000-255.	Single tube three dimmers	Twelve segments of light
91	Single Tube 3 - Shutter	000-019	Shutter close	Shutter close
		020-024	Shutter open	Shutter Open
		025-064	Strobe 1 (fast → slow)	Strobe 1 (fast → slow)
		065-069	Shutter open	Shutter Open
		070-084	Strobe 2: opening pulse (fast → slow)	Strobe 2: Opening pulse (fast → slow)
		085-089	Shutter open	Shutter open
		090-104	Strobe 3: closing pulse (fast → slow)	Strobe 3: Closing pulse (fast → slow)
		105-109	Shutter open	Shutter Open
		110-124	Strobe 4: random strobe (fast → slow)	Strobe 4: random strobe
		125-129	Shutter open	Shutter Open
		130-144	Strobe 5: random opening pulse (fast → slow)	Strobe 5: Random opening pulse (fast → slow)
		145-149	Shutter open	Shutter Open
		150-164	Strobe 6: random closing pulse (fast → slow)	Strobe 6: Random closing pulse (fast → slow)
		165-169	Shutter open	Shutter Open
		170-184	Strobe 7: burst pulse (fast → slow)	Strobe 7: Burst pulse (fast → slow)
		185-189	Shutter open	Shutter open
		190-204	Strobe 8: random burst pulse (fast → slow)	Strobe 8: Random burst pulse (fast → slow)
205-209	Shutter open	Shutter Open		
210-224	Strobe 9: sine wave (fast → slow)	Strobe 9: Sine wave (fast → slow)		
225-229	Shutter open	Shutter Open		
230-244	Strobe 10: burst (fast → slow)	Strobe 10: Burst (fast → slow)		
245-255	Shutter open	Shutter Open		
92	Single Tube 3 - Duration	000-255.	only affects to Strobe 1 (025-064)	Stroboscopic Special effects

93	Single Tube 3 - Pattern Dimmer	000-255.	Single tube three dimmers	General modulation
94	Single Tube 3 - Pattern selection	000-005	no function	No function
		000-255.	Single tube triple fix	Pattern selection
95	Single Tube 3 - Pattern selection X- fade	000-005	no function	No function
		006-255.	1s - 250s (1s steps)	Time for the first mode to switch to the next mode
96	Single Tube 3 - Pattern speed	000-005.	No Function	No function
		006-124.	Left to Right / Fast to slow	Left to right/fast to slow
		125-130.	No Function	No function
		131-249.	Right to Left / Slow to fast	Right to left/Slow to fast
		250-255.	No Function	No function
97	Single Tube 3 - Pattern X-fade	000-005.	Snap from cell to cell	Snap from cell to cell
		006-255.	Fade Duration short to long	Fade duration short to long
98	Single Tube 3 - Pattern Space	000-041.	1-Segment Space	1 - Segment space
		042-084.	2-Segment Spaces	2 - Segment Spaces
		085-127.	3-Segment Spaces	3-segment space
		128-170.	4-Segment Spaces	4 - Segment Spaces
		171-213.	5-Segment Spaces	5 - Segment Spaces
		214-255.	6-Segment Spaces	6 - Segment Spaces
99	Single Tube 4 - Pixel 1 - Intensity	000-255.	Single tube four dimmers	One full light
100	Single Tube 4 - Pixel 1 - Intensity fine	000-255.	Single tube four dimmers	One section of microlight
101	Single Tube 4 - Pixel 2 - Intensity	000-255.	Single tube four dimmers	2 section full light
102	Single Tube 4 - Pixel 2 - Intensity fine	000-255.	Single tube four dimmers	Second stage light
103	Single Tube 4 - Pixel 3 - Intensity	000-255.	Single tube four dimmers	Three segments full light
104	Single Tube 4 - Pixel 3 - Intensity fine	000-255.	Single tube four dimmers	Three segments of microlight
105	Single Tube 4 - Pixel 4 - Intensity	000-255.	Single tube four dimmers	Four segments full light
106	Single Tube 4 - Pixel 4 - Intensity fine	000-255.	Single tube four dimming	Four segments of microlight
107	Single Tube 4 - Pixel 5 - Intensity	000-255.	Single tube four dimmers	Five segments full light
108	Single Tube 4 - Pixel 5 - Intensity fine	000-255.	Single tube four dimmers	Five sections of light
109	Single Tube 4 - Pixel 6 - Intensity	000-255.	Single tube four dimmers	All six segments are lit
110	Single Tube 4 - Pixel 6 - Intensity fine	000-255.	Single tube four dimmers	Six segments of microlight
111	Single Tube 4 - Pixel 7 - Intensity	000-255.	Single tube four dimmers	Seven segments full light

112	Single Tube 4 - Pixel 7 - Intensity fine	000-255.	Single tube four dimmers	Seven sections of microlight
113	Single Tube 4 - Pixel 8 - Intensity	000-255.	Single tube four dimmers	Eight segments full light
114	Single Tube 4 - Pixel 8 - Intensity fine	000-255.	Single tube four dimmers	Eight segments of light
115	Single Tube 4 - Pixel 9 - Intensity	000-255.	Single tube four dimmers	Nine segments full light
116	Single Tube 4 - Pixel 9 - Intensity fine	000-255.	Single tube four dimmers	Nine segment light
117	Single Tube 4 - Pixel 10 - Intensity	000-255.	Single tube four dimmers	Ten segments full light
118	Single Tube 4 - Pixel 10 - Intensity fine	000-255.	Single tube four dimmers	Ten segments of light
119	Single Tube 4 - Pixel 11 - Intensity	000-255.	Single tube four dimmers	Eleven segments full light
120	Single Tube 4 - Pixel 11 - Intensity fine	000-255.	Single tube four dimmers	Eleven microlight
121	Single Tube 4 - Pixel 12 - Intensity	000-255.	Single tube four dimmers	Twelve segments full light
122	Single Tube 4 - Pixel 12 - Intensity fine	000-255.	Single tube four dimming	Twelve segments of light
123	Single Tube 4 - Shutter	000-019	Shutter close	Shutter close
		020-024	Shutter open	Shutter Open
		025-064	Strobe 1 (fast → slow)	Strobe 1 (fast → slow)
		065-069	Shutter open	Shutter Open
		070-084	Strobe 2: opening pulse (fast → slow)	Strobe 2: Opening pulse (fast → slow)
		085-089	Shutter open	Shutter Open
		090-104	Strobe 3: closing pulse (fast → slow)	Strobe 3: Closing pulse (fast → slow)
		105-109	Shutter open	Shutter Open
		110-124	Strobe 4: random strobe (fast → slow)	Strobe 4: random strobe
		125-129	Shutter open	Shutter Open
		130-144	Strobe 5: random opening pulse (fast → slow)	Strobe 5: Random opening pulse (fast → slow)
		145-149	Shutter open	Shutter Open
		150-164	Strobe 6: random closing pulse (fast → slow)	Strobe 6: Random closing pulse (fast → slow)
		165-169	Shutter open	Shutter Open
		170-184	Strobe 7: burst pulse (fast → slow)	Stroboscopic 7: Burst pulse (fast to slow)
		185-189	Shutter open	Shutter Open
190-204	Strobe 8: random burst pulse (fast → slow)	Strobe 8: Random burst pulse (fast → slow)		
205-209	Shutter open	Shutter Open		

		210-224	Strobe 9:sine wave (fast → slow)	Strobe 9: Sine wave (fast → slow)
		225-229	Shutter open	Shutter Open
		230-244	Strobe 10: burst (fast → slow)	Strobe 10: Burst (fast → slow)
		245-255	Shutter open	Shutter Open
124	Single Tube 4 - Duration	000-255.	only affects to Strobe 1 (025-064)	Stroboscopic Special effects
125	Single Tube 4 - Pattern Dimmer	000-255.	Single tube four dimmers	General modulation
126	Single Tube 4 - Pattern selection	000-005	no function	No function
		000-255.	Single tube quad fix	Pattern selection
127	Single Tube 4 - Pattern selection X-fade	000-005	no function	No function
		006-255.	1s - 250s (1s steps)	Time for the first mode to switch to the next mode
128	Single Tube 4 - Pattern speed	000-005.	No Function	No function
		006-124.	Left to Right / Fast to slow	Left to right/fast to slow
		125-130.	No Function	No function
		131-249.	Right to Left / Slow to fast	Right to left/Slow to fast
		250-255.	No Function	non-function
129	Single Tube 4 - Pattern X-fade	000-005.	Snap from cell to cell	Snap from cell to cell
		006-255.	Fade Duration short to long	Fade duration short to long
130	Single Tube 4 - Pattern Space	000-041.	1-Segment Space	1 - Segment space
		042-084.	2-Segment Spaces	2-segment space
		085-127.	3-Segment Spaces	3 - Segment Spaces
		128-170.	4-Segment Spaces	4 - Segment Spaces
		171-213.	5-Segment Spaces	5 - Segment Spaces
		214-255.	6-Segment Spaces	6 - Segment Spaces
131	Single Tube Group (1-4) - Pattern Dimmer	000-255.	Single tube 1-4 dimming	General Tone
132	Single Tube Group (1-4) - Pattern selection	000-005	no function	No function
		006-255.	Single tube 1-4 set values	Pattern selection
133	Single Tube Group (1-4) - Pattern selection X-fade	000-005	no function	No function
		006-255.	1s - 250s (1s steps)	Time for the first mode to switch to the next mode
134	Single Tube Group (1-4) - Pattern speed	000-005.	No Function	No function
		006-124.	Left to Right / Fast to slow	Left to right/fast to slow
		125-130.	No Function	No function
		131-249.	Right to Left / Slow to fast	From right to left/from slow to fast
		250-255.	No Function	No function
135	Single Tube Group (1-4) - Pattern X-fade	000-005.	Snap from cell to cell	Snap from cell to cell
		006-255.	Fade Duration short to long	Fade duration short to long
136		000-041.	1-Segment Space	1-segment space

	Single Tube Group (1-4) - Pattern Space	042-084.	2-Segment Spaces	2 - Segment Spaces
		085-127.	3-Segment Spaces	3 - Segment Spaces
		128-170.	4-Segment Spaces	4 - Segment Spaces
		171-213.	5-Segment Spaces	5 - Segment Spaces
		214-255.	6-Segment Spaces	6 - Segment Spaces
137	RGB Panel 1 - Shutter	000-019	Shutter close	Shutter close
		020-024	Shutter open	Shutter Open
		025-064	Strobe 1 (fast → slow)	Strobe 1 (fast → slow)
		065-069	Shutter open	Shutter Open
		070-084	Strobe 2: opening pulse (fast → slow)	Stroboscopic 2: Turn on pulse (fast to slow)
		085-089	Shutter open	Shutter Open
		090-104	Strobe 3: closing pulse (fast → slow)	Strobe 3: Closing pulse (fast → slow)
		105-109	Shutter open	Shutter Open
		110-124	Strobe 4: random strobe (fast → slow)	Strobe 4: random strobe
		125-129	Shutter open	Shutter Open
		130-144	Strobe 5: random opening pulse (fast → slow)	Strobe 5: Random opening pulse (fast → slow)
		145-149	Shutter open	Shutter Open
		150-164	Strobe 6: random closing pulse (fast → slow)	Strobe 6: Random closing pulse (fast → slow)
		165-169	Shutter open	Shutter Open
		170-184	Strobe 7: burst pulse (fast → slow)	Strobe 7: Burst pulse (fast → slow)
		185-189	Shutter open	Shutter Open
		190-204	Strobe 8: random burst pulse (fast → slow)	Strobe 8: Random burst pulse (fast → slow)
		205-209	Shutter open	Shutter Open
		210-224	Strobe 9: sine wave (fast → slow)	Strobe 9: Sine wave (fast → slow)
		225-229	Shutter open	Shutter Open
230-244	Strobe 10: burst (fast → slow)	Strobe 10: Burst stroboscopic (fast to slow)		
245-255	Shutter open	Shutter Open		
138	RGB Panel 1 - Duration	000-255.	only affects to Strobe 1 (025-064)	Stroboscopic Special effects
139	RGB Panel 1 - Pattern Dimmer	000-255.	RGB Panel one dimmer	General Tone
140	RGB Panel 1 - Pattern selection	000-005	no function	No function
		006-255.	RGB panel certain value	Mode selection
141	RGB Panel 1 - Pattern selection X- fade	000-005	no function	No function
		006-255.	1s - 250s (1s steps)	Time for the first mode to switch to the next mode
142		000-005.	No Function	No function

	RGB Panel 1 - Pattern speed	006-124.	Left to Right / Fast to slow	Left to right/fast to slow
		125-130.	No Function	No function
		131-249.	Right to Left / Slow to fast	Right to left/Slow to fast
		250-255.	No Function	No function
143	RGB Panel 1 - Pattern X-fade	000-005.	Snap from cell to cell	Snap from cell to cell
		006-255.	Fade Duration short to long	Fade duration short to long
144	RGB Panel 1 - Pattern Space	000-041.	1-Segment Space	1 - Segment space
		042-084.	2-Segment Spaces	2 - Segment Spaces
		085-127.	3-Segment Spaces	3 - Segment Spaces
		128-170.	4-Segment Spaces	4 - Segment Spaces
		171-213.	5-Segment Spaces	5 - Segment Spaces
		214-255.	6-Segment Spaces	6 - Segment Spaces
145	RGB Panel 1 - Pattern Red	000-255.	RGB Panel one dimmer	red
146	RGB Panel 1 - Pattern Green	000-255.	RGB Panel one dimmer	green
147	RGB Panel 1 - Pattern Blue	000-255.	RGB Panel one dimmer	blue
148	RGB Panel 1 - CTC	000-004	5600K	Color temperature 5600K
		005-226.	2000K-6500K linear in 20-21K steps (please see detailed CTC chart)	Add 100K color temperature for every 5 DMX values
		182-182.	5600K	Color temperature 5600K
		226-226.	6500K	Color temperature 6500K
		227-255.	6621K-10.000K linear in 120-121K steps (please see detailed CTC chart)	Add 120K color temperature for each DMX value
149	RGB Panel 1 - Red 1	000-255.	RGB Panel one dimmer	Red 1 Light all
150	RGB Panel 1 - Red 1 fine	000-255.	RGB Panel one dimmer	Red 1 Light slightly
151	RGB Panel 1 - Green 1	000-255.	RGB Panel one dimmer	Green 1 Light all
152	RGB Panel 1 - Green 1 fine	000-255.	RGB Panel one dimmer	Green 1 Light slightly
153	RGB Panel 1 - Blue 1	000-255.	RGB Panel one dimmer	Blue 1 Light all
154	RGB Panel 1 - Blue 1 fine	000-255.	RGB Panel one dimmer	Blue 1 Light slightly
155	RGB Panel 1 - Red 2	000-255.	RGB Panel one dimmer	Red 2 Light all
156	RGB Panel 1 - Red 2 fine	000-255.	RGB Panel one dimmer	Red 2 Light slightly
157	RGB Panel 1 - Green 2	000-255.	RGB Panel one dimmer	Green 2 Light all
158	RGB Panel 1 - Green 2 fine	000-255.	RGB Panel one dimmer	Green 2 Light slightly
159	RGB Panel 1 - Blue 2	000-255.	RGB panel a dimmer	Blue 2 All light
160	RGB Panel 1 - Blue 2 fine	000-255.	RGB Panel one dimmer	Blue 2 Light slightly
161	RGB Panel 1 - Red 3	000-255.	RGB Panel one dimmer	Red 3 Light all

162	RGB Panel 1 - Red 3 fine	000-255.	RGB Panel one dimmer	Red 3 Light
163	RGB Panel 1 - Green 3	000-255.	RGB Panel one dimmer	Green 3 All light
164	RGB Panel 1 - Green 3 fine	000-255.	RGB Panel one dimmer	Green 3 Light slightly
165	RGB Panel 1 - Blue 3	000-255.	RGB Panel one dimmer	Blue 3 All light
166	RGB Panel 1 - Blue 3 fine	000-255.	RGB Panel one dimmer	Blue 3 Light slightly
167	RGB Panel 1 - Red 4	000-255.	RGB Panel one dimmer	Red 4 Light all
168	RGB Panel 1 - Red 4 fine	000-255.	RGB Panel one dimmer	Red 4 Light slightly
169	RGB Panel 1 - Green 4	000-255.	RGB Panel one dimmer	Green 4 All light
170	RGB Panel 1 - Green 4 fine	000-255.	RGB Panel one dimmer	Green 4 Light slightly
171	RGB Panel 1 - Blue 4	000-255.	RGB Panel one dimmer	Blue 4 All light
172	RGB Panel 1 - Blue 4 fine	000-255.	RGB Panel one dimmer	Blue 4 Light slightly
173	RGB Panel 1 - Red 5	000-255.	RGB Panel one dimmer	Red 5 Light all
174	RGB Panel 1 - Red 5 fine	000-255.	RGB Panel one dimmer	Red 5 Light slightly
175	RGB Panel 1 - Green 5	000-255.	RGB panel a dimmer	Green 5 All light
176	RGB Panel 1 - Green 5 fine	000-255.	RGB Panel one dimmer	Green 5 Light slightly
177	RGB Panel 1 - Blue 5	000-255.	RGB Panel one dimmer	Blue 5 All light
178	RGB Panel 1 - Blue 5 fine	000-255.	RGB Panel one dimmer	Blue 5 Light
179	RGB Panel 1 - Red 6	000-255.	RGB Panel one dimmer	Red 6 All light
180	RGB Panel 1 - Red 6 fine	000-255.	RGB Panel one dimmer	Red 6 Light slightly
181	RGB Panel 1 - Green 6	000-255.	RGB Panel one dimmer	Green 6 All light
182	RGB Panel 1 - Green 6 fine	000-255.	RGB Panel one dimmer	Green 6 Light slightly
183	RGB Panel 1 - Blue 6	000-255.	RGB Panel one dimmer	Blue 6 All light
184	RGB Panel 1 - Blue 6 fine	000-255.	RGB Panel one dimmer	Blue 6 Light slightly
185	RGB Panel 2 - Shutter	000-019	Shutter close	Shutter close
		020-024	Shutter open	Shutter Open
		025-064	Strobe 1 (fast → slow)	Strobe 1 (fast → slow)
		065-069	Shutter open	Shutter Open
		070-084	Strobe 2: opening pulse (fast → slow)	Strobe 2: Opening pulse (fast → slow)
		085-089	Shutter open	Shutter Open

		090-104	Strobe 3: closing pulse (fast → slow)	Strobe 3: Closing pulse (fast → slow)
		105-109	Shutter open	Shutter Open
		110-124	Strobe 4: random strobe (fast → slow)	Strobe 4: random strobe
		125-129	Shutter open	Shutter Open
		130-144	Strobe 5: random opening pulse (fast → slow)	Strobe 5: Random opening pulse (fast → slow)
		145-149	Shutter open	Shutter Open
		150-164	Strobe 6: random closing pulse (fast → slow)	Strobe 6: Random closing pulse (fast → slow)
		165-169	Shutter open	Shutter Open
		170-184	Strobe 7: burst pulse (fast → slow)	Strobe 7: Burst pulse (fast → slow)
		185-189	Shutter open	Shutter open
		190-204	Strobe 8: random burst pulse (fast → slow)	Stroboscopic 8: Random burst (fast to slow)
		205-209	Shutter open	Shutter Open
		210-224	Strobe 9: sine wave (fast → slow)	Strobe 9: Sine wave (fast → slow)
		225-229	Shutter open	Shutter Open
		230-244	Strobe 10: burst (fast → slow)	Strobe 10: Burst (fast → slow)
		245-255	Shutter open	Shutter Open
186	RGB Panel 2 - Duration	000-255.	only affects to Strobe 1 (025-064)	Stroboscopic Special effects
187	RGB Panel 2 - Pattern Dimmer	000-255.	RGB Panel 2 Dimmer	General Dimmer
188	RGB Panel 2 - Pattern selection	000-005	no function	No function
		006-255.	RGB panel binary values	Mode selection
189	RGB Panel 2 - Pattern selection X-fade	000-005	no function	No function
		006-255.	1s - 250s (1s steps)	Time for the first mode to switch to the next mode
190	RGB Panel 2 - Pattern speed	000-005.	No Function	No function
		006-124.	Left to Right / Fast to slow	Left to right/fast to slow
		125-130.	No Function	No function
		131-249.	Right to Left / Slow to fast	Right to left/Slow to fast
		250-255.	No Function	No function
191	RGB Panel 2 - Pattern X-fade	000-005.	Snap from cell to cell	Snap from cell to cell
		006-255.	Fade Duration short to long	Fade duration short to long
192	RGB Panel 2 - Pattern Space	000-041.	1-Segment Space	1 - Segment space
		042-084.	2-Segment Spaces	2 - Segment Spaces
		085-127.	3-Segment Spaces	3 - Segment Spaces
		128-170.	4-Segment Spaces	4-segment space
		171-213.	5-Segment Spaces	5 - Segment Spaces
		214-255.	6-Segment Spaces	6 - Segment Spaces

193	RGB Panel 2 - Pattern Red	000-255.	RGB Panel 2 Dimmer	red
194	RGB Panel 2 - Pattern Green	000-255.	RGB Panel 2 Dimmer	green
195	RGB Panel 2 - Pattern Blue	000-255.	RGB Panel 2 Dimmer	blue
196	RGB Panel 2 - CTC	000-004	5600K	Color temperature 5600K
		005-226.	2000K-6500K linear in 20-21K steps (please see detailed CTC chart)	Add 100K color temperature for every 5 DMX values
		182-182.	5600K	Color temperature 5600K
		226-226.	6500K	Color temperature 6500K
		227-255.	6621K-10.000K linear in 120-121K steps (please see detailed CTC chart)	Add 120K color temperature for each DMX value
197	RGB Panel 2 - Red 1	000-255.	RGB Panel 2 Dimmer	Red 1 Light all
198	RGB Panel 2 - Red 1 fine	000-255.	RGB Panel 2 Dimmer	Red 1 Light
199	RGB Panel 2 - Green 1	000-255.	RGB Panel 2 Dimmer	Green 1 Light all
200	RGB Panel 2 - Green 1 fine	000-255.	RGB Panel 2 Dimmer	Green 1 Light slightly
201	RGB Panel 2 - Blue 1	000-255.	RGB Panel 2 Dimmer	Blue 1 All light
202	RGB Panel 2 - Blue 1 fine	000-255.	RGB Panel 2 Dimmer	Blue 1 Light slightly
203	RGB Panel 2 - Red 2	000-255.	RGB Panel 2 Dimmer	Red 2 All light
204	RGB Panel 2 - Red 2 fine	000-255.	RGB Panel 2 Dimmer	Red 2 Light slightly
205	RGB Panel 2 - Green 2	000-255.	RGB Panel 2 Dimmer	Green 2 All light
206	RGB Panel 2 - Green 2 fine	000-255.	RGB Panel 2 Dimmer	Green 2 Light slightly
207	RGB Panel 2 - Blue 2	000-255.	RGB Panel 2 Dimmer	Blue 2 All light
208	RGB Panel 2 - Blue 2 fine	000-255.	RGB Panel 2 Dimmer	Blue 2 Light slightly
209	RGB Panel 2 - Red 3	000-255.	RGB Panel 2 Dimmer	Red 3 All light
210	RGB Panel 2 - Red 3 fine	000-255.	RGB Panel 2 Dimmer	Red 3 Light slightly
211	RGB Panel 2 - Green 3	000-255.	RGB panel two dimming	Green 3 All light
212	RGB Panel 2 - Green 3 fine	000-255.	RGB Panel 2 Dimmer	Green 3 Light slightly
213	RGB Panel 2 - Blue 3	000-255.	RGB Panel 2 Dimmer	Blue 3 All light
214	RGB Panel 2 - Blue 3 fine	000-255.	RGB Panel 2 Dimmer	Blue 3 Light
215	RGB Panel 2 - Red 4	000-255.	RGB Panel 2 Dimmer	Red 4 All light
216	RGB Panel 2 - Red 4 fine	000-255.	RGB Panel 2 Dimmer	Red 4 Light slightly

217	RGB Panel 2 - Green 4	000-255.	RGB Panel 2 Dimmer	Green 4 All light
218	RGB Panel 2 - Green 4 fine	000-255.	RGB Panel 2 Dimmer	Green 4 Light slightly
219	RGB Panel 2 - Blue 4	000-255.	RGB Panel 2 Dimmer	Blue 4 All light
220	RGB Panel 2 - Blue 4 fine	000-255.	RGB Panel 2 Dimmer	Blue 4 Light slightly
221	RGB Panel 2 - Red 5	000-255.	RGB Panel 2 Dimmer	Red 5 All light
222	RGB Panel 2 - Red 5 fine	000-255.	RGB Panel 2 Dimmer	Red 5 Light slightly
223	RGB Panel 2 - Green 5	000-255.	RGB Panel 2 Dimmer	Green 5 All light
224	RGB Panel 2 - Green 5 fine	000-255.	RGB Panel 2 Dimmer	Green 5 Light slightly
225	RGB Panel 2 - Blue 5	000-255.	RGB Panel 2 Dimmer	Blue 5 All light
226	RGB Panel 2 - Blue 5 fine	000-255.	RGB Panel 2 Dimmer	Blue 5 Slight light
227	RGB Panel 2 - Red 6	000-255.	RGB panel two dimming	Red 6 All light
228	RGB Panel 2 - Red 6 fine	000-255.	RGB Panel 2 Dimmer	Red 6 Light slightly
229	RGB Panel 2 - Green 6	000-255.	RGB Panel 2 Dimmer	Green 6 All light
230	RGB Panel 2 - Green 6 fine	000-255.	RGB Panel 2 Dimmer	Green 6 Light
231	RGB Panel 2 - Blue 6	000-255.	RGB Panel 2 Dimmer	Blue 6 All light
232	RGB Panel 2 - Blue 6 fine	000-255.	RGB Panel 2 Dimmer	Blue 6 Light slightly
233	RGB Panel 3 - Shutter	000-019	Shutter close	Shutter close
		020-024	Shutter open	Shutter Open
		025-064	Strobe 1 (fast → slow)	Strobe 1 (fast → slow)
		065-069	Shutter open	Shutter Open
		070-084	Strobe 2: opening pulse (fast → slow)	Strobe 2: Opening pulse (fast → slow)
		085-089	Shutter open	Shutter Open
		090-104	Strobe 3: closing pulse (fast → slow)	Strobe 3: Closing pulse (fast → slow)
		105-109	Shutter open	Shutter Open
		110-124	Strobe 4: random strobe (fast → slow)	Strobe 4: random strobe
		125-129	Shutter open	Shutter Open
		130-144	Strobe 5: random opening pulse (fast → slow)	Strobe 5: Random opening pulse (fast → slow)
		145-149	Shutter open	Shutter open
		150-164	Strobe 6: random closing pulse (fast → slow)	Strobe 6: Random closing pulse (fast → slow)
		165-169	Shutter open	Shutter Open

		170-184	Strobe 7: burst pulse (fast → slow)	Strobe 7: Burst pulse (fast → slow)
		185-189	Shutter open	Shutter Open
		190-204	Strobe 8: random burst pulse (fast → slow)	Strobe 8: Random burst pulse (fast → slow)
		205-209	Shutter open	Shutter Open
		210-224	Strobe 9:sine wave (fast → slow)	Strobe 9: Sine wave (fast → slow)
		225-229	Shutter open	Shutter Open
		230-244	Strobe 10: burst (fast → slow)	Strobe 10: Burst (fast → slow)
		245-255	Shutter open	Shutter Open
234	RGB Panel 3 - Duration	000-255.	only affects to Strobe 1 (025-064)	Stroboscopic Special effects
235	RGB Panel 3 - Pattern Dimmer	000-255.	RGB panel three dimmers	Total Modulation
236	RGB Panel 3 - Pattern selection	000-005	no function	No function
		006-255.	RGB panel three fixed values	Pattern selection
237	RGB Panel 3 - Pattern selection X-fade	000-005	no function	No function
		006-255.	1s - 250s (1s steps)	Time for the first mode to switch to the next mode
238	RGB Panel 3 - Pattern speed	000-005.	No Function	No function
		006-124.	Left to Right / Fast to slow	From left to right/from fast to slow
		125-130.	No Function	No function
		131-249.	Right to Left / Slow to fast	Right to left/Slow to fast
		250-255.	No Function	No function
239	RGB Panel 3 - Pattern X-fade	000-005.	Snap from cell to cell	Snap from cell to cell
		006-255.	Fade Duration short to long	Fade duration short to long
240	RGB Panel 3 - Pattern Space	000-041.	1-Segment Space	1 - Segment space
		042-084.	2-Segment Spaces	2 - Segment Spaces
		085-127.	3-Segment Spaces	3 - Segment Spaces
		128-170.	4-Segment Spaces	4 - Segment Spaces
		171-213.	5-Segment Spaces	5 - Segment Spaces
		214-255.	6-Segment Spaces	6 - Segment Spaces
241	RGB Panel 3 - Pattern Red	000-255.	RGB panel three dimmers	red
242	RGB Panel 3 - Pattern Green	000-255.	RGB panel three dimmers	green
243	RGB Panel 3 - Pattern Blue	000-255.	RGB panel three dimmers	blue
244	RGB Panel 3 - CTC	000-004	5600K	Color temperature 5600K
		005-226.	2000K-6500K linear in 20-21K steps (please see detailed CTC chart)	Add 100K color temperature for every 5 DMX values
		182-182.	5600K	Color temperature 5600K
		226-226.	6500K	Color temperature 6500K

		227-255.	6621K-10.000K linear in 120-121K steps (please see detailed CTC chart)	Add 120K color temperature for each DMX value
245	RGB Panel 3 - Red 1	000-255.	RGB panel three dimmers	Red 1 Light all
246	RGB Panel 3 - Red 1 fine	000-255.	RGB panel three dimmers	Red 1 Light slightly
247	RGB Panel 3 - Green 1	000-255.	RGB panel three dimmers	Green 1 Light all
248	RGB Panel 3 - Green 1 fine	000-255.	RGB panel three dimmers	Green 1 Light slightly
249	RGB Panel 3 - Blue 1	000-255.	RGB panel three dimmers	Blue 1 All bright
250	RGB Panel 3 - Blue 1 fine	000-255.	RGB panel three dimmers	Blue 1 Slight light
251	RGB Panel 3 - Red 2	000-255.	RGB panel three dimmers	Red 2 All light
252	RGB Panel 3 - Red 2 fine	000-255.	RGB panel three dimmers	Red 2 Light slightly
253	RGB Panel 3 - Green 2	000-255.	RGB panel three dimmers	Green 2 All light
254	RGB Panel 3 - Green 2 fine	000-255.	RGB panel three dimmers	Green 2 Light slightly
255	RGB Panel 3 - Blue 2	000-255.	RGB panel three dimmers	Blue 2 All light
256	RGB Panel 3 - Blue 2 fine	000-255.	RGB panel three dimmers	Blue 2 Light slightly
257	RGB Panel 3 - Red 3	000-255.	RGB panel three dimmers	Red 3 All light
258	RGB Panel 3 - Red 3 fine	000-255.	RGB panel three dimmers	Red 3 Light slightly
259	RGB Panel 3 - Green 3	000-255.	RGB panel three dimmers	Green 3 All light
260	RGB Panel 3 - Green 3 fine	000-255.	RGB panel three dimmers	Green 3 Light slightly
261	RGB Panel 3 - Blue 3	000-255.	RGB panel three dimmers	Blue 3 All light
262	RGB Panel 3 - Blue 3 fine	000-255.	RGB panel three dimmers	Blue 3 Light up slightly
263	RGB Panel 3 - Red 4	000-255.	RGB panel three dimmers	Red 4 All light
264	RGB Panel 3 - Red 4 fine	000-255.	RGB panel three dimmers	Red 4 Light slightly
265	RGB Panel 3 - Green 4	000-255.	RGB panel three dimmers	Green 4 All on
266	RGB Panel 3 - Green 4 fine	000-255.	RGB panel three dimmers	Green 4 Light slightly
267	RGB Panel 3 - Blue 4	000-255.	RGB panel three dimmers	Blue 4 All light
268	RGB Panel 3 - Blue 4 fine	000-255.	RGB panel three dimmers	Blue 4 Slight light
269	RGB Panel 3 - Red 5	000-255.	RGB panel three dimmers	Red 5 All light
270	RGB Panel 3 - Red 5 fine	000-255.	RGB panel three dimmers	Red 5 Light slightly

271	RGB Panel 3 - Green 5	000-255.	RGB panel three dimmers	Green 5 All light
272	RGB Panel 3 - Green 5 fine	000-255.	RGB panel three dimmers	Green 5 Light slightly
273	RGB Panel 3 - Blue 5	000-255.	RGB panel three dimmers	Blue 5 All light
274	RGB Panel 3 - Blue 5 fine	000-255.	RGB panel three dimmers	Blue 5 Slight light
275	RGB Panel 3 - Red 6	000-255.	RGB panel three dimmers	Red 6 All light
276	RGB Panel 3 - Red 6 fine	000-255.	RGB panel three dimmers	Red 6 Light slightly
277	RGB Panel 3 - Green 6	000-255.	RGB panel three dimmers	Green 6 All light
278	RGB Panel 3 - Green 6 fine	000-255.	RGB panel three dimmers	Green 6 Light slightly
279	RGB Panel 3 - Blue 6	000-255.	RGB panel three dimmers	Blue 6 All light
280	RGB Panel 3 - Blue 6 fine	000-255.	RGB panel three dimmers	Blue 6 Slight light
281	RGB Panel Group (1+3) - Pattern Dimmer	000-255.	RGB1+3 Self-deviating dimming	General theme
282	RGB Panel Group (1+3) - Pattern selection	000-005	no function	No function
		006-255.	RGB1+3 Dynamic setting	Mode selection
283	RGB Panel Group (1+3) Pattern selection X-fade	000-005	no function	No function
		006-255.	1s - 250s (1s steps)	The time the first mode switches to the next mode
284	RGB Panel Group (1+3) - Pattern speed	000-005.	No Function	No function
		006-124.	Left to Right / Fast to slow	Left to right/fast to slow
		125-130.	No Function	No function
		131-249.	Right to Left / Slow to fast	Right to left/Slow to fast
		250-255.	No Function	No function
285	RGB Panel Group (1+3) - Pattern X-fade	000-005.	Snap from cell to cell	Snap from cell to cell
		006-255.	Fade Duration short to long	Fade duration short to long
286	RGB Panel Group (1+3) - Pattern Space	000-041.	1-Segment Space	1 - Segment space
		042-084.	2-Segment Spaces	2 - Segment Spaces
		085-127.	3-Segment Spaces	3 - Segment Spaces
		128-170.	4-Segment Spaces	4 - Segment Spaces
		171-213.	5-Segment Spaces	5 - Segment Spaces
		214-255.	6-Segment Spaces	6 - Segment Spaces
287	RGB Panel Group (1+3) Pattern Red	000-255.	RGB panel 1+3 Background light	red
288	RGB Panel Group (1+3) Pattern Green	000-255.	RGB panel 1+3 Background light	green
289	RGB Panel Group (1+3) Pattern Blue	000-255.	RGB panel 1+3 Background light	blue
290		000-004	7000K	Color temperature 7000K

	RGB Panel Group (1+3) - Pattern CTC	005-226.	2000K-6500K linear in 20-21K steps (please see detailed CTC chart)	Add 100K color temperature for every 5 DMX values
		182-182.	5600K	Color temperature 5600K
		226-226.	6500K	Color temperature 6500K
		227-255.	6621K-10.000K linear in 120-121K steps (please see detailed CTC chart)	Add 120K color temperature for each DMX value
291	Device Settings (please see remark *1)	000-005	No function	No function
		006-010.	Display Backlight On (hold 3s)	Display backlight on (hold 3s)
		011-015.	Display Backlight Off (hold 3s)	Display backlight off (hold 3s)
		016-018.	No function	No function
		019-023.	DMX Fail Blackout (hold 3s)	Black Field
		024-028.	DMX Fail Hold (hold 3s)	Hold
		029-033.	DMX Fail - Emergency Light (hold 3s)	Full light (only works in color temperature mode)
		034-036.	No function	No function
		037-041.	Linear Dimmer Curve (hold 1,5s)	Linear dimmer curve (Hold)
		042-046.	Exponential Dimmer Curve (hold 1,5s)	Exponential dimmer curve
		047-051.	Logarithmic Dimmer Curve (hold 1,5s)	Logarithmic curve
		052-056.	S-curve Dimmer Curve (hold 1,5s)	S-curve (hold 1, 5)
		057-061.	No function	No function
		062-066.	LED (Fast) Dimmer Response (hold 1,5s)	No delay
		067-071.	Medium Dimmer Response (hold 1,5s)	Medium dimmer response delay
		072-076.	Halogen(Slow) Dimmer Response (hold 1,5s)	Halogen dimmer Response
		077-080.	No function	No function
		081-085.	Full Calibration (Colors & CCT / hold 3s)	Primary color correction on
		086-090.	CCT Calibration (RAW Colors / hold 3s)	Turn off primary colors correction
		091-093.	No function	No function
		094-098.	LED Frequency 800Hz (hold 3s)	LED frequency 800Hz
		099-103.	LED Frequency 1200Hz (hold 3s)	LED frequency 1200Hz
		104-108.	LED Frequency 2000Hz (hold 3s)	LED frequency 2000Hz (hold 3s)
		109-113.	LED Frequency 3600Hz (hold 3s)	LED frequency 3600Hz
		114-118.	LED Frequency 12kHz (hold 3s)	LED frequency 12kHz (hold 3s)
		119-123.	LED Frequency 25kHz (hold 3s)	LED frequency 25kHz (hold 3s)
		124-126.	No function	non-function
		127-131.	Fan Auto (hold 3s)	Fan Auto (Hold 3S)
		132-136.	Fan Silent (hold 3s)	Fan Silent (hold 3s)
		137-141.	Fan Off (hold 3s)	Fan Off (hold 3s)
		142-146.	Fan High Power (hold 3s)	Fan High Power (hold 3s)
		147-149.	No function	No function
150-153.	Invert RGB Panel 1 Off (hold 1,5s)	Invert RGB Panel 1 Off		

		154-157.	Invert RGB Panel 1 On (hold 1,5s)	Invert RGB Panel 1 On (hold 1
		158-161.	Invert RGB Panel 2 Off (hold 1,5s)	Invert RGB Panel 2 off
		162-165.	Invert RGB Panel 2 On (hold 1,5s)	Invert RGB Panel 2 on (hold 1, 5 s
		166-169.	Invert RGB Panel 3 Off (hold 1,5s)	Invert RGB Panel 3 off
		170-173.	Invert RGB Panel 3 On (hold 1,5s)	Invert RGB Panel 3 on (hold 1, 5 s
		174-177.	Invert Single Tube 1 Off (hold 1,5s)	Invert single tube 1 Off (hold 1 s)
		178-181.	Invert Single Tube 1 On (hold 1,5s)	Invert single tube 1 On (hold 1 s)
		182-185.	Invert Single Tube 2 Off (hold 1,5s)	Invert single tube 2 off (hold 1 s)
		186-189.	Invert Single Tube 2 On (hold 1,5s)	Invert single tube 2 on (hold 1 5 s)
		190-193.	Invert Single Tube 3 Off (hold 1,5s)	Invert single tube 3 off (hold 1, 5 s)
		194-197.	Invert Single Tube 3 On (hold 1,5s)	Inverted single tube 3 Open
		198-201.	Invert Single Tube 4 Off (hold 1,5s)	Invert single tube 4 off (hold 1 5 s)
		202-205.	Invert Single Tube 4 On (hold 1,5s)	Invert single tube 4 on (hold 1 5 s)
		206-209.	Swap RGB Panels Off (hold 1,5s)	Swap RGB panels off
		210-213.	Swap RGB Panels On (hold 1,5s)	Swap RGB panels on
		214-217.	Swap Single Tubes Off (hold 1,5s)	Swap single tubes off
		218-221.	Swap Single Tubes On (hold 1,5s)	Swap single tubes on (hold 1
		222-224.	No function	No function
		225-229.	LED Mode - Illumination (hold 1,5s)	Low power mode
		230-234.	LED Mode-Boost (hold 1,5s)	High power mode
		235-237.	No function	No function
		238-242.	Factory Reset (hold 3s)	Factory reset (Hold 3s)
		243-247.	User Reset (hold 3s)	User reset (hold 3s)
		248-255.	No function	No function

Channel	Pure Mode 110CH 8Bit			Default
1	Master Dimmer	000-255.	Total tone	Total dimmer
2	Single Tube 1-4 Dimmer	000-255.	One tube and one dimming	Four single tube dimming total
3	Single Tube 1-4 Shutter	000-019	Shutter close	Shutter close
		020-024	Shutter open	Shutter Open
		025-064	Strobe 1 (fast → slow)	Strobe 1 (fast → slow)
		065-069	Shutter open	Shutter Open

		070-084	Strobe 2: opening pulse (fast → slow)	Strobe 2: Opening pulse (fast → slow)
		085-089	Shutter open	Shutter Open
		090-104	Strobe 3: closing pulse (fast → slow)	Strobe 3: Closing pulse (fast → slow)
		105-109	Shutter open	Shutter Open
		110-124	Strobe 4: random strobe (fast → slow)	Strobe 4: random strobe
		125-129	Shutter open	Shutter Open
		130-144	Strobe 5: random opening pulse (fast → slow)	Strobe 5: Random opening pulse (fast → slow)
		145-149	Shutter open	Shutter Open
		150-164	Strobe 6: random closing pulse (fast → slow)	Strobe 6: Random closing pulse (fast → slow)
		165-169	Shutter open	Shutter open
		170-184	Strobe 7: burst pulse (fast → slow)	Strobe 7: Burst pulse (fast → slow)
		185-189	Shutter open	Shutter Open
		190-204	Strobe 8: random burst pulse (fast → slow)	Strobe 8: Random burst pulse (fast → slow)
		205-209	Shutter open	Shutter Open
		210-224	Strobe 9: sine wave (fast → slow)	Strobe 9: Sine wave (fast → slow)
		225-229	Shutter open	Shutter Open
		230-244	Strobe 10: burst (fast → slow)	Strobe 10: Burst (fast → slow)
		245-255	Shutter open	Shutter Open
4	Single Tube 1-4 Duration	000-255.	only affects to Strobe 1-4 (025-064)	Stroboscopic Special Effects (only as 025-064)
5	RGB Panels (1+3) - Dimmer	000-255.	Total RGB adjustment	RGB Total Adjustment
6	RGB Panels (1+3) - Shutter	000-019	Shutter close	Shutter close
		020-024	Shutter open	Shutter Open
		025-064	Strobe 1 (fast → slow)	Strobe 1 (fast → slow)
		065-069	Shutter open	Shutter open
		070-084	Strobe 2: opening pulse (fast → slow)	Strobe 2: Opening pulse (fast → slow)
		085-089	Shutter open	Shutter Open
		090-104	Strobe 3: closing pulse (fast → slow)	Strobe 3: Closing pulse (fast → slow)
		105-109	Shutter open	Shutter Open
		110-124	Strobe 4: random strobe (fast → slow)	Strobe 4: random strobe
		125-129	Shutter open	Shutter Open
		130-144	Strobe 5: random opening pulse (fast → slow)	Strobe 5: Random opening pulse (fast → slow)
		145-149	Shutter open	Shutter Open
		150-164	Strobe 6: random closing pulse (fast → slow)	Strobe 6: Random closing pulse (fast → slow)

		165-169	Shutter open	Shutter Open
		170-184	Strobe 7: burst pulse (fast → slow)	Strobe 7: Burst pulse (fast → slow)
		185-189	Shutter open	Shutter Open
		190-204	Strobe 8: random burst pulse (fast → slow)	Strobe 8: Random burst pulse (fast → slow)
		205-209	Shutter open	Shutter Open
		210-224	Strobe 9:sine wave (fast → slow)	Strobe 9: Sine wave (fast → slow)
		225-229	Shutter open	Shutter open
		230-244	Strobe 10: burst (fast → slow)	Strobe 10: Burst (fast → slow)
		245-255	Shutter open	Shutter Open
7	RGB Panels (1+3) - Duration	000-255.	only affects to Strobe 1 (025-064)	Stroboscopic Special Effects (only as 025-064)
8	Device Settings (please see remark *1)	000-005	No function	non-function
		006-010.	Display Backlight On (hold 3s)	Display backlight on (hold 3s)
		011-015.	Display Backlight Off (hold 3s)	Display backlight off (hold 3s)
		016-018.	No function	No function
		019-023.	DMX Fail Blackout (hold 3s)	Black Field
		024-028.	DMX Fail Hold (hold 3s)	Hold
		029-033.	DMX Fail - Emergency Light (hold 3s)	Full light (only works in color temperature mode)
		034-036.	No function	No function
		037-041.	Linear Dimmer Curve (hold 1,5s)	Linear dimmer curve (Hold)
		042-046.	Exponential Dimmer Curve (hold 1,5s)	Exponential dimmer curve
		047-051.	Logarithmic Dimmer Curve (hold 1,5s)	Logarithmic dimmer curve
		052-056.	S-curve Dimmer Curve (hold 1,5s) S-curve Dimmer Curve (hold 1,5s)	S-curve (hold 1, 5)
		057-061.	No function	No function
		062-066.	LED (Fast) Dimmer Response (hold 1,5s)	No delay
		067-071.	Medium Dimmer Response (hold 1,5s)	Medium dimmer response delay
		072-076.	Halogen(Slow) Dimmer Response (hold 1,5s)	Halogen dimmer Response
		077-080.	No function	non-function
		081-085.	Full Calibration (Colors & CCT / hold 3s)	Primary color correction on
		086-090.	CCT Calibration (RAW Colors / hold 3s)	Turn off primary colors correction
		091-093.	No function	No function
		094-098.	LED Frequency 800Hz (hold 3s)	LED frequency 800Hz
		099-103.	LED Frequency 1200Hz (hold 3s)	LED frequency 1200Hz
		104-108.	LED Frequency 2000Hz (hold 3s)	LED frequency 2000Hz (hold 3s)
		109-113.	LED Frequency 3600Hz (hold 3s)	LED frequency 3600Hz
		114-118.	LED Frequency 12kHz (hold 3s)	LED frequency 12kHz (hold 3s)

		119-123.	LED Frequency 25kHz (hold 3s)	LED frequency 25kHz (hold 3s)
		124-126.	No function	No function
		127-131.	Fan Auto (hold 3s)	Fan Auto (Hold 3S)
		132-136.	Fan Silent (hold 3s)	Fan Silent (hold 3s)
		137-141.	Fan Off (hold 3s)	Fan Off (hold 3s)
		142-146.	Fan High Power (hold 3s)	Fan High Power (hold 3s)
		147-149.	No function	No function
		150-153.	Invert RGB Panel 1 Off (hold 1,5s)	Invert RGB panel 1 off
		154-157.	Invert RGB Panel 1 On (hold 1,5s)	Invert RGB Panel 1 On (hold 1
		158-161.	Invert RGB Panel 2 Off (hold 1,5s)	Invert RGB Panel 2 off
		162-165.	Invert RGB Panel 2 On (hold 1,5s)	Invert RGB Panel 2 on (hold 1, 5 s
		166-169.	Invert RGB Panel 3 Off (hold 1,5s)	Invert RGB Panel 3 off
		170-173.	Invert RGB Panel 3 On (hold 1,5s)	Invert RGB Panel 3 on (hold 1, 5 s
		174-177.	Invert Single Tube 1 Off (hold 1,5s)	Invert single tube 1 Off (hold 1 s)
		178-181.	Invert Single Tube 1 On (hold 1,5s)	Invert single tube 1 On (hold 1 s)
		182-185.	Invert Single Tube 2 Off (hold 1,5s)	Invert single tube 2 off (hold 1 s)
		186-189.	Invert Single Tube 2 On (hold 1,5s)	Invert single tube 2 on (hold 1 5 s)
		190-193.	Invert Single Tube 3 Off (hold 1,5s)	Invert single tube 3 off (hold 1, 5 s)
		194-197.	Invert Single Tube 3 On (hold 1,5s)	Invert single tube 3 on (hold 1 5 s)
		198-201.	Invert Single Tube 4 Off (hold 1,5s)	Invert single tube 4 off (hold 1 5 s)
		202-205.	Invert Single Tube 4 On (hold 1,5s)	Invert single tube 4 on (hold 1 5 s)
		206-209.	Swap RGB Panels Off (hold 1,5s)	Swap RGB panels off
		210-213.	Swap RGB Panels On (hold 1,5s)	Swap RGB panels on
		214-217.	Swap Single Tubes Off (hold 1,5s)	Switch single tube off
		218-221.	Swap Single Tubes On (hold 1,5s)	Swap single tubes on (hold 1
		222-224.	No function	No function
		225-229.	LED Mode - Illumination (hold 1,5s)	Low power mode
		230-234.	LED Mode-Boost (hold 1,5s)	High power mode
		235-237.	No function	No function
		238-242.	Factory Reset (hold 3s)	Factory reset (Hold 3s)
		243-247.	User Reset (hold 3s)	User reset (hold 3s)
		248-255.	No function	No function
9	Single Tube 1 - Pixel 1 - Intensity	000-255.	Single tube one dimmer	A length of dimming

10	Single Tube 1 - Pixel 2 - Intensity	000-255.	Single tube one dimmer	Second dimmer
11	Single Tube 1 - Pixel 3 - Intensity	000-255.	Single tube one dimmer	Three dimmers
12	Single Tube 1 - Pixel 4 - Intensity	000-255.	Single tube one dimmer	Four dimmers
13	Single Tube 1 - Pixel 5 - Intensity	000-255.	Single tube, one dimmer	Five dimmers
14	Single Tube 1 - Pixel 6 - Intensity	000-255.	Single tube one dimmer	Six dimmers
15	Single Tube 1 - Pixel 7 - Intensity	000-255.	Single tube one dimmer	Seven dimmers
6	Single Tube 1 - Pixel 8 - Intensity	000-255.	Single tube one dimmer	Eight dimming stages
17	Single Tube 1 - Pixel 9 - Intensity	000-255.	Single tube one dimmer	Nine dimmers
18	Single Tube 1 - Pixel 10 - Intensity	000-255.	Single tube one dimmer	Ten dimmers
19	Single Tube 1 - Pixel 11 - Intensity	000-255.	Single tube one dimmer	Eleven dimmers
20	Single Tube 1 - Pixel 12 - Intensity	000-255.	Single tube one dimmer	Twelve dimmers
21	Single Tube 2 - Pixel 1 - Intensity	000-255.	Single tube 2 Dimmer	A length of dimming
22	Single Tube 2 - Pixel 2 - Intensity	000-255.	Single tube 2 Dimmer	Second dimmer
23	Single Tube 2 - Pixel 3 - Intensity	000-255.	Single tube 2 Dimmer	Three dimmers
24	Single Tube 2 - Pixel 4 - Intensity	000-255.	Single tube 2 Dimmer	Four dimmers
25	Single Tube 2 - Pixel 5 - Intensity	000-255.	Single tube 2 Dimmer	Five dimmers
26	Single Tube 2 - Pixel 6 - Intensity	000-255.	Single tube 2 Dimmer	Six dimmers
27	Single Tube 2 - Pixel 7 - Intensity	000-255.	Single tube 2 Dimmer	Seven dimmers
28	Single Tube 2 - Pixel 8 - Intensity	000-255.	Single tube 2 Dimmer	Eight dimmers
29	Single Tube 2 - Pixel 9 - Intensity	000-255.	Single tube two dimming	Nine dimmers
30	Single Tube 2 - Pixel 10 - Intensity	000-255.	Single tube 2 Dimmer	Ten dimmers
31	Single Tube 2 - Pixel 11 - Intensity	000-255.	Single tube 2 Dimmer	Eleven dimmers
32	Single Tube 2 - Pixel 12 - Intensity	000-255.	Single tube 2 Dimmer	Twelve segments dimming

33	Single Tube 3 - Pixel 1 - Intensity	000-255.	Single tube three dimmers	A length of dimming
34	Single Tube 3 - Pixel 2 - Intensity	000-255.	Single tube three dimmers	Second dimmer
35	Single Tube 3 - Pixel 3 - Intensity	000-255.	Single tube three dimmers	Three dimmers
36	Single Tube 3 - Pixel 4 - Intensity	000-255.	Single tube three dimmers	Four dimmers
37	Single Tube 3 - Pixel 5 - Intensity	000-255.	Single tube three dimmers	Five dimmers
38	Single Tube 3 - Pixel 6 - Intensity	000-255.	Single tube three dimmers	Six dimmers
39	Single Tube 3 - Pixel 7 - Intensity	000-255.	Single tube three dimmers	Seven dimmers
40	Single Tube 3 - Pixel 8 - Intensity	000-255.	Single tube three dimmers	Eight dimmers
41	Single Tube 3 - Pixel 9 - Intensity	000-255.	Single tube three dimmers	Nine dimmers
42	Single Tube 3 - Pixel 10 - Intensity	000-255.	Single tube three dimmers	Ten dimmers
43	Single Tube 3 - Pixel 11 - Intensity	000-255.	Single tube three dimmers	Eleven dimmers
44	Single Tube 3 - Pixel 12 - Intensity	000-255.	Single tube three dimmers	Twelve dimmers
45	Single Tube 4 - Pixel 1 - Intensity	000-255.	Single tube four dimming	A length of dimming
46	Single Tube 4 - Pixel 2 - Intensity	000-255.	Single tube four dimmers	Two dimmers
47	Single Tube 4 - Pixel 3 - Intensity	000-255.	Single tube four dimmers	Three dimmers
48	Single Tube 4 - Pixel 4 - Intensity	000-255.	Single tube four dimmers	Four dimming stages
49	Single Tube 4 - Pixel 5 - Intensity	000-255.	Single tube four dimmers	Five dimmers
50	Single Tube 4 - Pixel 6 - Intensity	000-255.	Single tube four dimmers	Six dimmers
51	Single Tube 4 - Pixel 7 - Intensity	000-255.	Single tube four dimmers	Seven dimmers
52	Single Tube 4 - Pixel 8 - Intensity	000-255.	Single tube four dimmers	Eight dimmers
53	Single Tube 4 - Pixel 9 - Intensity	000-255.	Single tube four dimmers	Nine dimmers
54	Single Tube 4 - Pixel 10 - Intensity	000-255.	Single tube four dimmers	Ten dimmers
55	Single Tube 4 - Pixel 11 - Intensity	000-255.	Single tube four dimmers	Eleven dimmers

56	Single Tube 4 - Pixel 12 - Intensity	000-255.	Single tube four dimmers	Twelve dimmers
57	RGB Panel 1 - Red 1	000-255.	RGB Panel one dimmer	Red One
58	RGB Panel 1 - Green 1	000-255.	RGB Panel one dimmer	Green One
59	RGB Panel 1 - Blue 1	000-255.	RGB Panel one dimmer	Blue One
60	RGB Panel 1 - Red 2	000-255.	RGB Panel one dimmer	Red Two
61	RGB Panel 1 - Green 2	000-255.	RGB panel a dimmer	Green Two
62	RGB Panel 1 - Blue 2	000-255.	RGB Panel one dimmer	Blue Two
63	RGB Panel 1 - Red 3	000-255.	RGB Panel one dimmer	Red Three
64	RGB Panel 1 - Green 3	000-255.	RGB Panel one dimmer	Green three
65	RGB Panel 1 - Blue 3	000-255.	RGB Panel one dimmer	Blue Three
66	RGB Panel 1 - Red 4	000-255.	RGB Panel one dimmer	Red Four
67	RGB Panel 1 - Green 4	000-255.	RGB Panel one dimmer	Green Four
68	RGB Panel 1 - Blue 4	000-255.	RGB Panel one dimmer	Blue Four
69	RGB Panel 1 - Red 5	000-255.	RGB Panel one dimmer	Red Five
70	RGB Panel 1 - Green 5	000-255.	RGB Panel one dimmer	Green Five
71	RGB Panel 1 - Blue 5	000-255.	RGB Panel one dimmer	Blue Five
72	RGB Panel 1 - Red 6	000-255.	RGB Panel one dimmer	Red Six
73	RGB Panel 1 - Green 6	000-255.	RGB Panel one dimmer	Green Six
74	RGB Panel 1 - Blue 6	000-255.	RGB Panel one dimmer	Blue Six
75	RGB Panel 2 - Red 1	000-255.	RGB Panel 2 Dimmer	Red One
76	RGB Panel 2 - Green 1	000-255.	RGB Panel 2 Dimmer	Green One
77	RGB Panel 2 - Blue 1	000-255.	RGB panel two dimming	Blue One
78	RGB Panel 2 - Red 2	000-255.	RGB Panel 2 Dimmer	Red Two
79	RGB Panel 2 - Green 2	000-255.	RGB Panel 2 Dimmer	Green Two
80	RGB Panel 2 - Blue 2	000-255.	RGB Panel 2 Dimmer	Dicarboxylic acid
81	RGB Panel 2 - Red 3	000-255.	RGB Panel 2 Dimmer	Red Three
82	RGB Panel 2 - Green 3	000-255.	RGB Panel 2 Dimmer	Green Three
83	RGB Panel 2 - Blue 3	000-255.	RGB Panel 2 Dimmer	Blue Three
84	RGB Panel 2 - Red 4	000-255.	RGB Panel 2 Dimmer	Red Four
85	RGB Panel 2 - Green 4	000-255.	RGB Panel 2 Dimmer	Green Four
86	RGB Panel 2 - Blue 4	000-255.	RGB Panel 2 Dimmer	Blue Four
87	RGB Panel 2 - Red 5	000-255.	RGB Panel 2 Dimmer	Red Five
88	RGB Panel 2 - Green 5	000-255.	RGB Panel 2 Dimmer	Green Five
89	RGB Panel 2 - Blue 5	000-255.	RGB Panel 2 Dimmer	Blue Five

90	RGB Panel 2 - Red 6	000-255.	RGB Panel 2 Dimmer	Red Six
91	RGB Panel 2 - Green 6	000-255.	RGB Panel 2 Dimmer	Green Six
92	RGB Panel 2 - Blue 6	000-255.	RGB Panel 2 Dimmer	Blue Six
93	RGB Panel 3 - Red 1	000-255.	RGB panel three dimmers	Red One
94	RGB Panel 3 - Green 1	000-255.	RGB panel three dimmers	Green One
95	RGB Panel 3 - Blue 1	000-255.	RGB panel three dimmers	Blue One
96	RGB Panel 3 - Red 2	000-255.	RGB panel three dimmers	Red mushroom
97	RGB Panel 3 - Green 2	000-255.	RGB panel three dimmers	Green Two
98	RGB Panel 3 - Blue 2	000-255.	RGB panel three dimmers	Blue Two
99	RGB Panel 3 - Red 3	000-255.	RGB panel three dimmers	Red Three
100	RGB Panel 3 - Green 3	000-255.	RGB panel three dimmers	Green Three
101	RGB Panel 3 - Blue 3	000-255.	RGB panel three dimmers	Blue Three
102	RGB Panel 3 - Red 4	000-255.	RGB panel three dimmers	Red Four
103	RGB Panel 3 - Green 4	000-255.	RGB panel three dimmers	Green Four
104	RGB Panel 3 - Blue 4	000-255.	RGB panel three dimmers	Blue Four
105	RGB Panel 3 - Red 5	000-255.	RGB panel three dimmers	Red Five
106	RGB Panel 3 - Green 5	000-255.	RGB panel three dimmers	Green Five
107	RGB Panel 3 - Blue 5	000-255.	RGB panel three dimmers	Blue Five
108	RGB Panel 3 - Red 6	000-255.	RGB panel three dimmers	Red Six
109	RGB Panel 3 - Green 6	000-255.	RGB panel three dimmers	chlorhexane
110	RGB Panel 3 - Blue 6	000-255.	RGB panel three dimmers	Blue Six

Gels - Color Macros for Standalone Mode			
Position	Gel Name	Color Number	note
1	Red	100% Red LED	
2	Fire	LEE 019	
3	Medium Red	LEE 029	
4	Primary Red	LEE 106	
5	Med Amber	LEE 020	
6	Dark Amber	LEE 022	
7	Deep Amber	LEE 104	
8	Orange	LEE 105	
9	Deep Golden Amber	LEE 135	
10	Yellow	LEE 101	
11	Green	100% Green LED	
12	Lime Green	LEE 088	

13	Moss Green	LEE 089	
14	LEE Green	LEE 121	
15	Primary Green	LEE 139	
16	Jas Green	LEE 738	
17	jade	LEE 323	
18	Blue	100% Blue LED	
19	Sky Blue	LEE 068	
20	Tokyo Blue	LEE 071	
21	Light Blue	LEE 118	
22	Marine Blue	LEE 131	
23	Med Blue	LEE 132	
24	Congo Blue	LEE 181	
25	Mikkel Blue	LEE 716	
26	Rose Pink	LEE 002	
27	Med Pink	LEE 036	
28	Light Lavender	LEE 052	
29	Lavender	LEE 058	
30	Magenta	LEE 113	
31	Mauve	LEE 126	
32	Smokey Pink	LEE 127	
33	Special Med Lavender	LEE 343	
34	Ultimate Violet	LEE 707	
35	Magical Magenta	LEE 795	
36	Chrysalis Pink	LEE 798	
37	Specia KH Lavender	LEE 799	
38	Bulb White	2700K	
39	Halogen White	3200K	
40	Neutral White	4200K	
41	Daylight White	5600K	
42	Cold White I	6000K	
43	Cold White II	6300K	
44	White	100% White LED	if not availble use no function
45	Amber	100% Amber LED	if not availble use no function
46	Lime	100% Lime LED	if not availble use no function
47	Cyan	100% Cyan LED	if not availble use no function

Gels - Color Macros for DMX			
DMX value	Gel Name	Color Number	note
000-005.	no function		
006-008.	Red	100% Red LED	
009-011.	Fire	LEE 019	
012-014.	Bright Red	LEE 026	

015-017.	Primary Red	LEE 106		
018-020.	Med Amber	LEE 020		
021-023.	Dark Amber	LEE 022		
024-026.	Deep Amber	LEE 104		
027-029.	Orange	LEE 105		
030-032.	Deep Golden Amber	LEE 135		
033-035.	Yellow	LEE 101		
036-038.	Green	100% Green LED		
039-041.	Lime Green	LEE 088		
042-044.	Moss Green	LEE 089		
045-047.	LEE Green	LEE 121		
048-050.	Primary Green	LEE 139		
051-053.	Jas Green	LEE 738		
054-056.	jade	LEE 323		
057-059.	Blue	100% Blue LED		
060-062.	Sky Blue	LEE 068		
063-065.	Tokyo Blue	LEE 071		
066-068.	Light Blue	LEE 118		
069-071.	Marine Blue	LEE 131		
072-074.	Med Blue	LEE 132		
075-077.	Congo Blue	LEE 181		
078-080.	Mikkel Blue	LEE 716		
081-083.	Rose Pink	LEE 002		
084-086.	Med Pink	LEE 036		
087-089.	Light Lavender	LEE 052		
090-092.	Lavender	LEE 058		
093-095.	Magenta	LEE 113		
096-098.	Mauve	LEE 126		
099-101.	Smokey Pink	LEE 127		
102-104.	Special Med Lavender	LEE 343		
105-107.	Ultimate Violet	LEE 707		
108-110.	Magical Magenta	LEE 795		
111-113.	Chrysalis Pink	LEE 798		
114-116.	Specia KH Lavender	LEE 799		
117-119.	Bulb White	2700K		
120-122.	Halogen White	3200K		
123-125.	Neutral White	4200K		
126-128.	Daylight White	5600K		
129-131.	Cold White I	6000K		
132-134.	Cold White II	6300K		
135-137.	White	100% White LED	if not availble use no function	
138-140.	Amber	100% Amber LED	if not availble use no function	
141-143.	Lime	100% Lime LED	if not availble use no function	
144-146.	Cyan	100% Cyan LED	if not availble use no function	
147-149.	User Color 1		if not availble use no function	

150-152.	User Color 2		if not available use no function	
153-155.	User Color 3		if not available use no function	
156-158.	User Color 4		if not available use no function	
159-161.	User Color 5		if not available use no function	
162-164.	Color Jumping stop			
165-209.	Color Jumping speed slow -> fast	color 1-37		
210-255.	Color fading speed slow-> fast	color 1-37		

Channel priority: Dimming > Built-in Program Call > User Program Call > ARGBW Dimming > HSV Dimming > Macro Instruction > Color temperature

Maintenance

In order to extend the service life of the lamp, the maintenance of the lamp is very necessary. The outdoor use environment is harsh, or the lamp will be placed for a long time

The lens cover, the lamp shell and other parts accumulate moisture, dust, at this time need to clean the lamp to optimize the light effect output, but also to prevent dust and acid

The gas will cause corrosion to the shell.

The frequency of cleaning depends on the operating frequency of the lamp and the surrounding environment. When cleaning with a soft cloth and general glass cleaning products to carefully wipe, it is recommended

Clean at least once every 20 days.

Do not wipe the luminaires housing with organic solvents such as alcohol to avoid damage.

General Troubleshooting

Fault phenomena	Cause of the fault	Handling method
No menu display	<ol style="list-style-type: none"> 1. No AC input 2. The switching power supply is damaged 3. The display board is faulty 	<ol style="list-style-type: none"> 1. Check the power supply line 2. Check whether the switching power supply has voltage output 3. Replace the display board
No DMX signal is being received	<ol style="list-style-type: none"> 1. The DMX signal cable is faulty 2. The sequence of connecting signal cables is incorrect 3. The receiving signal IC at the signal input terminal is damaged 4. DMX address code setup and console The corresponding control does not match 5. Other parameters are incorrectly set 	<ol style="list-style-type: none"> 1. Check or replace the signal cable 2. Check the wiring sequence of signal cables 3. Check that the display board signal accepts IC and The two resistors strung along the signal line are open 4. Check or reset the address code Or restore the factory Settings and test again 5 Press Esc to exit to the main menu

	6. Do not press the confirm button after entering the menu Or Esc key exit to the main menu	
The light body surface temperature is over 75° Cannot be protected by temperature control	1. The thermistor on the LED lamp bead board is faulty 2. The temperature control circuit on the display board is faulty	1. Replace the thermistor 2 Check the temperature control circuit on the motherboard
The cast light does not mix evenly Uneven color spots	1.LED welding is not correct 2. The lens or bracket is not properly mounted	1. Check the LED bead welding condition 2. Check the lens assembly process, Adjust the assembly direction of the bracket
The light bead does not shine or flickers a little	The LED is damaged or the driver board has no current output	1. Replace the LED light bead 2 Replace the damaged LED Or check the driver board wiring 3. Replace the driver IC
Parameters are not saved	The IC used to store the parameters is damaged	Replace the storage IC
The whole light is powered on and does not work	When the temperature is too high, temperature control protection is caused Switching power supply overtemperature protection does not work	Let the lamp body cool before turning it on

Lamp parameters

Technical parameter sheet:

Optical parameters	
Light Source	Red, Green, Blue, White
Illuminance ALL	@1 m Lux38650; @3m Lux5055; @5m Lux1900; @7m Lux1034; @10m Lux502
Temperature	6000K WW: 2000K-10000K (±100K)
Optical system	Reflectors for the lens
Color rendering index	Ra≥84
Master wavelength	R625nM/G528nM/B460nM
Light source life	50,000 hours
Beam Angle (50%)	66 °
Maximum field Angle (10%)	108 °
Pixel Matrix	Segment control/overall control
Stroboscopic	0 to 30Hz
Power supply parameters	
Input voltage and frequency	100 to 240VAC, 50 to 60Hz
Power connection	Waterproof power cord input/output, maximum number of connections 4 @230V
Signal connections	Three core waterproof signal adapter input/output, the maximum number of connections 30 units
Constant power	700W
Maximum power	1200W
Power factor	0.95/230 v
Working environment	-20 ~ 45°C
Structural parameter	
Dimensions	Product size: 400*200*172mm
Weight	Net weight: 11.6 kg

Level of protection	IP65
Cooling system	Fan heat dissipation
Housing	Die cast aluminum, black (customizable color)
Mounting method	Flat ground, vertical hanging, side hanging
Controls	
Control style	DMX512 /RDM/Art-Net/sCAN protocol
DMX channel	16CH/30CH/62CH/118CH/221CH/188CH/291CH/110CH
Display	OLED display with 4 tap buttons
Refresh rate	800Hz/1200Hz/2000Hz/3600Hz/12000Hz/25000Hz
Dimming delay	LED/Medium/Halogen
Dimmer curve selection	Linear /Exponential/Logarithmic/S-Curve
Accessories	
Standard Accessories	Eurospec waterproof power cord 1PCS; Manual 1PCS

Outline dimensional drawing

