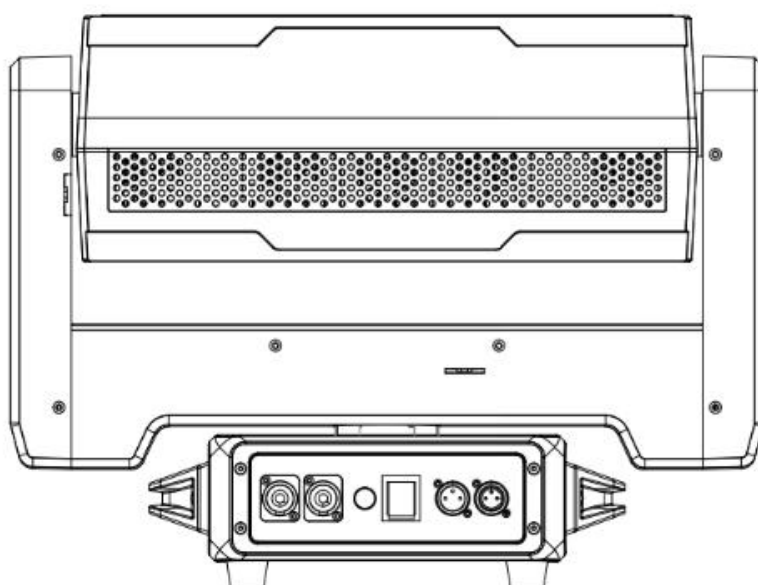


Blade 2i

5x 60W RGBW 4-in-1 Pixel bar



USER MANUAL

KEEP THIS USER MANUAL FOR FUTURE NEEDS

1.Safety Instructions

WARNING

Please keep this User Guide for future consultation. If you sell the unit to another user, be sure that they also receive this instruction manual.

Important:

Damages caused by the disregard of this user manual are not subject to warranty. The dealer will not accept liability for any resulting defects or problems.

- Unpack and check carefully to ensure that there is no transportation damage before using the unit.
 - This product is for indoor use only. Use only in a dry location.
 - DO install and operate by qualified operator.
 - DO NOT allow children to operate the fixture.
 - Use safety chain when fixing the unit. Handle the unit by carrying its base instead of head only.
 - The unit must be installed in a location with adequate ventilation, at least 50cm from adjacent surfaces.
 - Be sure that no ventilation slots is blocked, otherwise the unit will be overheated.
 - Before operation, ensure that you are connecting this product to the proper voltage in accordance with the specifications in this manual or on the product's specification label.
 - It's important to ground the yellow/green conductor to earth in order to avoid electric shock.
 - Minimum ambient temperature TA: 0°C. Maximum ambient temperature TA: 40°C. Do not operate this product at a lower or higher temperature.
 - DO NOT connect the device to any dimmer pack.
 - Keep flammable materials away from the fixture while operating to avoid fire hazard.
 - Make sure the power cord is not crimped or damaged; replace it immediately if damaged.
 - Unit's surface temperature may reach up to 75°C. DO NOT touch the housing bare-handed during its operation.
 - Avoid any flammable liquids, water or metal from entering the unit. Once it happens, cut off the mains power immediately.
- Please read the instruction carefully which includes important information about the installation, usage and maintenance.

2D● DO NOT operate in a dirty or dusty environment. DO clean the fixture regularly.

- DO NOT touch any wire during operation as there might be a hazard of electric shock.
- Avoid entanglement of the power cord with other wires.
- The minimum distance to objects/surface must be more than 0.5 meters.
- Disconnect mains power before fuse replacement or servicing.
- Replace fuse only with the same type.
- In the event of serious operating problem, stop using the unit immediately.
- Never turn on and off the unit time after time.
- The housing, the lenses, or the ultraviolet filter must be replaced if they are visibly damaged.
- DO NOT open the housing as there are no user serviceable parts inside.
- DO NOT attempt to operate this unit if it becomes damaged. DO NOT attempt any repairs

yourself. Repairs carried out by unskilled people can lead to damage or malfunction. Please

contact the nearest authorized technical assistance center if needed.

- Disconnect this product from its power source before servicing.
- DO use the original packaging if the device is to be transported.
- Avoid direct eye exposure to the light source while the product is on.
- DO NOT operate this product if you see damage on the housing, shields, or cables. Have the

Installation:

The fixture should be fixed on the clamp. Always ensure that the unit is firmly fixed to avoid

vibration and slipping off during operation. Ensure that the trussing or area of installation must be

able to hold 10 times the weight without any deformation. Always install a safety cable that can

hold at least 12 times the weight of the fixture when installing.

DO install and operate by qualified operator. It must be installed in a place where there is out of the reach of people

2. Technical Specifications:

Power Voltage:

100-240V~ 50/60Hz

Power Consumption:

500W

Light Source:

Front side: 5pcs 60w RGBW 4in1 LED Pixel control

Back: 42pcs 3W 3535 White LED + 84pcs 0.3W 5050 RGB 3in1 LED

Back side: 14 sections pixel control, each section 9pcs led.

Zoom Angle:

2.8°-50°

Movement:

Pan/Tilt movement: 360°infinite rotating

Fixation: Pan/Tilt Lock

Dimmer/Shutter:

Smooth dimming from 0-100%; outstanding strobe effect with variable speed

Control:

DMX Channel: 24/29/105 Channels

Control Mode: DMX512,Auto

Firmware Upgrade via DMX link

Construction:

Display: LCD display

Battery backup, for user setup without power connection

Data In/Out: 3-pin XLR (5-pin XLR is optional),

Power In/Out: Power Connector in/out

Protection Rating: IP20

Features:

With zoom and strobe function

Beam mode: 5 LEDs can be controlled individually

Strobe mode: 18 zone can be controlled individually

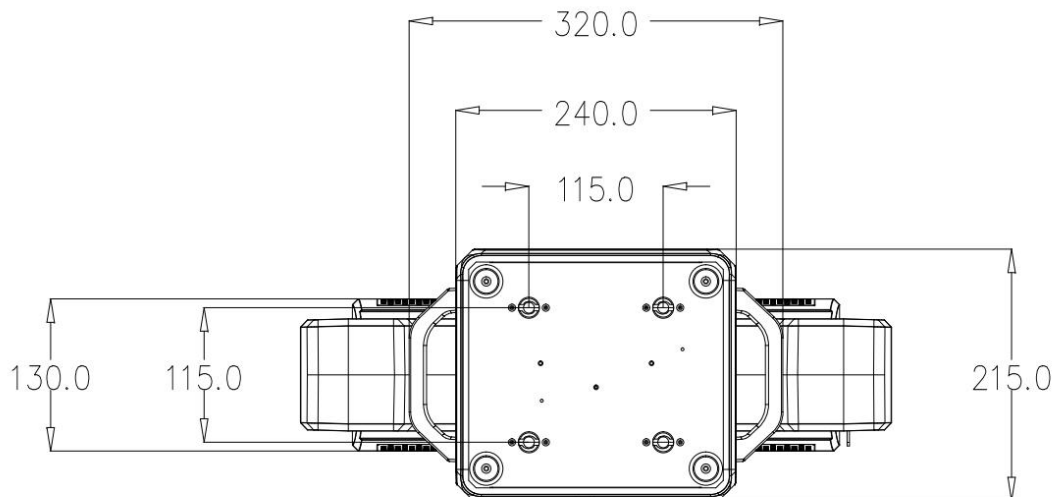
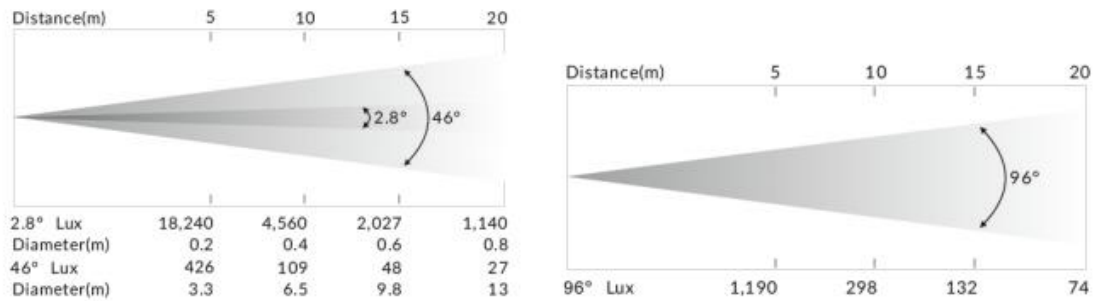
Linear motorized zoom

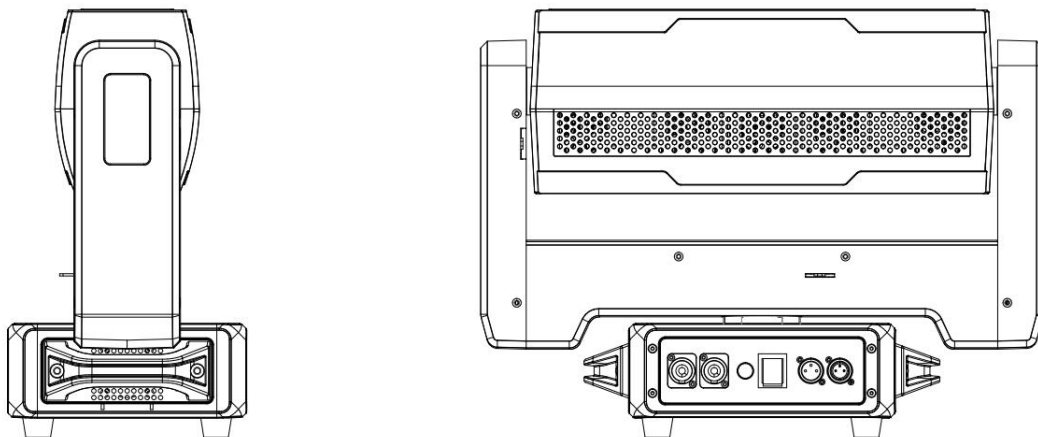
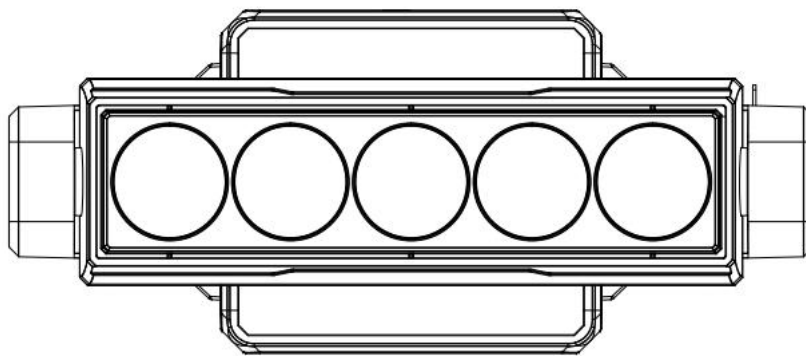
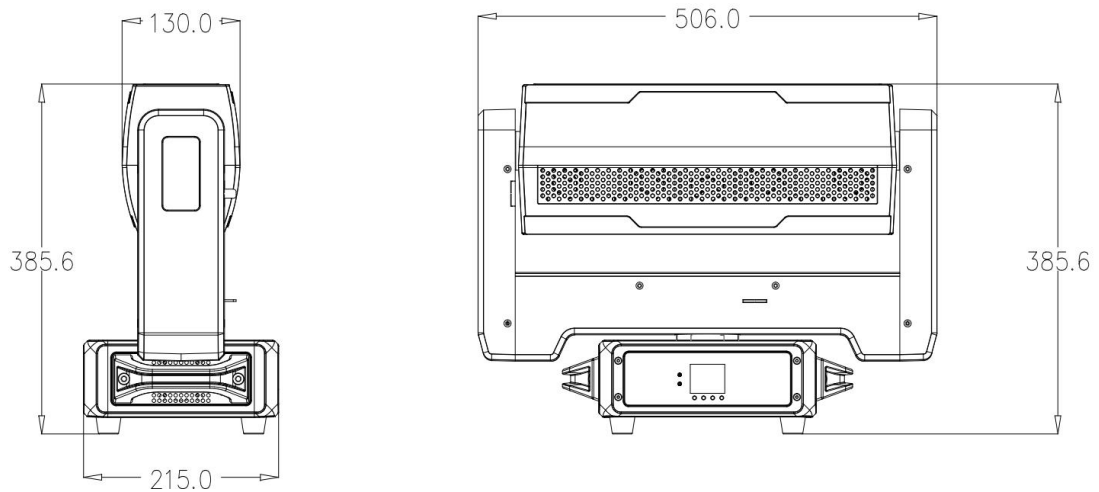
Outstanding color mixing effect

Dimensions/Weight:

506x215x385.6mm, 15kgs

Photometric Diagram:





3. Operation Instructions

-The moving head is for wash effect for on-site decoration purpose.

-Don't turn on the fixture if it's been through severe temperature difference like after transportation because it might damage the light due to the environment changes. So make sure to operate the fixture until it is in normal temperature.

-This light should be keep away from strong shaking during any transportation or movement. -Don't pull up the light by only the head, or it might cause damages to

the mechanical parts. -Don't expose the fixture in overheat, moisture or environment with too much dust when installing it. And don't lay any power cables on the floor. Or it might cause electronic shock to the people. -Make sure the installation place is in good safety condition before installing the fixture.

-Make sure to put the safety chain and check whether the screws are screwed properly when installing the fixture.

-Make sure the lens are in good condition. It's recommended to replace the units if there are any damages or severe scratch.

-Make sure the fixture is operated by qualified personnel who knows the fixture before using. -Keep the original packages if any second shipment is needed.

-Don't try to change the fixtures without any instruction by the manufacturer or the appointed repairing agencies.

-It is not in warranty range if there are any malfunctions from not following the user manual to operate or any illegal operation, like shock short circuit, electronic shock, lamp broke, etc.

4. Mounting and Installation

Cautions: For added protection mount the fixtures in areas outside walking paths, seating areas, or in areas where the fixture might be reached by unauthorized personnel.

Before mounting the fixture to any surface, make sure that the installation area can hold a minimum point load of 10 times the device's weight.

Fixture installation must always be secured with a secondary safety attachment, such as an appropriate safety cable.

Never stand directly below the device when mounting, removing, or servicing the fixture from a periodic safety inspection of all installation material and the fixture. If you lack these qualifications, do not attempt the installation yourself. Improper installation can result in bodily injury.

Be sure to complete all rigging and installation procedures before connecting the main power cord to the appropriate wall outlet.

Clamp Mounting: The LEDBEAM 190w provides a unique mounting bracket assembly that integrates the bottom of the base, the included "Omega Bracket," and the safety cable rigging point in one unit (see the illustration below). When mounting this fixture to truss be sure to secure an appropriately rated clamp to the included omega bracket using a M10 screw fitted through the center hole of the

“omega bracket”. As an added safety measure be sure to attached at least one properly rated safety cable to the fixture using on of the safety cable rigging point integrated in the base assembly

Regardless of the rigging option you choose for your 19pcs zoom, always be sure to secure your fixture with a safety cable. The fixture provides a built-in rigging point for a safety cable on the hanging bracket as illustrated above. Be sure to only use the designated rigging point for the safety cable and never secure a safety cable to a carrying handle.

5. Menu Operations

Operate instruction details

Version: V1.00		
Address	1-512	
RUN	DMX512	
	Auto	
DMX MODE	CH24	
	CH29	
	CH105	
SET	DISPLAY	No/Yes
	Signal Keep	No/Yes
	Slave	No/Yes
INFO	Version	Vx.xx
MANUAL	Pan (X轴)	
	Tilt (Y轴)	
	:	
	:	
RESET	All Reset	No/Yes

6.DMX Channels

24 Channel:

24CH	CH name	CH value	CH function
1	Pan	0 - 255	Pan Rotation
2	PanFine	0 - 255	Pan Fine
3	Tilt	0 - 255	Tilt Rotation
4	TiltFine	0 - 255	Tilt Fine
5	Zoom	0 - 255	Zoom
6	Pan infinity	0 - 255	Pan infinity
7	Tilt infinity	0 - 255	Tilt infinity
8	Dim	0 - 255	Dim
9	Strobe	0 - 19	No function
		20 - 255	SLOW PULSATION - FAST
10	Red	0 - 255	0-100%
11	Green	0 - 255	0-100%
12	Blue	0 - 255	0-100%

13	White	0 - 255	0-100%
14	Background	0 - 255	Background
15	Background dim	0 - 255	Background dim
16	Scenes	0-10	No function
		11-20	Scenes 1
		:	:
		241-250	Scenes 24
		251-255	Scenes 1-24
17	Scenes speed	0 - 255	SLOW - FAST
18	Auxiliary light strobe	0 - 19	No function
		20 - 255	SLOW PULSATION - FAST
19	Auxiliary light Color	0-10	No function
		11-25	R
		24-40	G
		41-55	B
		56-70	W
		71-85	R+G
		86-100	R+B
		101-115	G+B
		116-130	R+W
		131-145	G+W
		146-160	B+W
		161-175	RGW
		176-190	RBW
191-205	GBW		
206-255	RGBW		
20	Auxiliary light Background	0 - 19	No function
		20 - 255	SLOW PULSATION - FAST
21	Auxiliary light Background color	0 - 255	0-100%
22	Auxiliary light scenes	0-10	No function
		11-20	Scenes 1
		:	:
		241-250	Scenes 24
		251-255	Scenes 1-24
23	Auxiliary light scenes speed	0-10	SLOW PULSATION - FAST
24	Reset	0 - 250	No function
		251 - 255	Reset

29 Channel:

29CH	CH name	CH value	CH function
1	Pan	0 - 255	Pan Rotation
2	PanFine	0 - 255	Pan Fine
3	Tilt	0 - 255	Tilt Rotation
4	TiltFine	0 - 255	Tilt Fine
5	XY Speed	0 - 255	XY Speed
6	Zoom	0 - 255	Zoom

7	Pan infinity	0 - 255	Pan infinity
8	Tilt infinity	0 - 255	Tilt infinity
9	Dim	0 - 255	Dim
10	Strobe	0 - 19	No function
		20 - 255	SLOW PULSATION - FAST
11	Red	0 - 255	0-100%
12	Green	0 - 255	0-100%
13	Blue	0 - 255	0-100%
14	White	0 - 255	0-100%
15	Background	0 - 255	Background
16	Background dim	0 - 255	Background dim
17	Scenes	0-10	No function
		11-20	Scenes 1
		:	:
		241-250	Scenes 24
		251-255	Scenes 1-24
18	Scenes speed	0 - 255	SLOW - FAST
19	Auxiliary light Dim	0 - 255	0-100%
20	Auxiliary light strobe	0 - 19	No function
		20 - 255	SLOW PULSATION - FAST
21	Red	0 - 255	R
22	Green	0 - 255	G
23	Blue	0 - 255	B
24	White	0 - 255	W
25	Auxiliary light Background	0 - 255	0-100%
26	Auxiliary light Background dim	0 - 255	0-100%
27	Auxiliary light scenes	0-10	No function
		11-20	Scenes 1
		:	:
		241-250	Scenes 24
		251-255	Scenes 1-24
28	Auxiliary light scenes speed	0-10	SLOW PULSATION - FAST
29	Reset	0 - 250	No function
		251 - 255	Reset

105 Channel:

105CH	CH name	CH value	CH function
1	Pan	0 - 255	Pan Rotation
2	PanFine	0 - 255	Pan Fine
3	Tilt	0 - 255	Tilt Rotation
4	TiltFine	0 - 255	Tilt Fine
5	XY Speed	0 - 255	XY Speed
6	Zoom	0 - 255	Zoom
7	Pan infinity	0 - 255	Pan infinity
8	Tilt infinity	0 - 255	Tilt infinity
9	Dim	0 - 255	Dim
10	Strobe	0 - 19	No function
		20 - 255	SLOW PULSATION - FAST

11	Red	0 - 255	0-100%
12	Green	0 - 255	0-100%
13	Blue	0 - 255	0-100%
14	White	0 - 255	0-100%
15	Background	0 - 255	Background
16	Background dim	0 - 255	Background dim
17	Scenes	0-10	No function
		11-20	Scenes 1
		:	:
		241-250	Scenes 24
		251-255	Scenes 1-24
18	Scenes speed	0 - 255	SLOW - FAST
19	Auxiliary light Dim	0 - 255	0-100%
20	Auxiliary light strobe	0 - 19	No function
		20 - 255	SLOW PULSATION - FAST
21	Red	0 - 255	R
22	Green	0 - 255	G
23	Blue	0 - 255	B
24	White	0 - 255	W
25	Auxiliary light Background	0 - 255	0-100%
26	Auxiliary light Background dim	0 - 255	0-100%
27	Auxiliary light scenes	0-10	No function
		11-20	Scenes 1
		:	:
		241-250	Scenes 24
		251-255	Scenes 1-24
28	Auxiliary light scenes speed	0-10	SLOW PULSATION - FAST
29	Reset	0 - 250	No function
		251 - 255	Reset
:	:	:	:
102	Auxiliary light R14	0-255	0-100%
103	G14	0-255	0-100%
104	B14	0-255	0-100%
105	W14	0-255	0-100%

7.Maintenance and Cleaning

The following points have to be considered during the inspection:

1. All screws for installing the devices or parts of the device have to be tightly connected and must not be corroded. 2. There must not be any deformations on the housing, color lenses, fixations and installation spots (ceiling, suspension, trussing). 3. Mechanically moved parts must not show any traces of wearing and must not rotate with unbalances. 4. The electric power supply cables must not show any damage, material fatigue or sediments.

Further instructions depending on the installation spot and usage have to be adhered by a skilled installer and any safety problems have to be removed.



In order to make the lights in good condition and extend the life time, we suggest a regular cleaning to the lights. 1) Clean the inside and outside lens each week to avoid the weakness of the lights due to accumulation of dust. 2) Clean the fan each week. 3) A detailed electric check by approved electrical engineer each three month, make sure that the circuit contacts are in good condition, prevent the poor contact of circuit from overheating.

We recommend a frequent cleaning of the device. Please use a moist, lint- free cloth. Never use alcohol or solvents. There are no serviceable parts inside the device. Please refer to the instructions under "Installation instructions". Should you need any spare parts, please order genuine parts from your local dealer

REMARK

The product has perfect performance and integrity packaging. All users should be strictly comply with the warning and operating instructions as stated. Or we aren't in charge of any result by misusing.

Any damage resulting by misuse is not within the Company's warranty.

Any fault or problem caused by neglecting the manual is also not in the charge of dealers. Errors and omissions for every information given in this manual excepted.

All information is subject to change without prior notice.