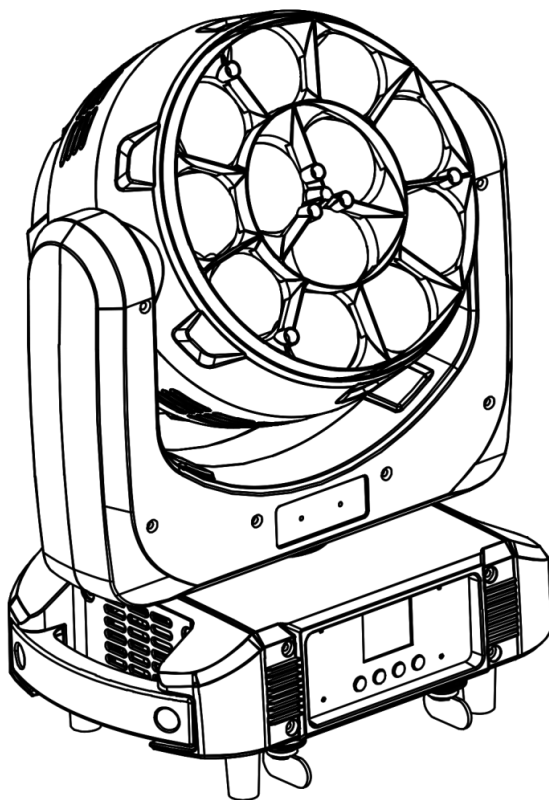




BEYE-1240-12x40W B EYE with Zoom



User Manual

Please read manual carefully before use

CONTENTS

1. Safety Instructions	3
2. Technical Specification	5
3. DMX Set Up	6
4. Display	7
5. Menu	8
6. LUX Data	10
7. DMX Channel List	11
8. Mounting	22
9. Product Size	24
10. Attention	24
11. Trouble Shooting	25
A. The unit does not work, no light and the fan does not work	25
B. Not responding to DMX controller	25
C. One of the channels is not working well	25
12. Fixture Cleaning	26

Thank you for choosing our LED lights. Each facility has been rigorously tested. Please check whether the facility has been damaged during transportation. If you find any parts are missing or broken, please contact the manufacturer immediately. Please do not return the product without any notice!

1. Safety Instructions



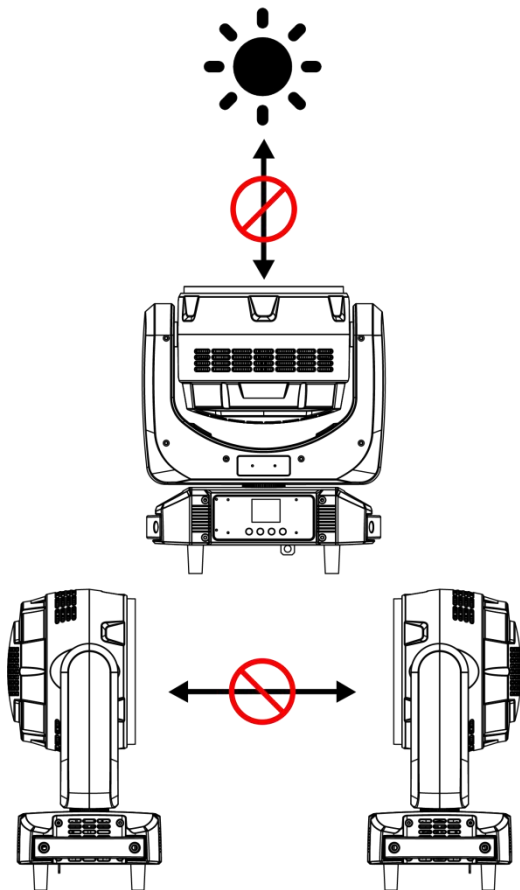
Please read this manual carefully, which includes important information on installation, use and maintenance.

Attention

- Please keep this USER MANUAL for future consultation. If you sell the facility to another user, be sure that they also receive this USER MANUAL.
- Please open and check in details and make sure there is no transportation damage.
- Before operating, ensure that the voltage and frequency of power supply match the power requirements of the facility.
- It's important to ground the yellow/green conductor to earth in order to avoid electric shock.
- The facility must be installed in a location with adequate ventilation, at least 50 cm from adjacent surfaces. Be sure that no ventilation slots are blocked.
- Make sure the power is disconnected before removing the facility.
- Make sure there are no flammable materials close to the unit while operating as it is fire hazard.
- Use safety cable when fixes this facility. Do not handle the facility by taking its head only, but always by taking its base.
- Maximum ambient temperature is 40 °C . Do not operate it where the temperature is higher than this.
- Please stop using the facility for serious operating problems. Stop using the facility immediately. Never try to repair the facility by yourself, but be a professional technician. Please contact the supplier's service department

for technical support.

- Do not touch any wire during operation as high voltage might be causing electric shock.
- When the housing or lens is damaged, it must be replaced.
- Direct sunlight or any other strong light source penetrating the lens of the light will cause serious internal damage to the facility. During unpacking, installation, use and long-term outdoor idleness, it is forbidden to expose the lens of the facility to direct sunlight or any other strong light source at any angle. It is forbidden to aim the beam of one light directly at another light.



Caution

There are no accessories available, do not open the housing and try to repair the facilities yourself. Please contact our company for after service.

Installation

The unit should be mounted via its screw holes on the bracket. Always ensure that the unit is firmly fixed to avoid vibration and slipping while operating. And make sure that the structure to which you are attaching the unit is secure and is able to support a weight of 10 times of the unit's weight. Also always use a safety cable that can hold 12 times of the weight of the unit when installing the fixture.

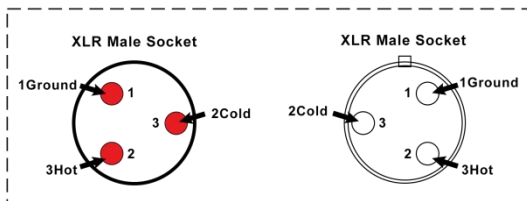
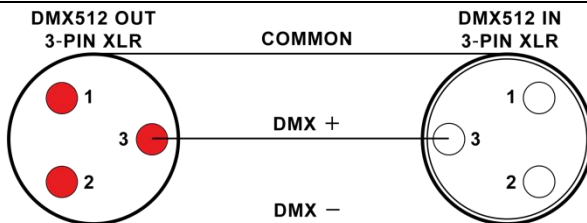
The facility must be installed by professionals, and keep it far away from fire, walking road, and easy touched place.

2. Technical Specification

Light Source	12*40W 4 in 1 RGBW LED
LED Lifetime	≥ 50000H
Power Voltage	AC100-240V , 50-60Hz
Power Consumption	400W, PF≥0.95
Beam Angle	3.5°-45°
Control Modes	DMX512/ Auto/ Sound/ Master-Slave/ Manual/ RDM
DMX Channel	21/ 25/ 33/ 81 Channel
Protection Rating	IP20
Display	TFT 1.8' colorful reversible display, CN/ EN language
Data In/Out Socket	3-pin& 5-pin XLR sockets
Power Socket	Power-Con in/ out

Housing Material	ABS High temperature resistant plastics		
Working Temperature	-10°C - 45°C		
Pan	540° accuracy 2.11°/step, fine-tuning accuracy: 0.008°		
Tilt	270° accuracy 0.86°/step, fine-tuning accuracy: 0.0034°		
Pan/Tilt Resolution	Automatically correct pan/tilt position		
MAX. Connection	8 units (230V, 50Hz) 1.5mm ² power cable		
	4 units (110V, 60Hz) 1.5mm ² power cable		
Dimension	324*240*383mm		
Net Weight	9.5kg		
Carton Package	397*313*452mm	1in1	G.W.: 12kg
	646*415*472mm	2in1	G.W.: 24kg
Flight Case	875*608*575mm	4in1	G.W.: 72.04kg
Features	Full light range dimming, 65536-level dimming accuracy. Fast strobe 1~25Hz. LED single control. Preset multiple macro-color, macro pattern effects. Uniform WASH effect. LED infinite rotation		
Configuration	Signal cable	1pc	
	Power cable	1pc	
	Manual	1pc	

3. DMX Set Up



XLR Pin Configuration
pin 1=Ground
pin 2=Data Compliment (negative)
pin 3=Data true (positive)

Pin1: Ground

pin2: Negative

pin3: Positive

DMX Connection

To ensure optimal transmission of DMX data, please connect facilities in the shortest way. The connection order won't affect the DMX address code. For example, if the address code is set to 1, no matter where the facility is connected, its address code will not change. This is determined by the principle of the DMX controller.

Operation method

You can operate in the following three modes:

- Auto mode - the light can automatically complete all color changes
- DMX control mode - each light can be individually controlled by a standard DMX512 console
- Master mode - any light can work as a host in any of the above modes, and the other lights will work synchronously as slaves

4. Display

There are four buttons on the LED panel: MENU, UP, DOWN, and ENTER.



MENU



UP



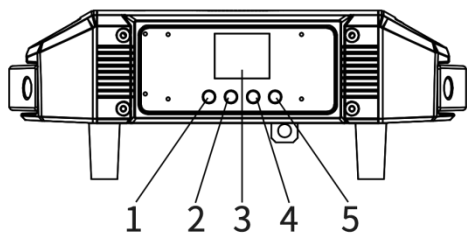
DOWN



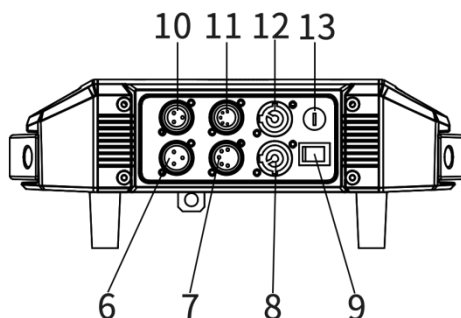
ENTER

"MENU" to exit or return to the previous menu, "UP" or "DOWN" to select the upper and lower menus or adjust the values, and "ENTER" to confirm.

FRONT VIEW



REAR VIEW



After powering on, the facility will automatically return to the last operation when it was powered off, then get into standby status. For more details, please refer to the information below↓

5. Menu

Menu	1. Pan Degree	1. 540 2. 360	Pan setting
	2. Mic Sense	001-100	Sound sensitivity setting
	3. Language	1. English	Language setting

		2. Chinese	
	4. No Signal	1. Block Out 2. Hold	Status setting(no signal)
	5. Fan Set	1. Auto 2. Low 3. High	Fan speed setting
	6. Reset	1. Yes	Reset
		2. No	
	7. Default	1. Yes	Reset to default
		2. No	
	8. Adjust	Pass Word: ****	Change Pan/ Tilt/ Focus/ Rota value to adjust angle
		1. Pan: 0-255	
		2. Tilt: 0-255	
		3. Focus: 0-255	
		4. Rota: 0-255	Change R/ G/ B/ W value to adjust White Balance
		5. Red: 0-255	
		6. Green: 0-255	
		7. Blue: 0-255	
	8. White: 0-255		
Addr		001-512	Address setting: 001-512
Rever	1. Pan	1. YES 2. NO	Pan/ Tilt/ Display rever setting
	2. Tilt	1. YES 2. NO	
	3. Display	1. YES 2. NO	
Info		1. CH Value	Channels information
		2. Tem**°C	LED temperature
		3. Soft V1.1	Program version
Mode	1. DMX512		Control mode
	2. Auto	1. Master	
		2. Alone	
	3. Sound	1. Master	
		2. Alone	
	4. Manual	1. Master	1. Pan: 0-255
2. Tilt: 0-255			
3. Focus: 0-255			

		2. Alone	4. Rota: 0-255	
			5. Red: 0-255	
			6. Green: 0-255	
			7. Blue: 0-255	
			8. White: 0-255	
9. Strobe: 0-255				
Channel	1. 21 Channels	21 Channels	Channels setting	
	2. 25 Channels	25 Channels		
	3. 33 Channels	33 Channels		
	4. 81 Channels	81 Channels		

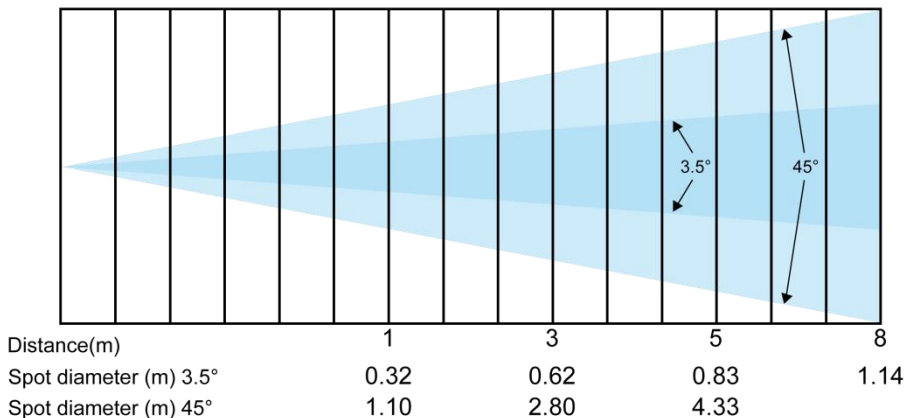
6. LUX Data

Beam Angle = 3.5°

R lux	15300	10100	4300	1620
G lux	33400	23400	9300	3520
B lux	6490	4520	1700	643
W lux	42300	29200	11900	4530
4in1 lux	86900	59700	24300	9200

Beam Angle = 45°

R lux	5130	635	215	88
G lux	11300	1340	499	198
B lux	2170	259	99	38
W lux	14100	1760	585	241
4in1 lux	29400	3690	1230	507



7. DMX Channel List

► 21CH Mode

CH	Function	DMX Value	Description
1	Red	0-255	Red dimming
2	Red adjust	0-255	Red fine adjustment
3	Green	0-255	Green dimming
4	Green adjust	0-255	Green fine adjustment
5	Blue	0-255	Blue dimming
6	Blue adjust	0-255	Blue fine adjustment
7	White	0-255	White dimming
8	White adjust	0-255	White fine adjustment
9	Color Temperature	0-15	No function
		16-35	R 100%, G up, B 0%
		36-55	R down, G 100%, B 0%
		56-75	R 0%, G 100%, B up
		76-95	R 0%, G down, B 100%
		96-115	R up, G 0%, B 100%
		116-135	R 100%, G 0%, B down
		136-155	R 100%, G up, B up
		156-175	R down, G down, B 100%
		176-195	R 100%, G 100%, B 100%, W 100%
		196-200	2800K
		201-205	3200K
		206-210	4000K
		211-215	4500K
		216-220	5000K
		221-225	5600K
226-230	6500K		
231-235	7000K		

CH	Function	DMX Value	Description
		236-240	7500K
		241-255	8000K
10	Macro Color	0-19	No function
		10-19	Effect 1
		20-29	Effect 2
		10 numbers 1 effect
		240-249	Effect 24
		250-255	Effect 25
11	Dimmer	0-255	From dark to bright
12	Dimmer adjust	0-255	Dimming fine adjustment
13	Strobe	0-3	Strobe dimming
		4-203	From slow to fast
		204-255	Random strobe
14	Pan	0-255	Pan adjustment
15	Pan adjust	0-255	Pan fine adjustment
16	Tilt	0-255	Tilt adjustment
17	Tilt adjust	0-255	Tilt fine adjustment
18	Zoom	0-255	From narrow to wide
19	Lens rotation	0-155	0~60°
		156-205	Clockwise infinite rotation
		206-255	Counterclockwise rotation
20	Dimming Mode	0-49	Mode 1
		50-99	Mode 2
		100-149	Mode 3
		150-255	Mode 4
21	Reset	0-250	No function
		251-255	Reset within 5s

► 25CH Mode

CH	Function	DMX Value	Description
1	Pan	0-255	Pan adjustment
2	Pan adjust	0-255	Pan fine adjustment
3	Tilt	0-255	Tilt adjustment
4	Tilt adjust	0-255	Tilt fine adjustment
5	Pan/Tilt speed	0-255	From fast to slow
6	Zoom	0-255	From narrow to wide
7	Lens rotation	0-155	0~60°
		156-205	Clockwise infinite rotation from fast to slow
		206-255	Counterclockwise rotation from slow to fast
8	Dimmer	0-255	From dark to bright
9	Strobe	0-3	Strobe dimming
		4-203	Synchro strobe speed
			From slow to fast (1Hz-25Hz)
204-255	Random strobe		
10	R dimming	0-255	From dark to bright
11	G dimming	0-255	From dark to bright
12	B dimming	0-255	From dark to bright
13	W dimming	0-255	From dark to bright
14	Color temperature	0-15	No function
		16-35	R 100%, G up, B 0%
		36-55	R down, G 100%, B 0%
		56-75	R 0%, G 100%, B up

CH	Function	DMX Value	Description
		76-95	R 0%, G down, B 100%
		96-115	R up, G 0%, B100%
		116-135	R 100%, G 0%, B down
		136-155	R 100%, G up, B up
		156-175	R down, G down, B 100%
		176-195	R 100%, G 100%, B 100%, W 100%
		196-200	2800K
		201-205	3200K
		206-210	4000K
		211-215	4500K
		216-220	5000K
		221-225	5600K
		226-230	6500K
		231-235	7000K
		236-240	7500K
		241-255	8000K
15	Macro color	0-9	No function
		10-19	Macro color 1
		20-29	Macro color 2
	 (10 numbers 1 macro color)
		240-249	Macro color 24
		250-255	Macro color 25
16	Static pattern	0-16	No function
		17-33	Monochrome pattern 1
		34-50	Monochrome pattern 2
	(17 numbers 1 pattern)

CH	Function	DMX Value	Description
		153-169	Monochrome pattern 9
		170-186	Mixed color pattern 1
		187-203	Mixed color pattern 2
		204-220	Mixed color pattern 3
		221-237	Mixed color pattern 4
		238-255	Mixed color pattern 5
17	Dynamic pattern	0-9	No function
		10-13	Monochrome dynamic pattern 1
		14-17	Monochrome dynamic pattern 2
	(4 numbers 1 pattern)
		190-193	Monochrome pattern 46
		194-197	Mixed color dynamic pattern 1
		198-201	Mixed color dynamic pattern 2
	(4 numbers 1 pattern)
		246-249	Mixed color dynamic pattern 14
		250-255	Mixed color dynamic pattern 15
18	Pattern movement	0-255	Choose pattern dynamic scene (with 17CH)
19	Dynamic pattern speed	0-9	No function
		10-132	Forward, from fast to slow (with 17CH)
		133-255	Reverse, from slow to fast (with 17CH)
20	Background R	0-255	From dark to bright
21	Background G	0-255	From dark to bright
22	Background B	0-255	From dark to bright

CH	Function	DMX Value	Description
23	Background W	0-255	From dark to bright
24	Dimming Mode	0-49	Mode 1
		50-99	Mode 2
		100-149	Mode 3
		150-255	Mode 4
25	Reset	0-250	No function
		251-255	Reset within 5s

► **33CH Mode**

CH	Function	DMX Value	Description
1	Pan	0-255	Pan adjustment
2	Pan adjust	0-255	Pan fine adjustment
3	Tilt	0-255	Tilt adjustment
4	Tilt adjust	0-255	Tilt fine adjustment
5	Pan/Tilt speed	0-255	From fast to slow
6	Zoom	0-255	From narrow to wide
7	Lens rotation	0-155	0~60°
		156-205	Clockwise infinite rotation from fast to slow
		206-255	Counterclockwise rotation from slow to fast
8	Dimmer	0-255	dark to bright linear dimming
9	Dimmer adjustment	0-255	Dimming fine adjustment
10	Strobe	0-3	Strobe dimming
		4-203	Synchro strobe speed
			From slow to fast (1Hz-25Hz)
204-255	Random strobe		
11	Red	0-255	From dark to bright

12	Red adjust	0-255	Red fine adjustment
13	Green	0-255	From dark to bright
14	Green adjust	0-255	Green fine adjustment
15	Blue	0-255	From dark to bright
16	Blue adjust	0-255	Blue fine adjustment
17	White	0-255	From dark to bright
18	White adjust	0-255	White fine adjustment
19	Dimming Mode	0-49	Mode 1
		50-99	Mode 2
		100-149	Mode 3
		150-255	Mode 4
20	Color temperature	0-15	No function
		16-35	R 100%, G up, B 0%
		36-55	R down, G 100%, B 0%
		56-75	R 0%, G 100%, B up
		76-95	R 0%, G down, B 100%
		96-115	R up, G 0%, B 100%
		116-135	R 100%, G 0%, B down
		136-155	R 100%, G up, B up
		156-175	R down, G down, B 100%
		176-195	R 100% , G 100%, B 100%, W 100%
		196-200	2800K
		201-205	3200K
		206-210	4000K
		211-215	4500K
		216-220	5000K
		221-225	5600K
		226-230	6500K
231-235	7000K		
236-240	7500K		
241-255	8000K		

21	Macro color	0-9	No function
		10-19	Macro color 1
		20-29	Macro color 2
	(10 numbers 1 macro color)
		240-249	Macro color 24
		250-255	Macro color 25
22	Static pattern	0-16	No function
		17-33	Monochrome pattern 1
		34-50	Monochrome pattern 2
	(17 numbers 1 pattern)
		153-169	Monochrome pattern 9
		170-186	Mixed color pattern 1
		187-203	Mixed color pattern 2
		204-220	Mixed color pattern 3
		221-237	Mixed color pattern 4
		238-255	Mixed color pattern 5
23	Dynamic pattern	0-9	No function
		10-13	Monochrome dynamic pattern 1
		14-17	Monochrome dynamic pattern 2
	(4 numbers 1 pattern)
		190-193	Monochrome pattern 46
		194-197	Mixed color dynamic pattern 1
		198-201	Mixed color dynamic pattern 2
	(4 numbers 1 pattern)
		246-249	Mixed color dynamic pattern 14
		250-255	Mixed color dynamic pattern 15
24	Pattern movement	0-255	Choose pattern dynamic scene(with 17CH)

25	Dynamic pattern Speed	0-9	No function
		10-132	Forward, from fast to slow (with 17CH)
		133-255	Reverse, from slow to fast (with 17CH)
26	Pattern fade	0-255	Pattern effect fade
27	Background dimming	0-255	Background 0-100% dimming
28	Background R	0-255	From dark to bright
29	Background G	0-255	From dark to bright
30	Background B	0-255	From dark to bright
31	Background W	0-255	From dark to bright
33	Reset	0-250	No function
		251-255	Reset within 5s

► 81CH Mode

CH	Function	DMX Value	Description
1	Pan	0-255	Pan adjustment
2	Pan adjust	0-255	Pan fine adjustment
3	Tilt	0-255	Tilt adjustment
4	Tilt adjust	0-255	Tilt fine adjustment
5	Pan/Tilt speed	0-255	From fast to slow
6	Zoom	0-255	From narrow to wide
7	Lens rotation	0-155	0~60°
		156-205	Clockwise infinite rotation from fast to slow
		206-255	Counterclockwise rotation from slow to fast
8	Dimmer	0-255	From dark to bright
9	Dimmer adjust	0-255	Dimming fine adjustment
10	Strobe	0-3	Strobe dimming
		4-203	Synchro strobe speed
			From slow to fast (1Hz-25Hz)

CH	Function	DMX Value	Description
		204-255	Random strobe
11	Red	0-255	Red dimming
12	Red adjust	0-255	Red fine adjustment
13	Green	0-255	Green dimming
14	Green adjust	0-255	Green fine adjustment
15	Blue	0-255	Blue dimming
16	Blue adjust	0-255	Blue fine adjustment
17	White	0-255	White dimming
18	White adjust	0-255	White fine adjustment
19	Dimming Mode	0-49	Mode 1
		50-99	Mode 2
		100-149	Mode 3
		150-255	Mode 4
20	Color temperature	0-15	No function
		16-35	R 100%, G up, B0%
		36-55	R down, G 100%, B0%
		56-75	R 0%, G 100%, B up
		76-95	R 0%, G down, B 100%
		96-115	R up, G 0%, B100%
		116-135	R 100%, G 0%, B down
		136-155	R 100%, G up, B up
		156-175	R down, G down, B 100%
		176-195	R 100%, G 100%, B 100%, W 100%
		196-200	2800K
		201-205	3200K
		206-210	4000K
		211-215	4500K
216-220	5000K		
221-225	5600K		
226-230	6500K		

CH	Function	DMX Value	Description
		231-235	7000K
		236-240	7500K
		241-255	8000K
21	Macro color	0-9	No function
		10-19	Macro color 1
		20-29	Macro color 2
	(10 numbers 1 macro color)
		240-249	Macro color 24
		250-255	Macro color 25
22	Static pattern	0-16	No function
		17-33	Monochrome pattern 1
		34-50	Monochrome pattern 2
	(17 numbers 1 pattern)
		153-169	Monochrome pattern 9
		170-186	Mixed color pattern 1
		187-203	Mixed color pattern 2
		204-220	Mixed color pattern 3
		221-237	Mixed color pattern 4
		238-255	Mixed color pattern 5
23	Dynamic pattern	0-9	No function
		10--13	Monochrome dynamic pattern 1
		14-17	Monochrome dynamic pattern 2
	(4 numbers 1 pattern)
		190-193	Monochrome pattern 46
		194-197	Mixed color dynamic pattern 1
		198-201	Mixed color dynamic pattern 2
	(4 numbers 1 pattern)
		246-249	Mixed color dynamic pattern 14
		250-255	Mixed color dynamic pattern 15

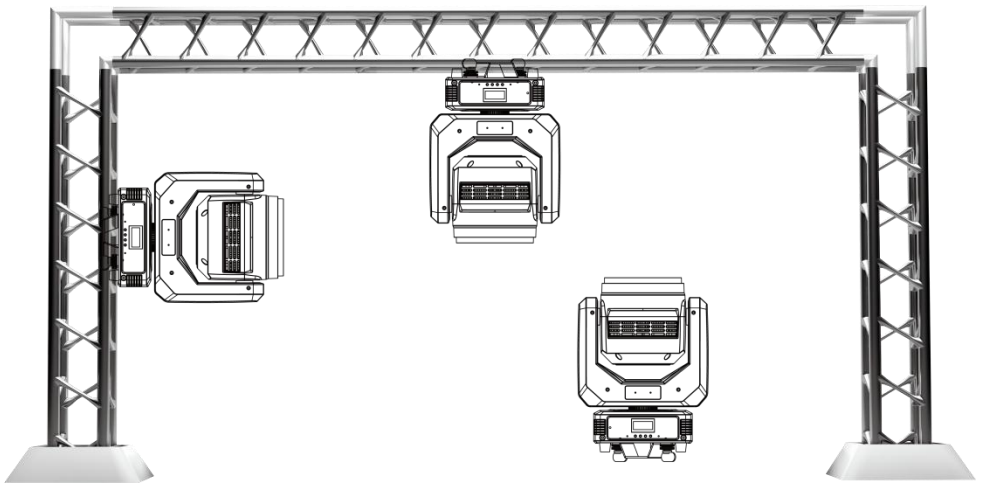
CH	Function	DMX Value	Description
24	Pattern movement	0-255	Choose pattern dynamic scene (with 23CH)
25	Dynamic pattern speed	0-9	No function
		10-132	Forward, from fast to slow (with 23CH)
		133-255	Reverse, from slow to fast (with 23CH)
26	Pattern fade effect	0-255	Pattern effect fade
27	Background dimming	0-255	Background 0-100% dimming
28	Back color R	0-255	dark to bright linear dimming
29	Back color G	0-255	dark to bright linear dimming
30	Back color B	0-255	dark to bright linear dimming
31	Back color W	0-255	dark to bright linear dimming
33	Reset	0-250	No function
		251-255	Reset within 5s
34	R1 LED dimming	0-255	R1 LED dimming
35	G1 LED dimming	0-255	G1 LED dimming
36	B1 LED dimming	0-255	B1 LED dimming
37	W1 LED dimming	0-255	W1 LED dimming
.....
78	R12 LED dimming	0-255	R12 LED dimming
79	G12 LED dimming	0-255	G12 LED dimming
80	B12 LED dimming	0-255	B12 LED dimming
81	W12 LED dimming	0-255	W12 LED dimming

8. Mounting

When installing the unit, the trussing or area of installation must be able to hold

10 times the weight without any deformation. When installing the unit must be secured with a secondary safety attachment, e.g. an appropriate safety cable. Never stand directly under the facility while mounting, uninstalling or repairing facilities.

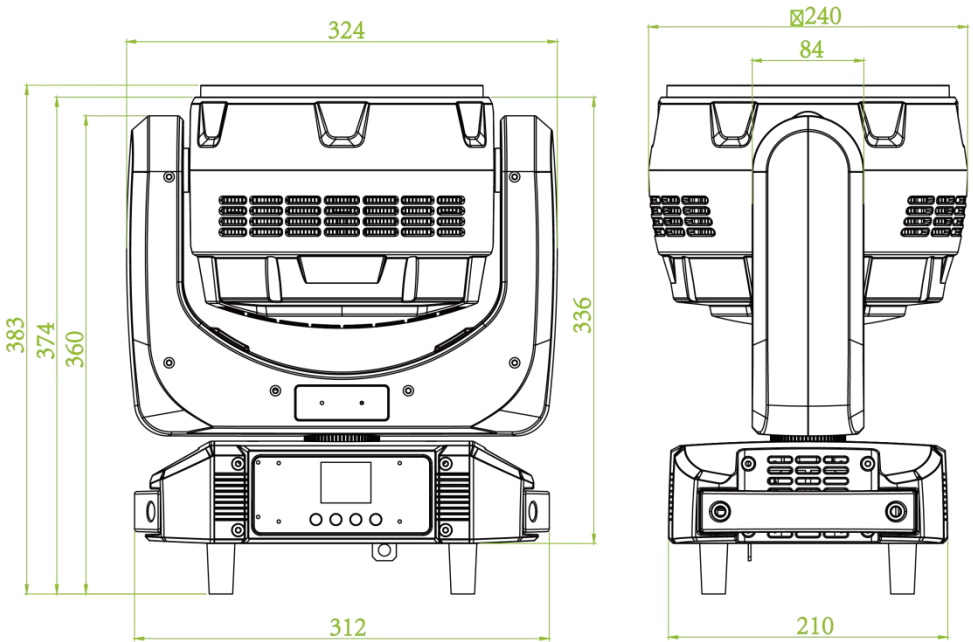
High-altitude mounting requires for extensive experience, including working load limits calculating , installation material, and periodic safety check of installation materials and facilities. If you're lack of mentioned qualifications, do not attempt the installation yourself. These installation should be checked by a skilled person annually.



BEYE-1240 works properly in above different mounting, hanging upside-down from a ceiling, sideways on trussing, or set on smooth horizontal surface. Be sure this facility is at least 12m (40ft) away from flammable materials (decoration etc.). Always use and install the safety cable to prevent accidental damage or injury from the facility failure. Never use handles for secondary attachment.

NOTICE: The suitable environment temperature of the facility is from -25° C to 45° C. Do not place this facility in an environment where the temperatures are under or above the temperatures stated. This will help the fixture run at its best and extend the lifetime.

9. Product Size



10. Attention

1. When the facility is powered on, please avoid looking directly at the facility.
2. When assembling/ replacing LED, be sure to cut off the main power of facilities before opening the cover upon the LED board.

11. Trouble Shooting

Following are a few common problems that may occur during operation. Here are some suggestions for easy troubleshooting:

A. The unit does not work, no light and the fan does not work

1. Check the status of power connection and fuse.
2. Check the voltage.
3. Check the power indicator.

B. No response to DMX controller

1. If the display screen flashes, check the DMX signal connector and signal line whether the connection is correct.
1. If the display screen does not flash, but no response to channel control, check whether the address code or channel setting is correct.
1. If the DMX signal transmission is intermittent, check if the XLR and DMX cables are in good condition.
2. Try using another controller.
3. Check if the DMX cables is too close to the high-voltage wire, which may damage or interfere with the signal circuit.
6. The facility has not completed the self-check.

C. One of the channels is not working well

1. The stepper motor might be damaged or the cable connected to the PCB is broken.
2. The motor's drive IC on the PCB might be out of condition.

12. Fixture Cleaning

The lens and diffuser should be clean frequently to get better light effect. Wipe frequency according to the environment. Humidity, excessive smoke, and dirty environment will make lens dusty.

- Use soft cloth and special glass cleaner.
- Wipe lens surface at least every 30 days.
- Use vacuum cleaners or air guns to clean the interior structure of the facility, at least twice a year.



Warning:

To avoid the danger of lighting strikes and fire, please do not place the facility in a humid environment. Do not disassemble it without permission, otherwise, the manufacturer will not provide warranty. If the facility fails, please contact the manufacturer first.

Product Warranty Card

Product: 12x40W B EYE with Zoom

Model NO.: BEYE-1240

Manufacture Date:

User:

Purchase Date:

Manufacturer:

Sales Store:

Address:

ATTN.:

ATTN.:

Phone:

Phone:

Note: The above blank must be filled in and sealed by the end user or sales point, otherwise no warranty will be provided. (Below please check the warranty period and terms)

Warranty Period: This facility is warranted for 2 years from the date of purchase.

Warranty Terms:

1. Except for man-made damage and natural disasters
2. If the facility fails to function properly during the warranty period, please contact our after service department or our local distributor directly.
 - 1) Fail to present a valid warranty card.
 - 2) Omissions, alterations, and trade sales names on the warranty card.
 - 3) Failures and damage caused by force majeure.
 - 4) Failures and damage caused during transportation and handling.
 - 5) Failures and damage caused by failure to follow the instructions for use.
 - 6) Failures and damage caused by disassembly, repair, and modification of the product without the manufacturer's authorization or by non-professionals.
 - 7) Failures caused by the use of accessories not approved by the factory or not matched by the factory.

▲ Thank you for reading this manual. Please keep it for future reference.